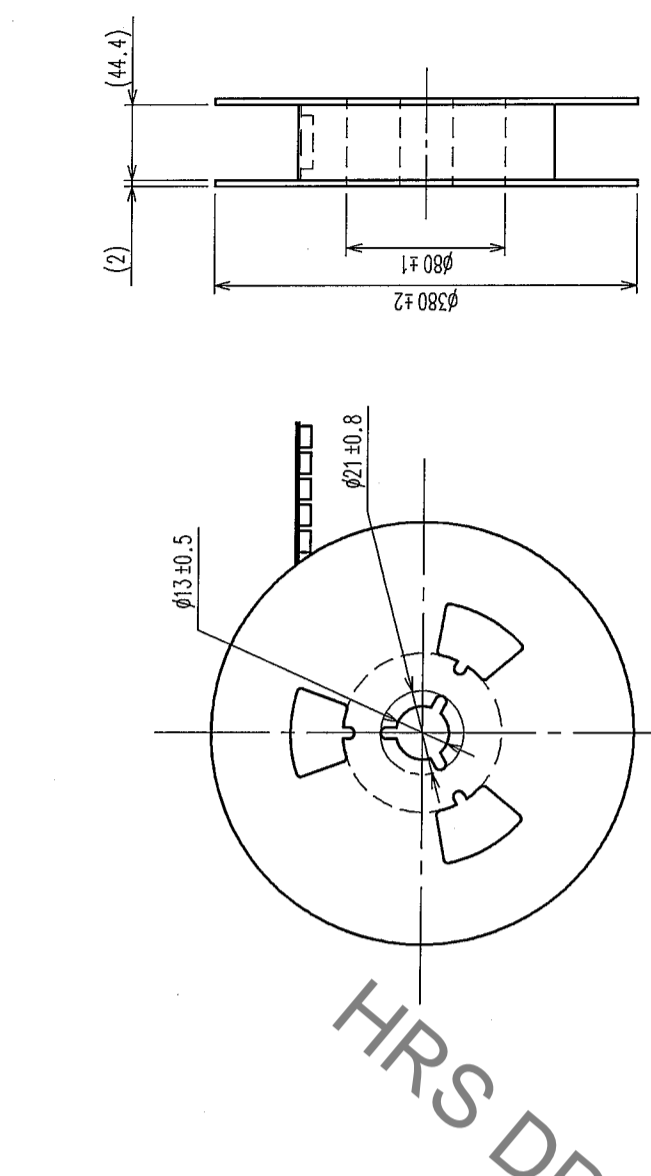
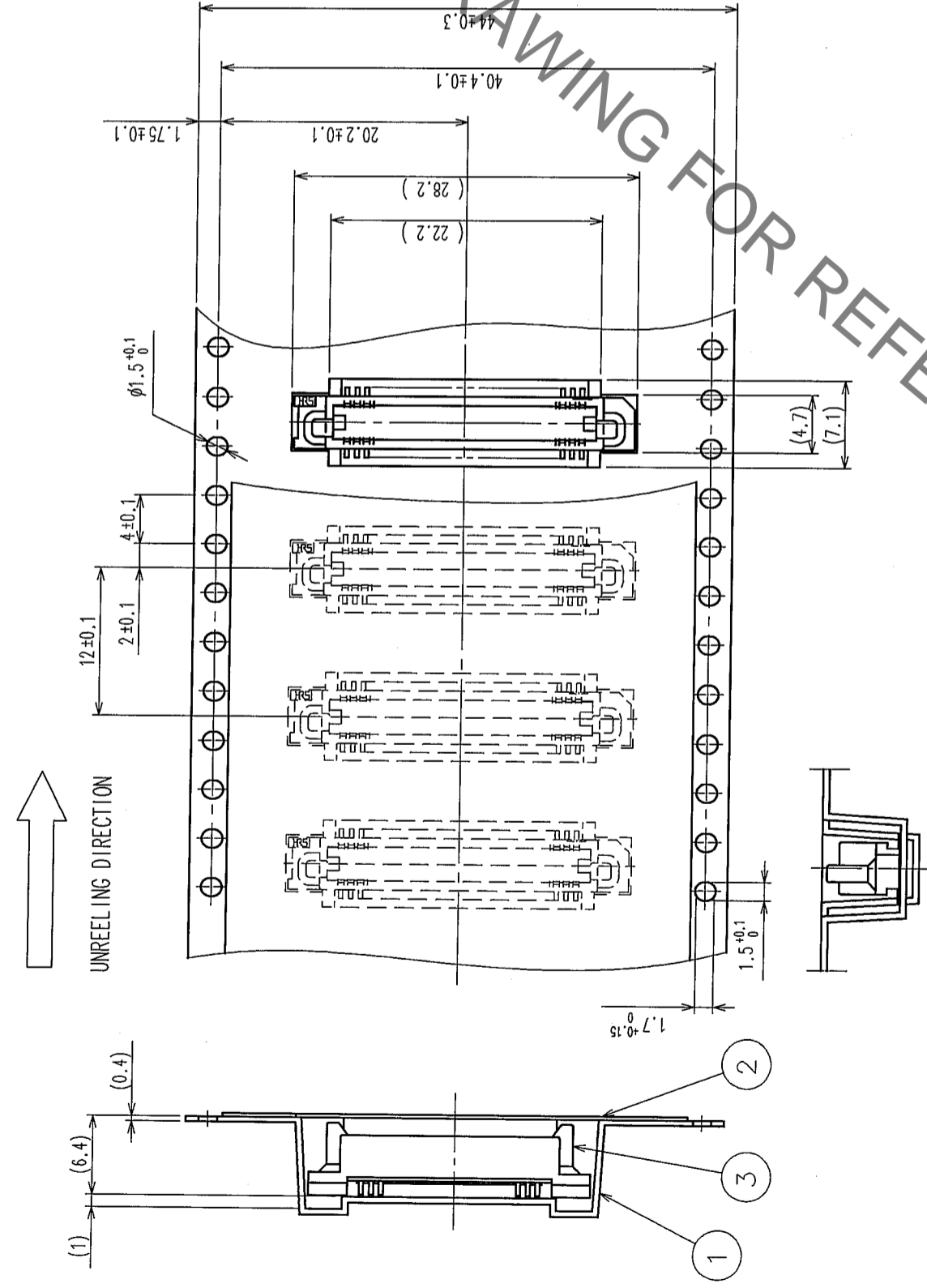




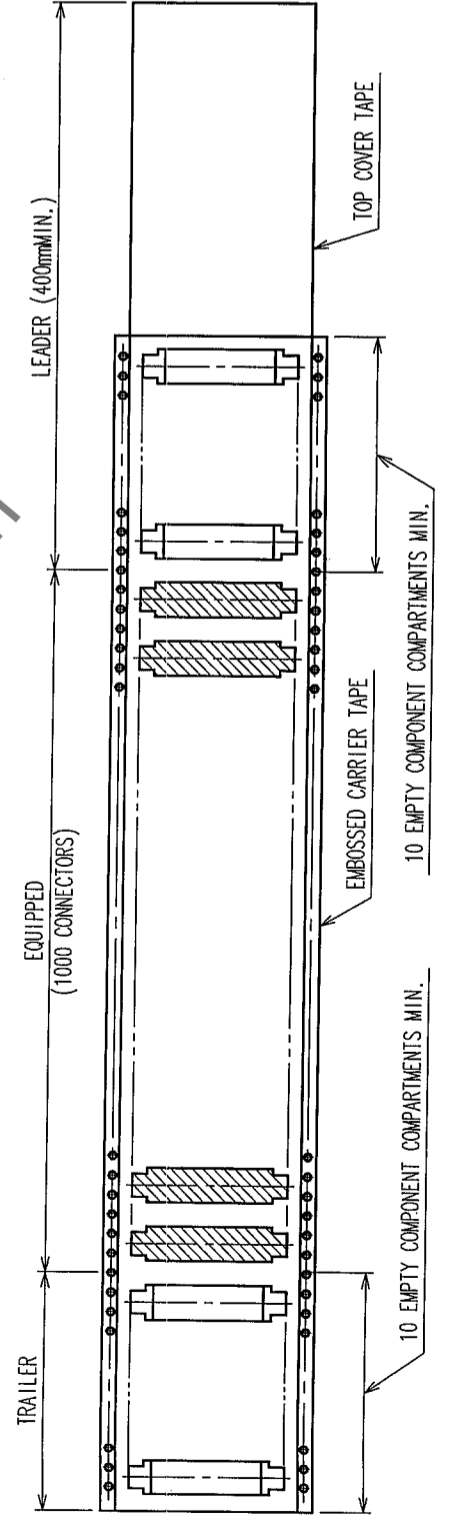
| COUNT |   | DESCRIPTION OF REVISIONS |  | BY | CHKD | DATE |
|-------|---|--------------------------|--|----|------|------|
| △     | △ |                          |  |    |      |      |
| △     | △ |                          |  |    |      |      |
| △     | △ |                          |  |    |      |      |



REEL DIMENSION (FREE)



NOTE 1 THE DIMENSIONS IN PARENTHESES ARE FOR REFERENCE.  
 2 1 REEL : 1000 CONNECTORS



| COUNT |   | DESCRIPTION OF REVISIONS |  | BY | CHKD | DATE |
|-------|---|--------------------------|--|----|------|------|
| △     | △ |                          |  |    |      |      |
| △     | △ |                          |  |    |      |      |
| △     | △ |                          |  |    |      |      |

| 2              | POLYESTER   | TOP COVER TAPE        |     |                 |           |             |
|----------------|-------------|-----------------------|-----|-----------------|-----------|-------------|
| 1              | POLYSTYRENE | EMBOSSED CARRIER TAPE | 3   |                 |           | (CONNECTOR) |
| NO.            | MATERIAL    | FINISH, REMARKS       | NO. | MATERIAL        | DESIGNED  | CHECKED     |
| CL             | CL          |                       |     |                 | Y. AOYAGI | H. KAWA     |
|                |             |                       |     |                 | '05.09.15 | '05.09.26   |
| DRAWING NO.    |             | PART NO.              |     | APPROVED        |           | RELEASED    |
| EDC3-071643-22 |             | FX6A-50P-0.8SV1(92)   |     | H. KAWA         |           |             |
| SCALE          |             | UNITS                 |     | CODE NO.        |           |             |
| 2 : 1          |             | mm                    |     | CL576-0224-8-92 |           | 2           |

HRS

HIROSE ELECTRIC CO., LTD