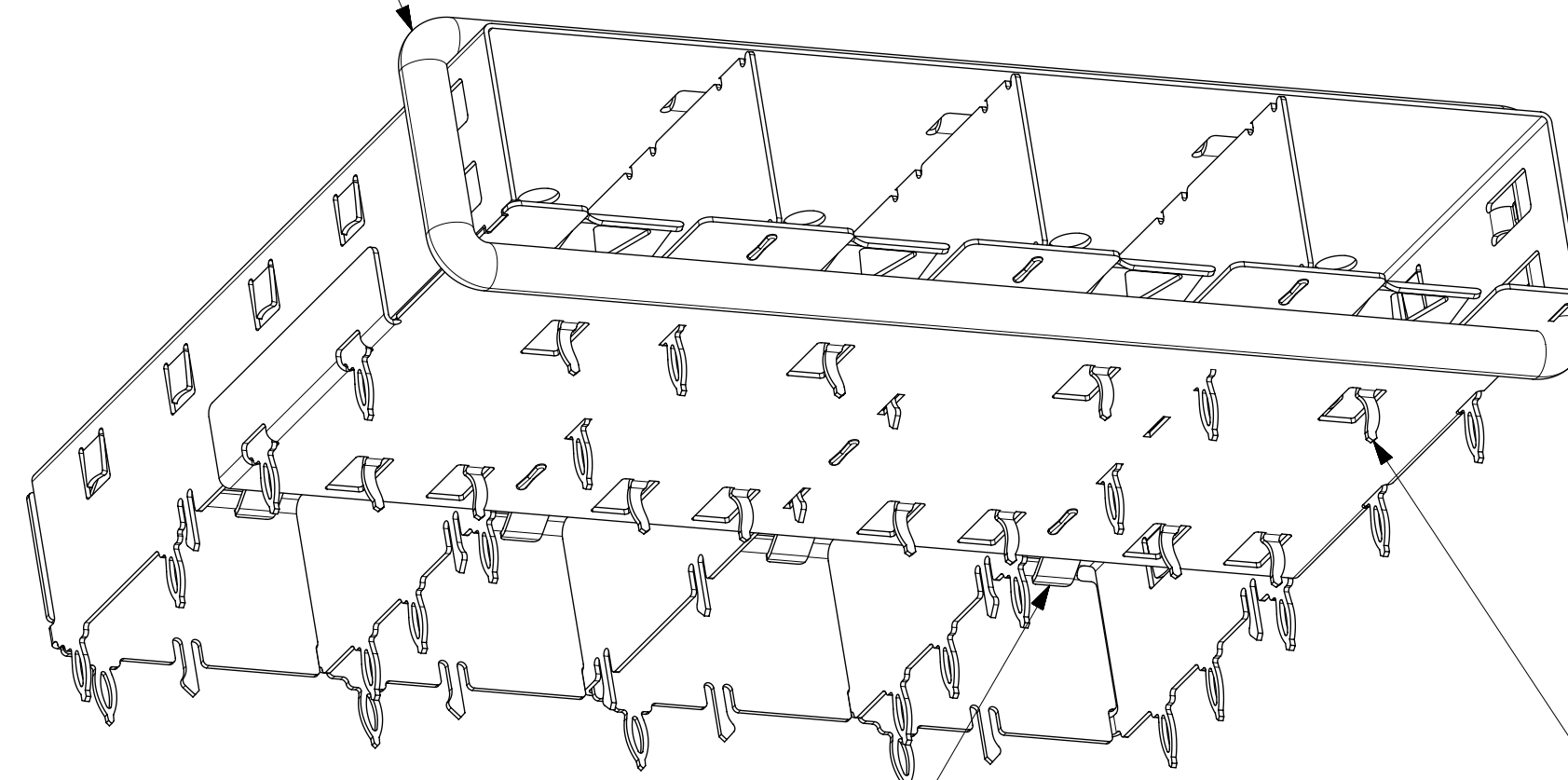


360° ELASTOMER GASKET
COMPLIES WITH (SFP) MSA
BOARD AND BEZEL LOCATIONS

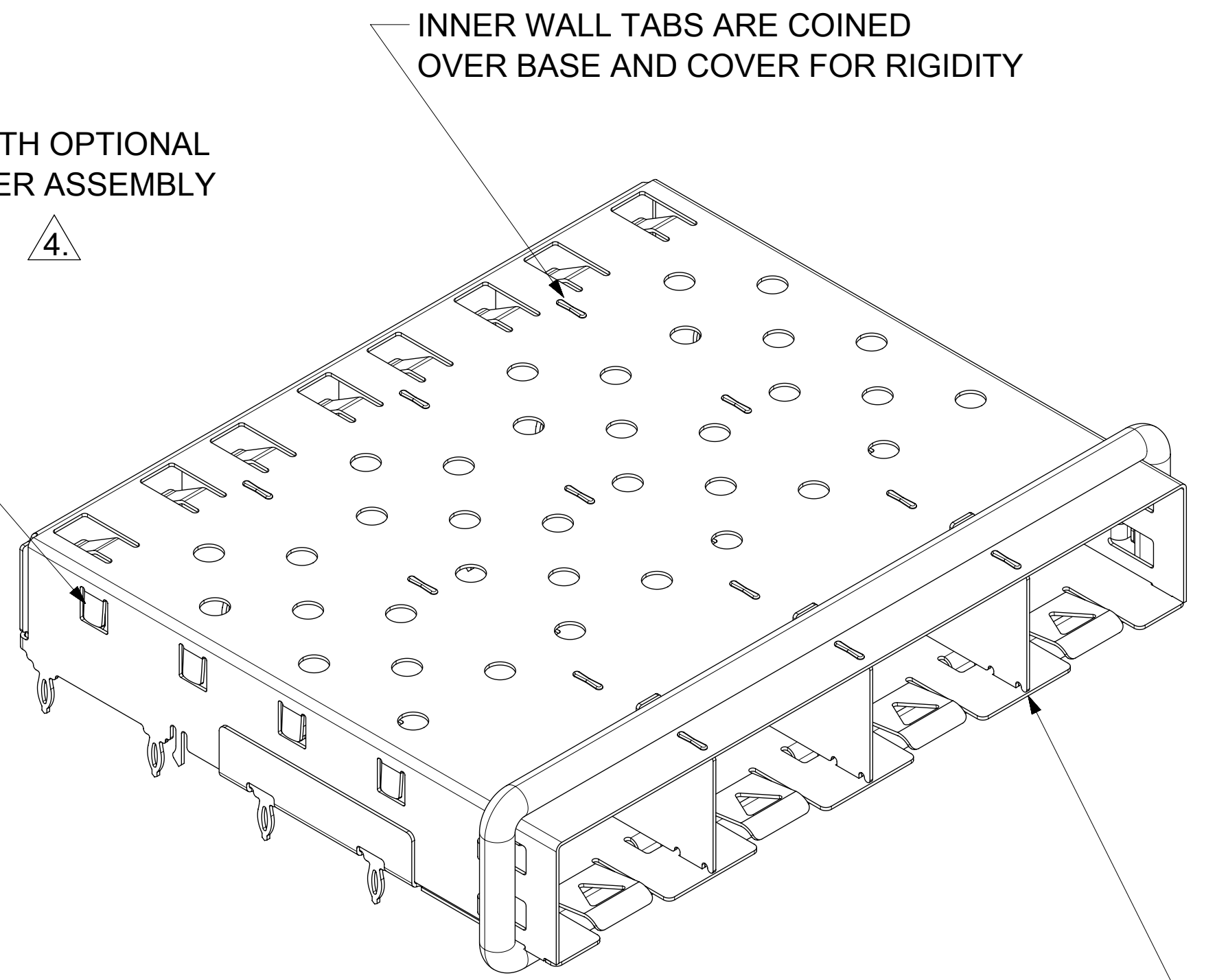


EMI FINGERS
CONTACT ADAPTER

12 UNDER BELLY EMI PINS

HOOKS USED WITH OPTIONAL
LIGHT PIPE COVER ASSEMBLY

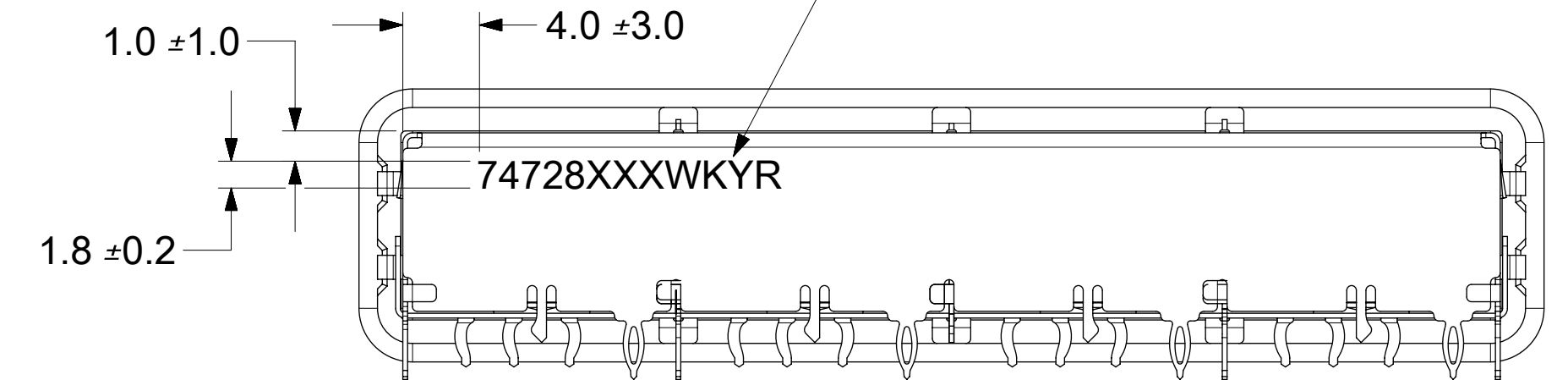
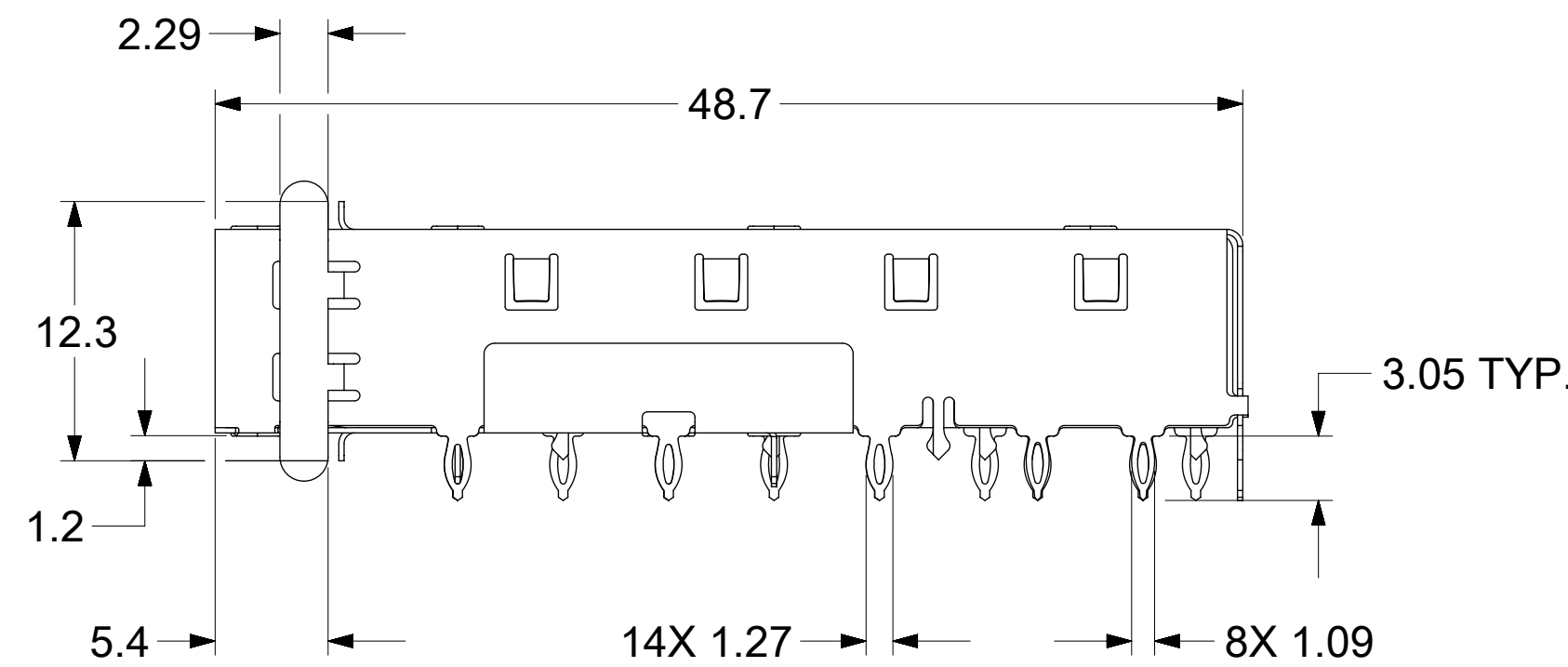
4.



INNER WALL TABS ARE COINED
OVER BASE AND COVER FOR RIGIDITY

DIMENSIONS OF EACH INNER CAGE DESIGNED
TO FUNCTION WITH SMALL FORM-FACTOR
PLUGGABLE (SFP) TRANSCEIVER

PART NO. AND WEEK/YEAR DATE CODE TO BE PRINTED ON
BACK OF CAGE APPROXIMATELY AS SHOWN. SEE TABLE BELOW
FOR DATE CODE INFORMATION.



WEEK/YEAR DATE CODE TABLE	
WK	WEEK OF THE YEAR 01 THRU 52 (EXAMPLE: 01= FIRST WEEK OF YEAR 52= LAST WEEK OF YEAR)
YR	19, 20, 21 ETC.. (EXAMPLE: YEAR 2019= 19)

NOTES:

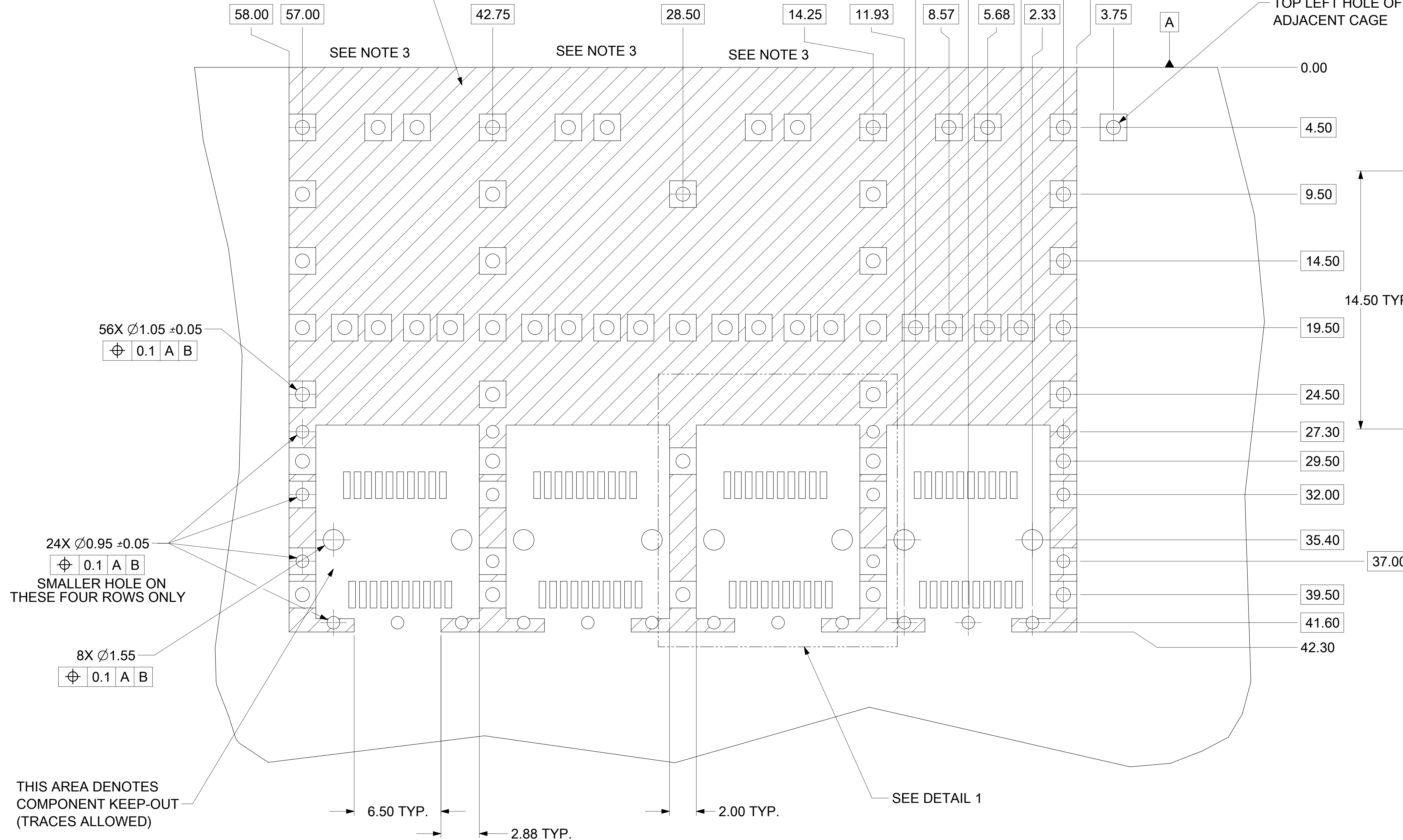
- PRESS FIT LEGS 3.05 LONG-
1.57 MINIMUM PCB THICKNESS FOR SINGLE SIDED USE.
3.00 MINIMUM PCB THICKNESS FOR BELLY TO BELLY USE.
- MATERIAL: COPPER ALLOY
PLATING: NONE.
NOTE: A PRE-PLATED NICKEL VERSION IS AVAILABLE.
REFER TO DOCUMENT SD-74728-420.
ELASTOMER GASKET: SILICON, COLOUR BLACK
- REFERENCE DOCUMENTS:
PRODUCT SPECIFICATION: PS-74728-000.
COSMETIC SPECIFICATIONS: WI-HP-7-2774 AND WI-HPA-7-0093.
TEST SUMMARY: TS-74728-0415.
- MATES WITH SERIES 74728, LIGHT PIPE COVER ASSEMBLY.
- NO RoHS EXEMPTIONS.

PART NUMBER	ELASTOMERIC GASKET FLAMMABILITY RATING
747280415	
747280424	EQUATE TO UL94 V-0

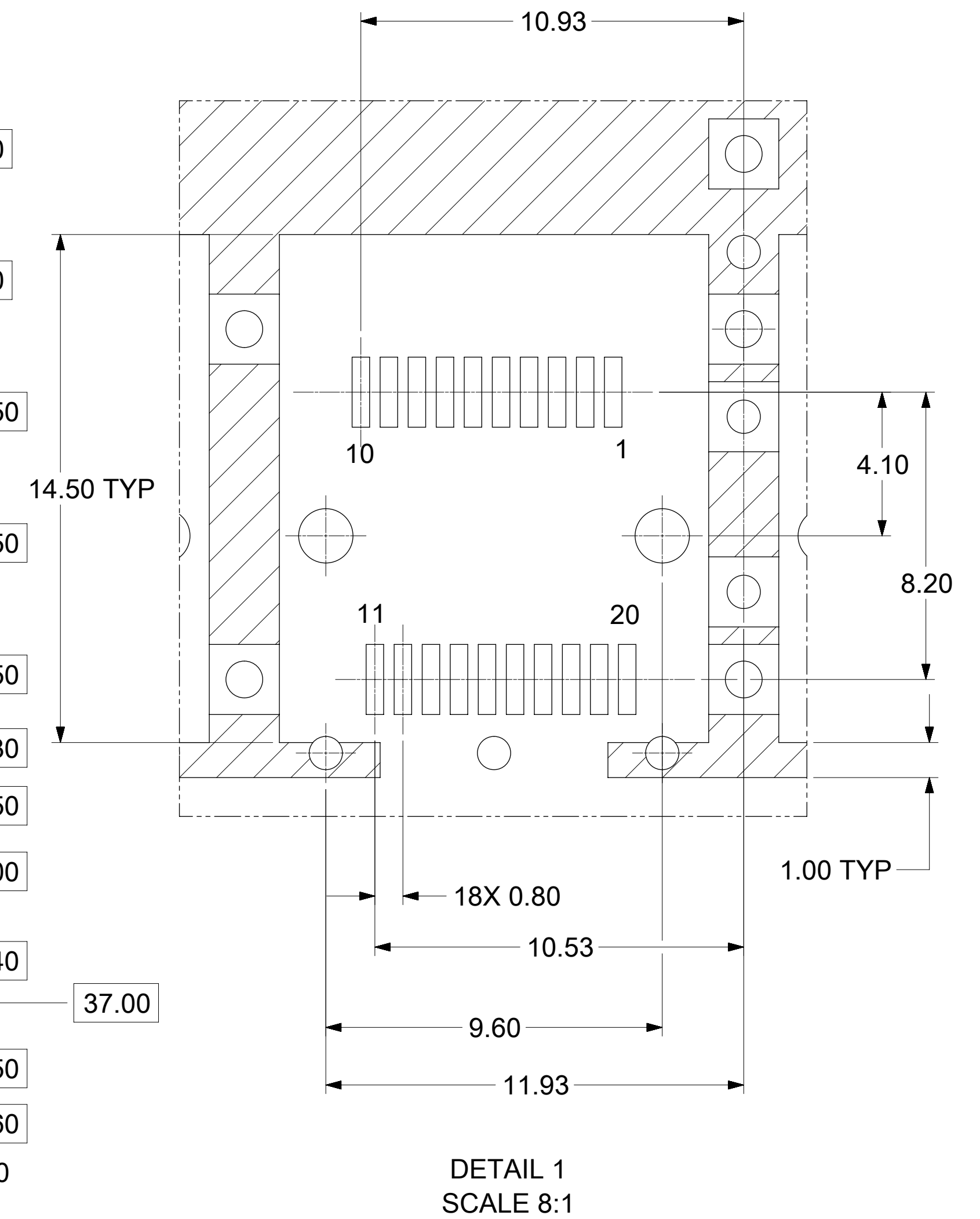
SYMBOLS	THIS DRAWING CONTAINS INFORMATION THAT IS PROPRIETARY TO MOLEX ELECTRONIC TECHNOLOGIES, LLC AND SHOULD NOT BE USED WITHOUT WRITTEN PERMISSION		CURRENT REV DESC:		molex	
▽ = 0	DIMENSION UNITS	SCALE				
▽ = 0	mm	3:1				
▽ = 0	GENERAL TOLERANCES (UNLESS SPECIFIED)					
▽ = 0	ANGULAR TOL	± 1.0°				
▽ = 0	4 PLACES	±				
▽ = 0	3 PLACES	±				
▽ = 0	2 PLACES	± 0.13				
▽ = 0	1 PLACE	± 0.25				
▽ = 0	0 PLACES	±				
■ = 0	DRAFT WHERE APPLICABLE MUST REMAIN WITHIN DIMENSIONS		THIRD ANGLE PROJECTION			
▽ = 0			DRAWING			
		D-SIZE		SERIES		
				74728		
		SEE P/N TABLE		MATERIAL NUMBER		
				CUSTOMER		
				SHEET NUMBER		
				1 OF 5		

PCB LAYOUT FOR BELLY TO BELLY MOUNTING

CROSS-HATCHED AREA DENOTES COMPONENT AND TRACE KEEP-OUT (EXCEPT CHASSIS GROUND)



HOST CONNECTOR DETAIL



DETAIL 1 SCALE 8:1

NOTES:

1. PADS AND VIAS GO TO CHASSIS GROUND, (64 PLACES). RECOMMENDED PADS TO BE 2mm SQUARE
2. PLATING OPTIONAL FOR THROUGH HOLES, (16 PLACES).
3. RECOMMENDED PLATING INCLUDES HASL, IMMERSION (GOLD, SILVER, OR TIN), AND OSP.
4. HOLE PATTERN REPEATS FOR EACH PORT, SPACING BETWEEN PORTS IS 14.25

SYMBOLS		THIS DRAWING CONTAINS INFORMATION THAT IS PROPRIETARY TO MOLEX ELECTRONIC TECHNOLOGIES, LLC AND SHOULD NOT BE USED WITHOUT WRITTEN PERMISSION	
▽ = 0	DIMENSION UNITS	SCALE	CURRENT REV DESC:
▽ = 0	mm	6:1	
▽ = 0	GENERAL TOLERANCES (UNLESS SPECIFIED)		EC NO: 629124
▽ = 0	ANGULAR TOL ± 1.0°		DRWN: DKUMARG 2019/11/28
▽ = 0	4 PLACES	±	CHK'D: TKUMARKC 2019/12/13
▽ = 0	3 PLACES	±	APPR: JCHIANG 2019/12/13
▽ = 0	2 PLACES	± 0.13	INITIAL REVISION:
▽ = 0	1 PLACE	± 0.25	DRWN: PMAHADEVAPPA 2018/12/14
▽ = 0	0 PLACES	±	APPR: RCHEN08 2019/01/15
▽ = 0	DRAFT WHERE APPLICABLE MUST REMAIN WITHIN DIMENSIONS	THIRD ANGLE PROJECTION	DRAWING SERIES
▽ = 0		D-SIZE	74728
DOCUMENT STATUS		DOCUMENT NUMBER	DOC TYPE
P1	RELEASE DATE	747280415	PSD
	2019/12/13 09:18:51		ASY
		CUSTOMER	REVISION
		SEE P/N TABLE	D1
		SHEET NUMBER	
		2 OF 5	

molex

1X4 SFP GANGED CAGE ASSY, W/ 0.103 GASKET PRESS FIT, F/ LIGHT PIPE

PRODUCT CUSTOMER DRAWING

DOCUMENT NUMBER DOC TYPE DOC PART REVISION

747280415

PSD ASY D1

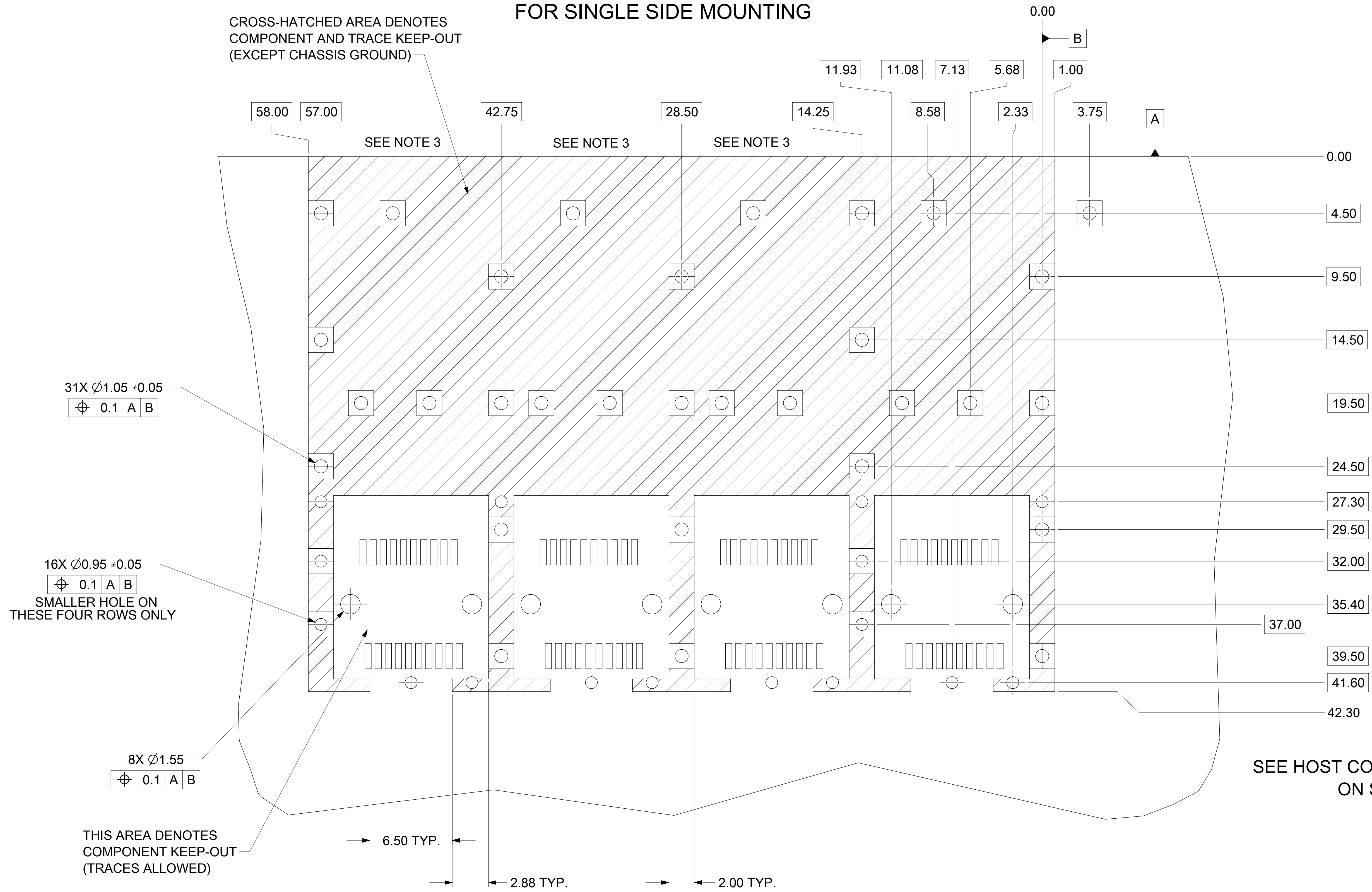
MATERIAL NUMBER CUSTOMER SHEET NUMBER

SEE P/N TABLE

2 OF 5

PCB LAYOUT FOR SINGLE SIDE MOUNTING

CROSS-HATCHED AREA DENOTES
COMPONENT AND TRACE KEEP-OUT
(EXCEPT CHASSIS GROUND)

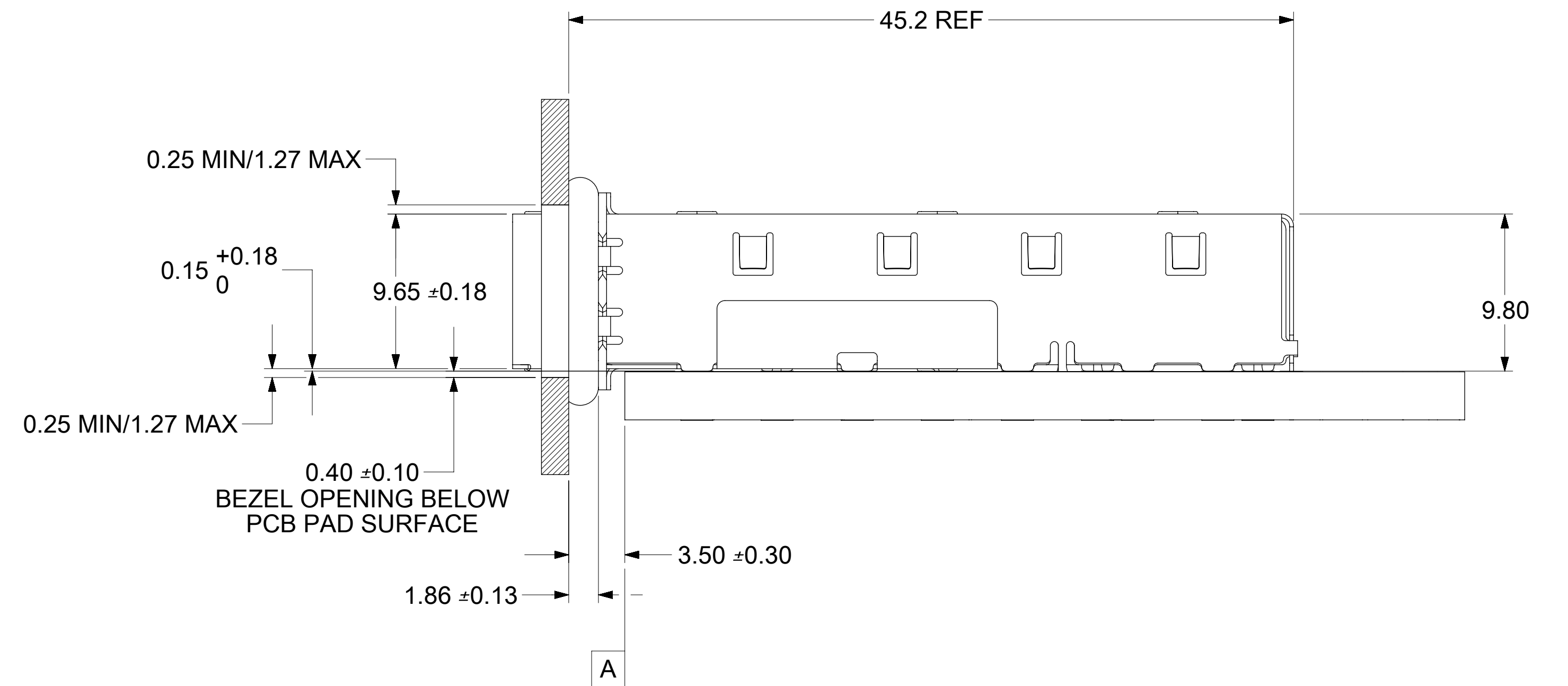
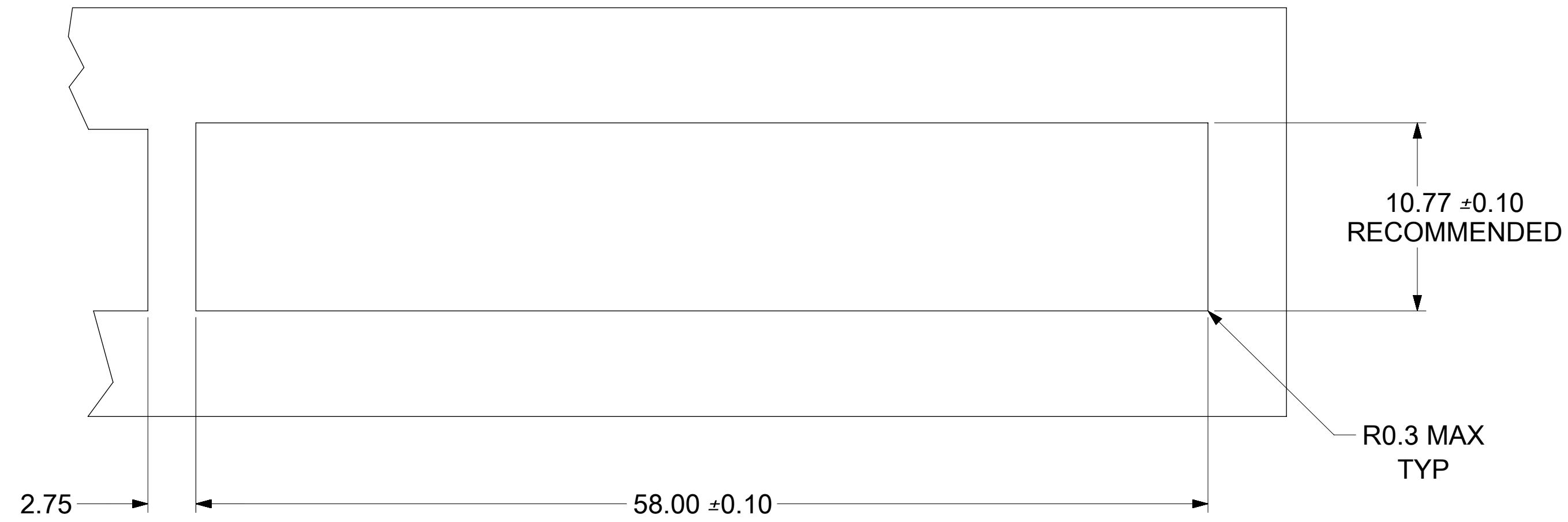


SEE HOST CONNECTOR DETAIL
ON SHEET 2

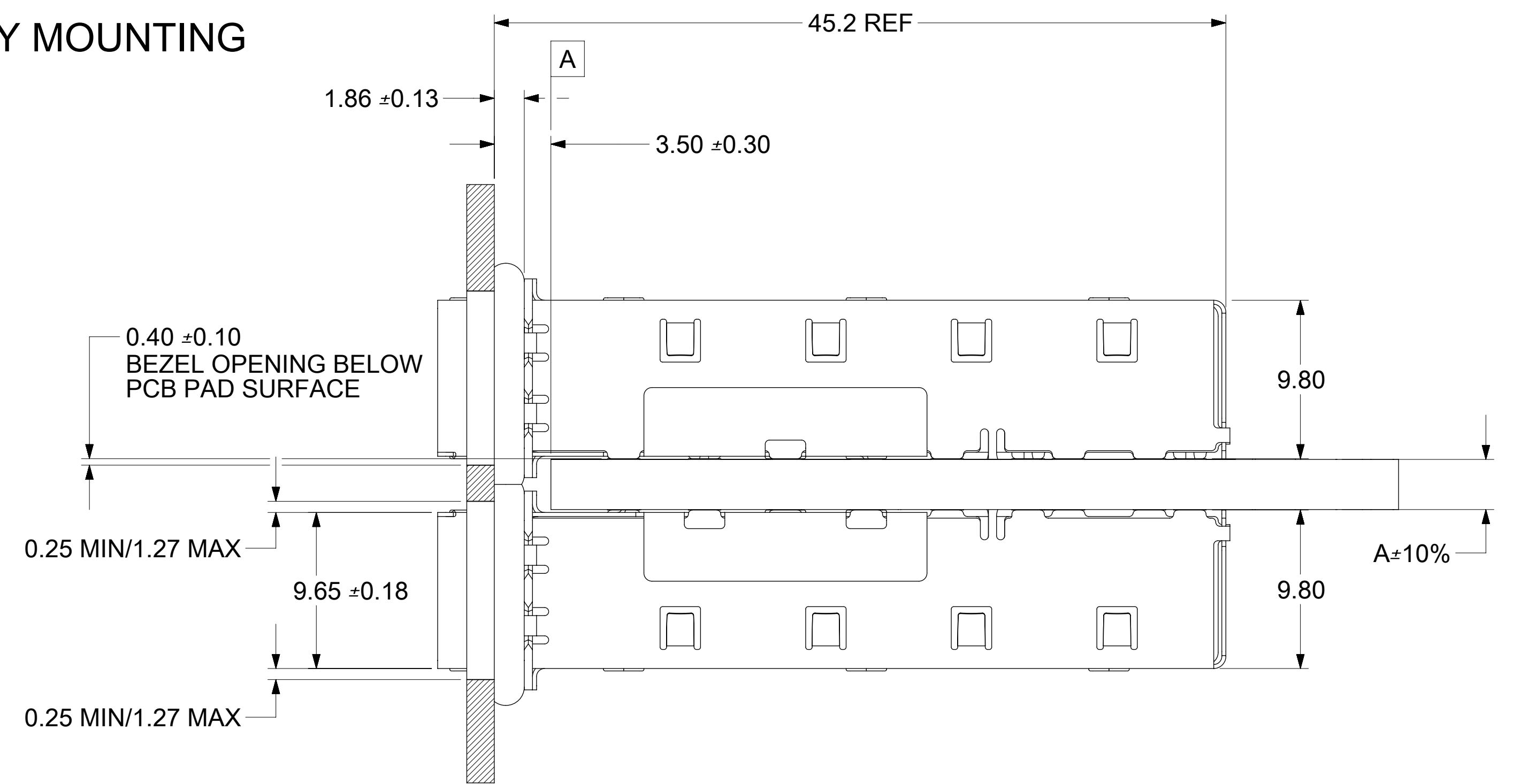
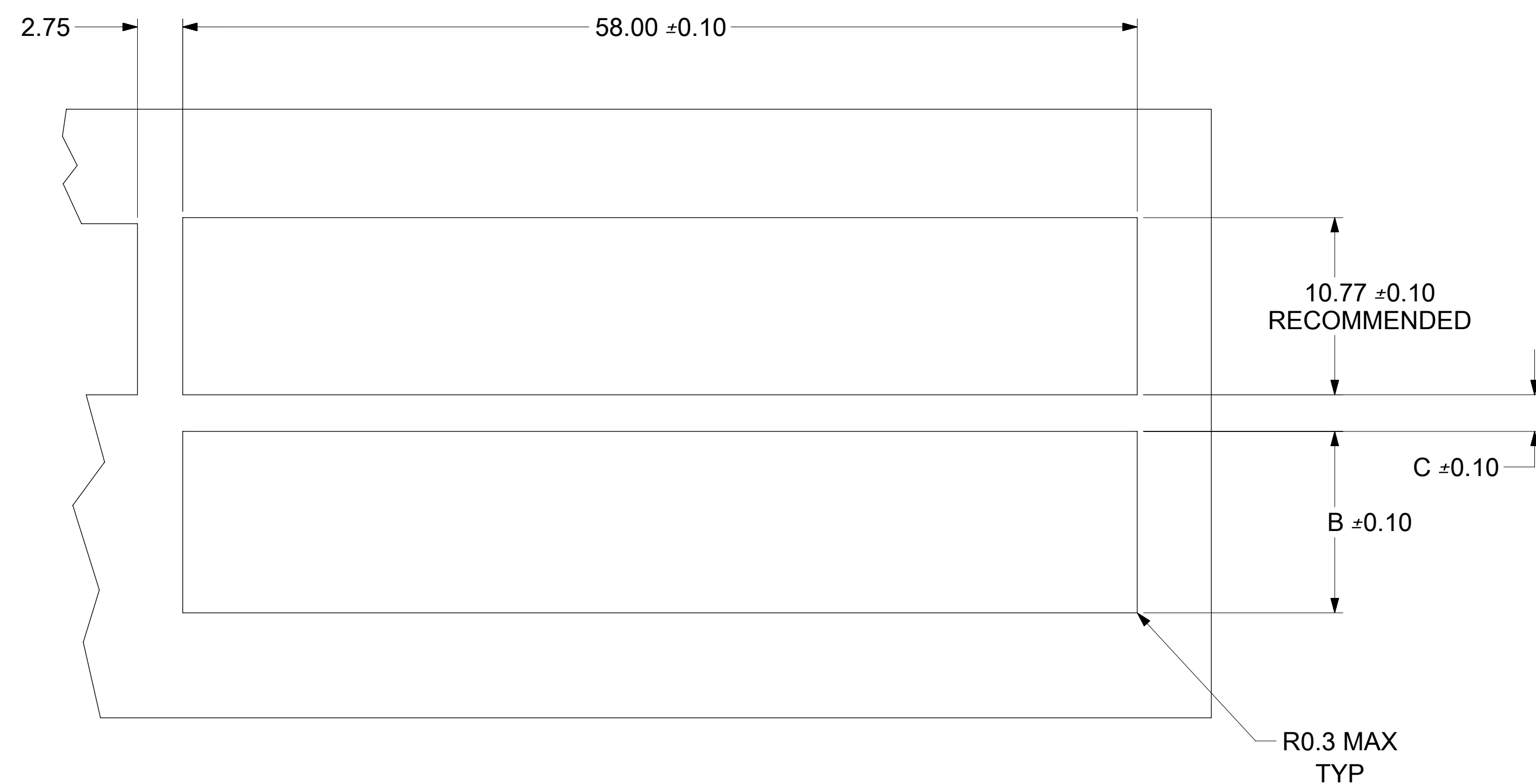
- NOTES:**
- PADS AND VIAS GO TO CHASSIS GROUND, (34 PLACES). RECOMMENDED PADS TO BE 2mm SQUARE
 - PLATING OPTIONAL FOR THROUGH HOLES, (12 PLACES).
 - RECOMMENDED PLATING INCLUDES HASL, IMMERSION (GOLD, SILVER, OR TIN), AND OSP.
 - HOLE PATTERN REPEATS FOR EACH PORT, SPACING BETWEEN PORTS IS 14.25

SYMBOLS	THIS DRAWING CONTAINS INFORMATION THAT IS PROPRIETARY TO MOLEX ELECTRONIC TECHNOLOGIES, LLC AND SHOULD NOT BE USED WITHOUT WRITTEN PERMISSION										
	DIMENSION UNITS	SCALE	CURRENT REV DESC:								
▽ = 0	mm	6:1	<p style="text-align: center; font-weight: bold; font-size: 14px;">molex</p> <p style="text-align: center; font-size: 10px;">1X4 SFP GANGED CAGE ASSY, W/ 0.103 GASKET PRESS FIT, F/ LIGHT PIPE</p> <p style="text-align: center; font-weight: bold; font-size: 10px;">PRODUCT CUSTOMER DRAWING</p> <table border="1" style="width: 100%; border-collapse: collapse; font-size: 8px;"> <tr> <td style="width: 60%;">DOCUMENT NUMBER</td> <td style="width: 10%;">DOC TYPE</td> <td style="width: 10%;">DOC PART</td> <td style="width: 20%;">REVISION</td> </tr> <tr> <td style="text-align: center; font-weight: bold; font-size: 12px;">747280415</td> <td style="text-align: center;">PSD</td> <td style="text-align: center;">ASY</td> <td style="text-align: center; font-weight: bold; font-size: 12px;">D1</td> </tr> </table>	DOCUMENT NUMBER	DOC TYPE	DOC PART	REVISION	747280415	PSD	ASY	D1
DOCUMENT NUMBER	DOC TYPE	DOC PART		REVISION							
747280415	PSD	ASY		D1							
▽ = 0	GENERAL TOLERANCES (UNLESS SPECIFIED)										
▽ = 0	ANGULAR TOL ± 1.0°										
▽ = 0	4 PLACES ±										
▽ = 0	3 PLACES ±										
▽ = 0	2 PLACES ± 0.13										
▽ = 0	1 PLACE ± 0.25										
▽ = 0	0 PLACES ±										
▽ = 0	DRAFT WHERE APPLICABLE MUST REMAIN WITHIN DIMENSIONS										
▽ = 0	THIRD ANGLE PROJECTION	DRAWING	SERIES								
	D-SIZE	74728	SEE P/N TABLE								

BEZEL AND BOARD POSITION DIMENSIONS FOR SINGLE SIDE MOUNTING



BEZEL AND BOARD POSITION DIMENSIONS FOR BELLY TO BELLY MOUNTING



NOTE:

- FOR A GIVEN BOARD THICKNESS (A), DIMENSIONS (B) AND (C) ARE DIRECTLY AFFECTED.
- USE RECOMMENDED DIMENSIONS AND TOLERANCES TO AID IN DEVELOPING BEZEL OPENING.
- FOR EXAMPLE USING A BOARD THICKNESS OF 3.175 THE RECOMMENDED VALUES WOULD BE:

A = 3.18 ± 10%
 B = 11.03 ± 0.10
 C = 2.23 ± 0.10

SYMBOLS				THIS DRAWING CONTAINS INFORMATION THAT IS PROPRIETARY TO MOLEX ELECTRONIC TECHNOLOGIES, LLC AND SHOULD NOT BE USED WITHOUT WRITTEN PERMISSION			
DIMENSION UNITS		SCALE		CURRENT REV DESC:			
mm		4:1		EC NO: 629124			
GENERAL TOLERANCES (UNLESS SPECIFIED)				DRWN: DKUMARG		2019/11/28	
ANGULAR TOL ± 1.0°				CHK'D: TKUMARKC		2019/12/13	
4 PLACES ±				APPR: JCHIANG		2019/12/13	
3 PLACES ±				INITIAL REVISION:			
2 PLACES ± 0.13				DRWN: PMAHADEVAPPA		2018/12/14	
1 PLACE ± 0.25				APPR: RCHEN08		2019/01/15	
0 PLACES ±				DRAFT WHERE APPLICABLE MUST REMAIN WITHIN DIMENSIONS		THIRD ANGLE PROJECTION	
DRAWING		SERIES		MATERIAL NUMBER		CUSTOMER	
D-SIZE		74728		SEE P/N TABLE		SHEET NUMBER	

molex

1X4 SFP GANGED CAGE
 ASSY, W/ 0.103 GASKET PRESS FIT, F/ LIGHT PIPE

PRODUCT CUSTOMER DRAWING

DOCUMENT NUMBER

747280415

DOC TYPE

PSD ASY D1

REVISION

SHEET NUMBER

4 OF 5

