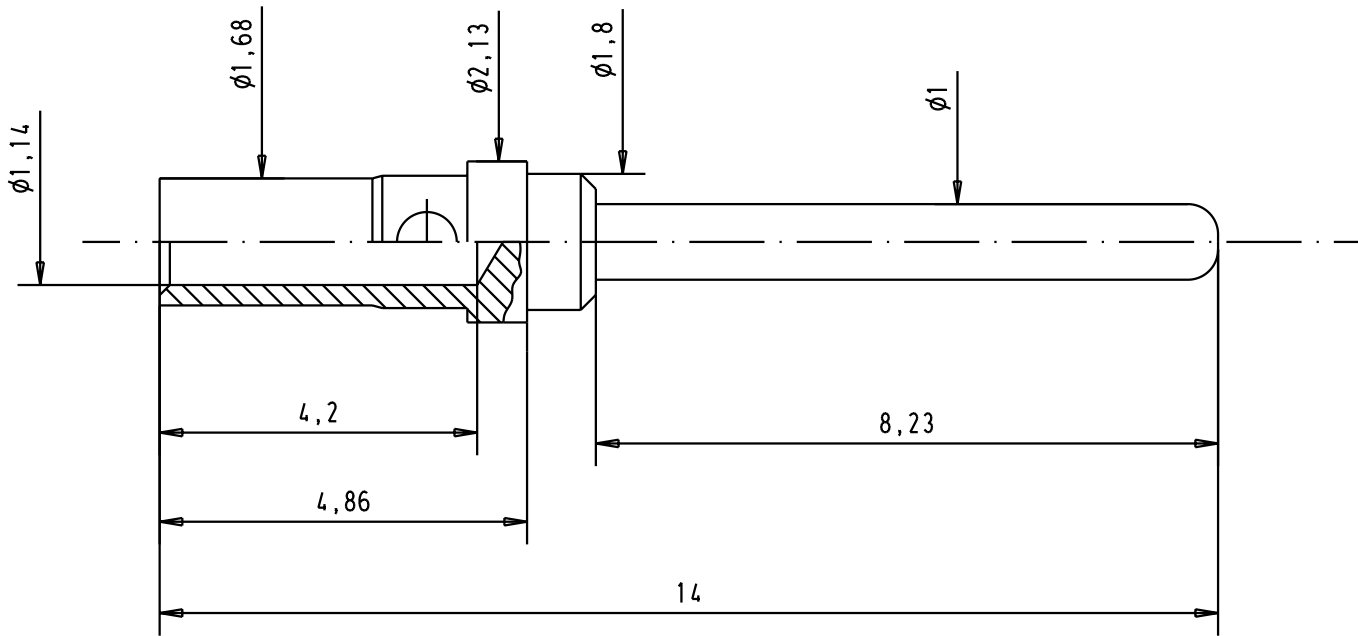


D



C

B

A



crimping of AWG 20-24: hand tool with positioner 09 99 000 0505

							 All Dim. in mm Orig. Size DIN A 4	Male turned signal contact, with crimp termination for AWG 20-24	Maßstab/ Scale 10:1
09692827310	0,2 µm Au					HARTING EURL F-95972 Paris 	TB 09 69 282 x310	Blatt/ Page 1 / 1	
09692825310	0,8 µm Au	31062	18-JUL-02	CV					
Part number	Gold plating (over Nickel)	Mod.	Dat.	Name			Sub.		