

6

5

4

3

2

1

E

E

D

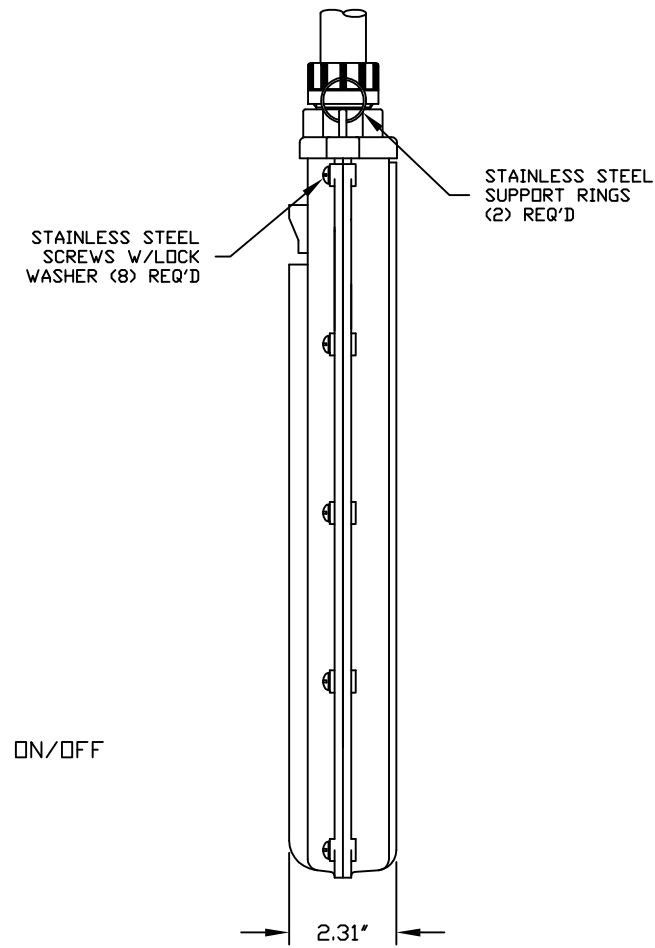
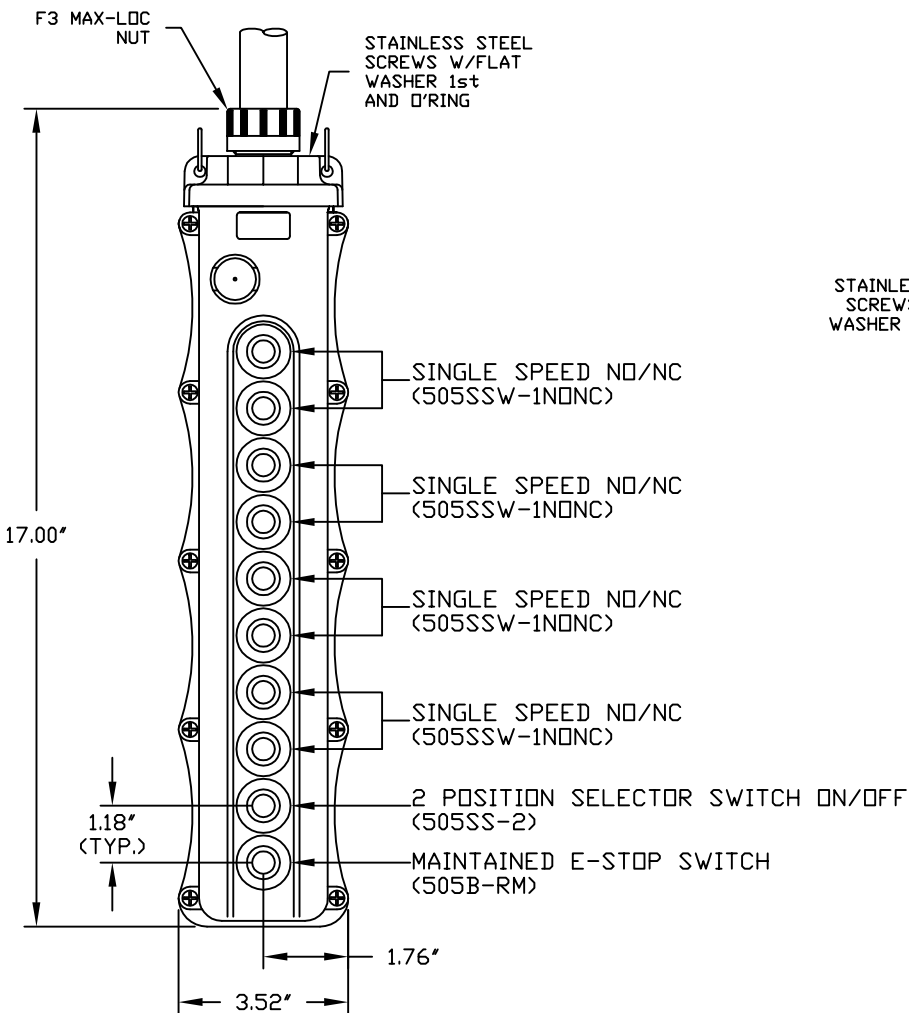
D

C

C

B

B



NOTES:  
 1. INSTALLATION INSTRUCTIONS, BUTTON ID. LABELS. ARE PACK WITH THE PART.  
 2. ALL BUTTONS ARE HIGH AMBIENT, CHEMICALLY RESISTANT MATERIAL - COLOR BLACK

RELEASE DRAWING EC NO: WNA2009-0623 DRWN: TVICKERS 3/26/09 CHKD: HK 2008/12/16 APPR: DITLUS 2009/04/01	QUALITY SYMBOLS ▽=0 ∇=0	GENERAL TOLERANCES (UNLESS SPECIFIED)		DIMENSION STYLE INCH		SCALE NTS	DESIGN UNITS INCH	THIRD ANGLE PROJECTION		
			mm	INCH	DRAWN BY TV	DATE 2009/03/26	TITLE 5060 W/(4) AB2 L2 & SM E-STOP			
		4 PLACES	±----	±----	CHECKED BY HK	DATE 2009/03/26	<b>MOLEX INCORPORATED</b>			
		3 PLACES	±----	±.020	APPROVED BY DT	DATE 2009/03/26				
2 PLACES	±----	±.010	ANGULAR ±5°		MATERIAL NO. 1301260309		DOCUMENT NO. SD-130126-025	SHEET NO. 1 OF 1		
1 PLACE	±----	±.005	DRAFT WHERE APPLICABLE MUST REMAIN WITHIN DIMENSIONS		THIS DRAWING CONTAINS INFORMATION THAT IS PROPRIETARY TO MOLEX INCORPORATED AND SHOULD NOT BE USED WITHOUT WRITTEN PERMISSION					
A				SIZE A						

6

5

4

3

2

1

A

A