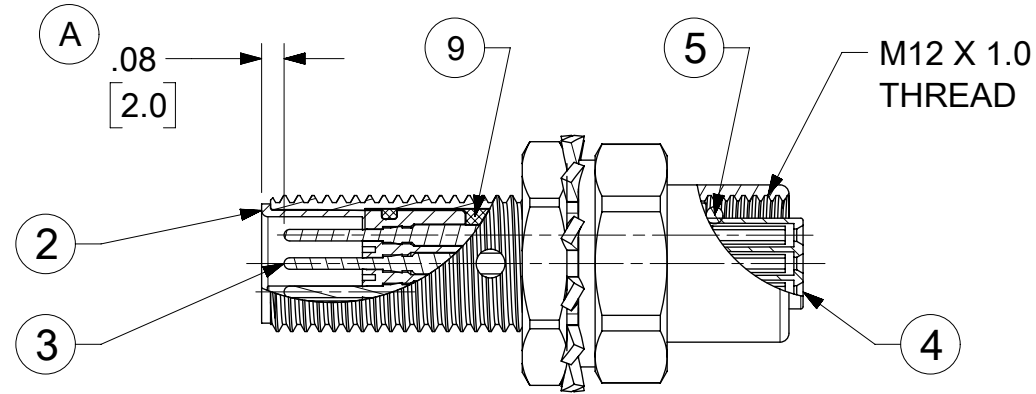
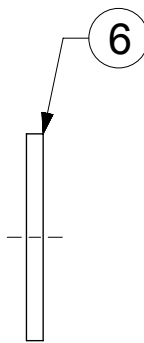
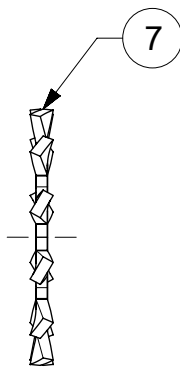
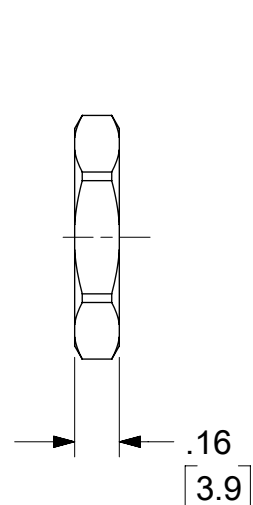
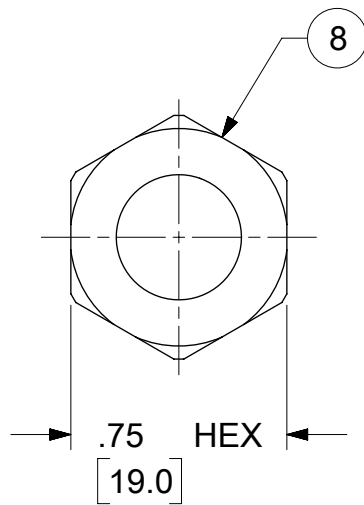
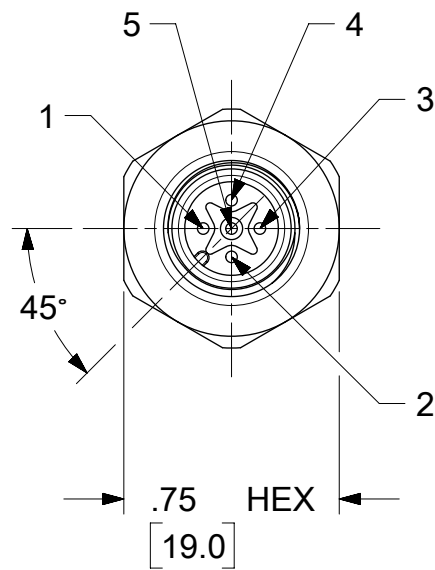
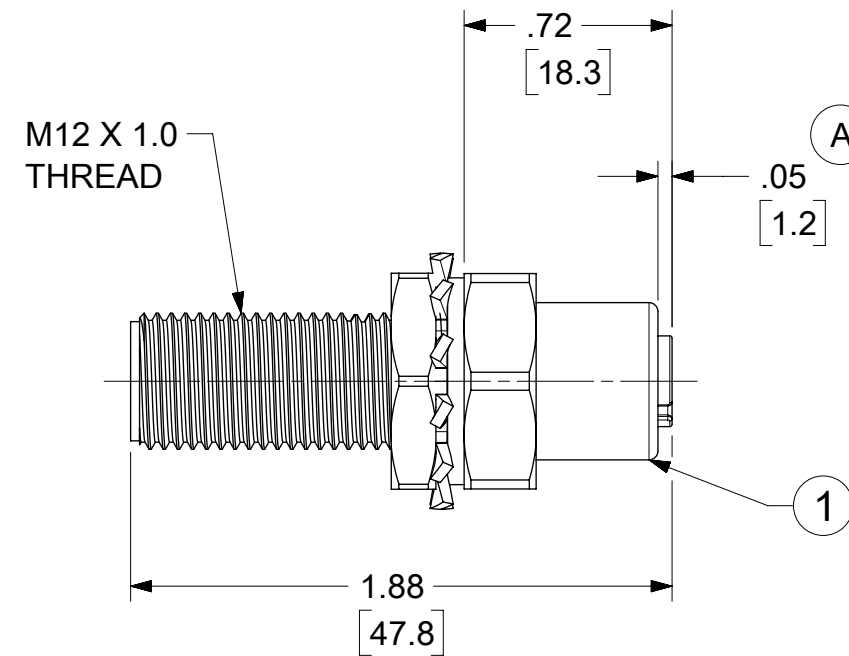
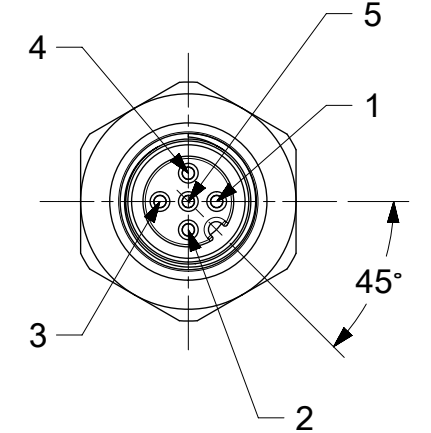


(A) REF. THIS DRAWING SUPERSEDES SD-120070-018 REV-A

MALE FACE VIEW



FEMALE FACE VIEW



9	POTTING	EPOXY	
8	HEXNUT	BRASS	NICKEL PLATED
7	LOCK-WASHER	STEEL	ZINC PLATED
6	GASKET	RUBBER	BLACK
5	O-RING	NITRILE	RED
4	FEMALE INSERT	NYLON	BLACK
3	PIN/SOCKET CONTACT	Cu ALLOY	GOLD PLATED
2	MALE INSERT	NYLON	BLACK
1	RECEPTACLE SHELL	BRASS	NICKEL PLATED
ITEM	DESCRIPTION	MATERIAL	FINISH

- NOTES:
1. MATERIAL: AS NOTED
 2. FINISH: AS NOTED
 3. ELECTRICAL:
VOLTAGE; 60V AC/DC
CURRENT: 4A
 4. TEMP RATING: -25° TO +80°C
 5. PROTECTION: IP67 (WHEN MATED)
 6. ALL DIMS ARE FOR REFERENCE UNLESS TOLERANCED OR NOTED OTHERWISE

PART NO.	ENG. NO.
1200700237	8R5L30

FUNCTIONAL DIMENSION SYMBOLS		THIS DRAWING CONTAINS INFORMATION THAT IS PROPRIETARY TO MOLEX ELECTRONIC TECHNOLOGIES, LLC AND SHOULD NOT BE USED WITHOUT WRITTEN PERMISSION		CURRENT REV DESC: REDRAWN, REPLACES SD-120070-018, UPDATE BOM TABLE, ADD BALLOONS	
$\nabla F = 0$	INCH/MM	SCALE	1.5:1	EC NO: 687312	
$\nabla E = 0$	GENERAL TOLERANCES (UNLESS SPECIFIED)			DRWN: RSTONE 2021/11/29	
$\nabla E = 0$				CHK'D: MZIELINSKI 2021/12/02	
DIVISIONAL SYMBOLS			MM	INCH	APPR: BWOODMAN 2021/12/07
			4 PLACES ±	±	INITIAL REVISION:
			3 PLACES ±	±	DRWN: LSTEMMLE 2010/02/17
			2 PLACES ±	±	APPR: FPACHER 2010/02/19
			1 PLACE ±	±	THIRD ANGLE PROJECTION
			0 PLACES ±	±	DRAWING
ANGULAR TOL ± °			SERIES		
DRAFT WHERE APPLICABLE MUST REMAIN WITHIN DIMENSIONS			MATERIAL NUMBER		
			CUSTOMER		
			SHEET NUMBER		

molex

MIC 5P M/MF BULKHEAD FEED-THRU
5P MALE/FEMALE, M12 THREAD

PRODUCT CUSTOMER DRAWING

DOCUMENT NUMBER	DOC TYPE	DOC PART	REVISION
1200700237	PSD	000	A

GENERAL MARKET 1 OF 1