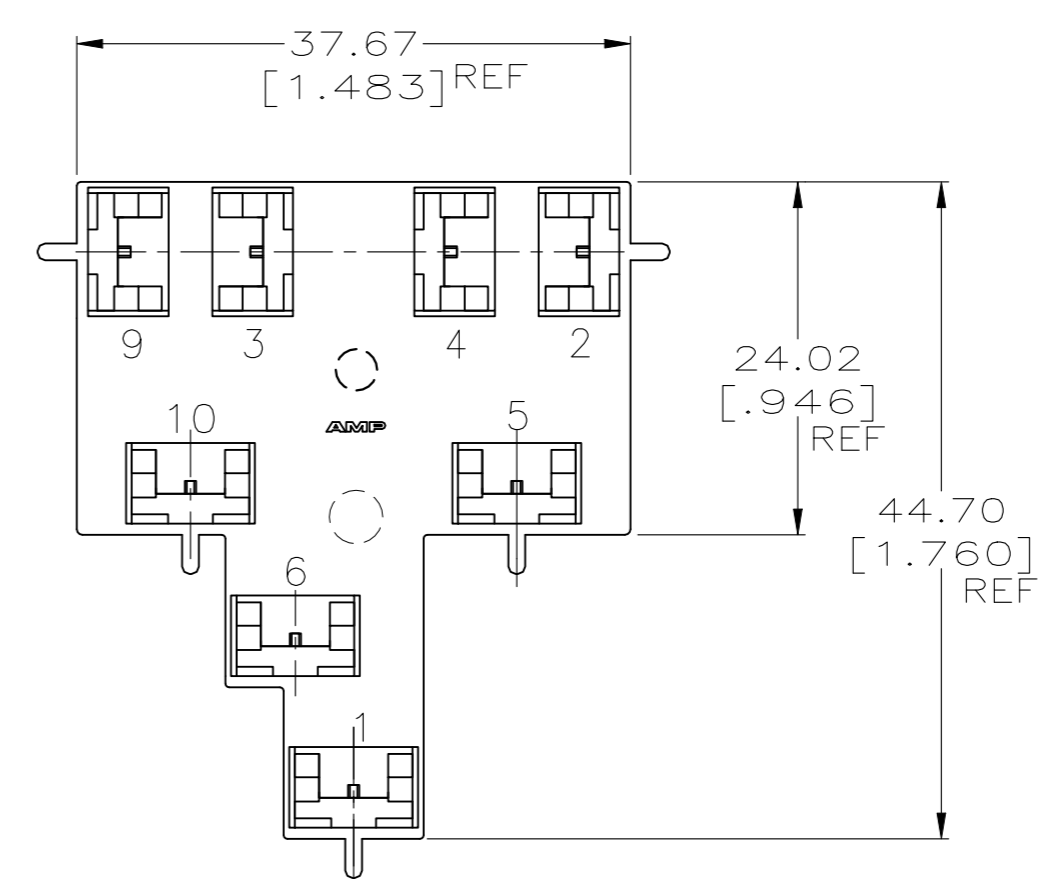
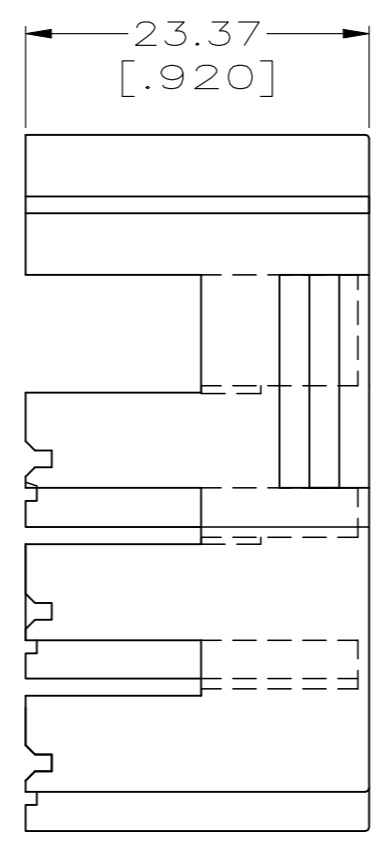
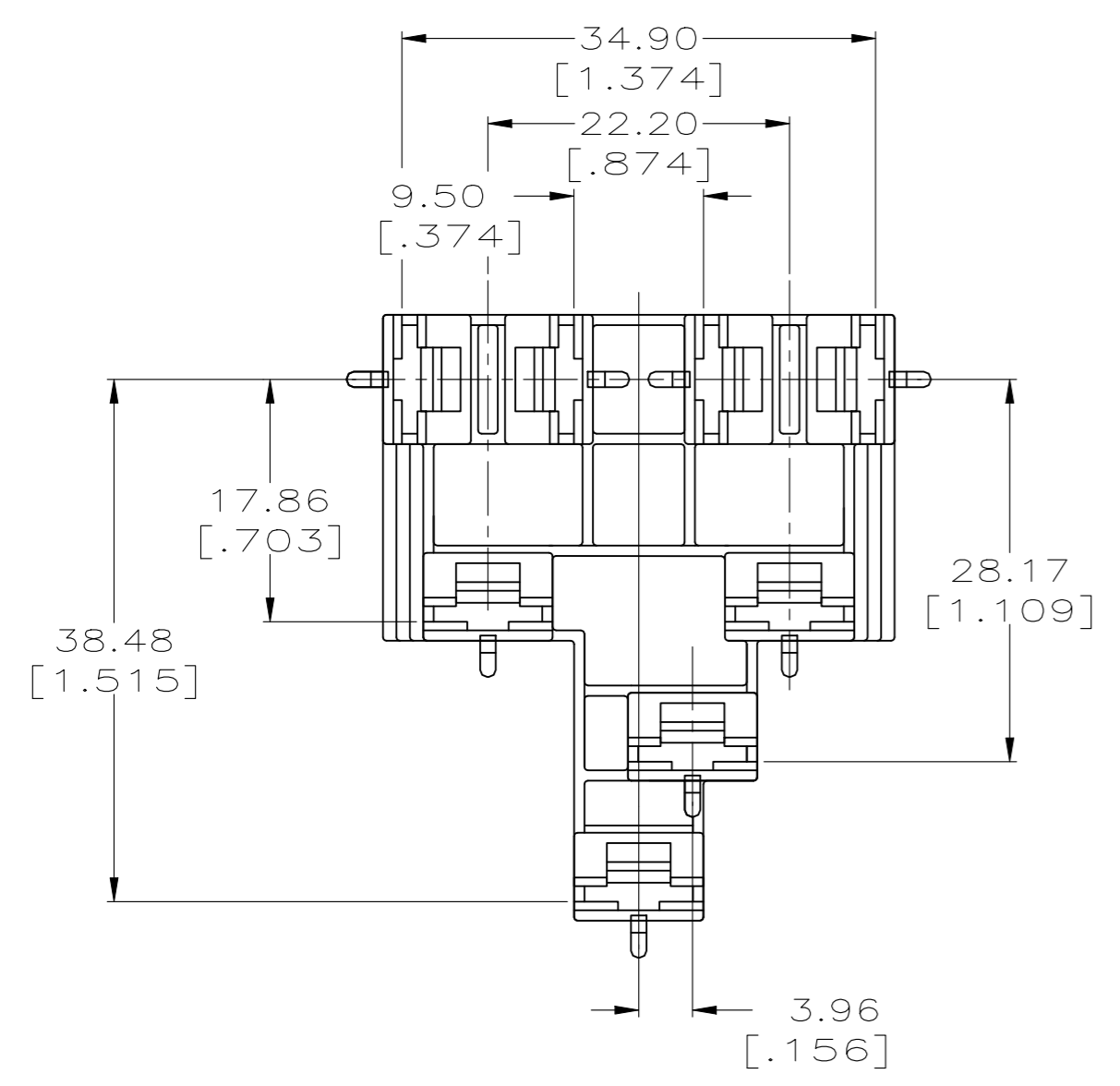


THIS DRAWING IS UNPUBLISHED. RELEASED FOR PUBLICATION .19
 © COPYRIGHT 19 BY AMP INCORPORATED. ALL INTERNATIONAL RIGHTS RESERVED.

LOC	DIST	P	F	ZONE	LTR	DESCRIPTION	DATE	APPD
AF	50					C1 REVISED PER ECR-19-017980	09DEC2021	SS/EW



OBSOLETE

521002-1

PART NO

DO NOT SCALE PRINT. UNLESS SPECIFIED DIMENSIONS IN mm [INCHES] TOLERANCES ON: 2 PLC DEC ± 0.25 [.010] 3 PLC DEC ± - ANGLES ± -		DR 1/28/92 JR RUTH	AMP Incorporated Harrisburg, PA 17105-3608		
MATERIAL 6/6 NYLON		CHK 1/28/92 MS FEHER			
FINISH NATURAL		APPD 1/28/92 R BEAVER	NAME HOUSING, RECEPTACLE, FASTON, 6.35 [.250] SERIES 8 POSITION		
		APPD 1/28/92 D REINER			
		PRODUCT SPEC -	SIZE C	CAGE CODE 00779	DRAWING NO 521002
		APPLICATION SPEC -	SCALE 2:1	SHEET 10F 1	
		WEIGHT -			

METRIC