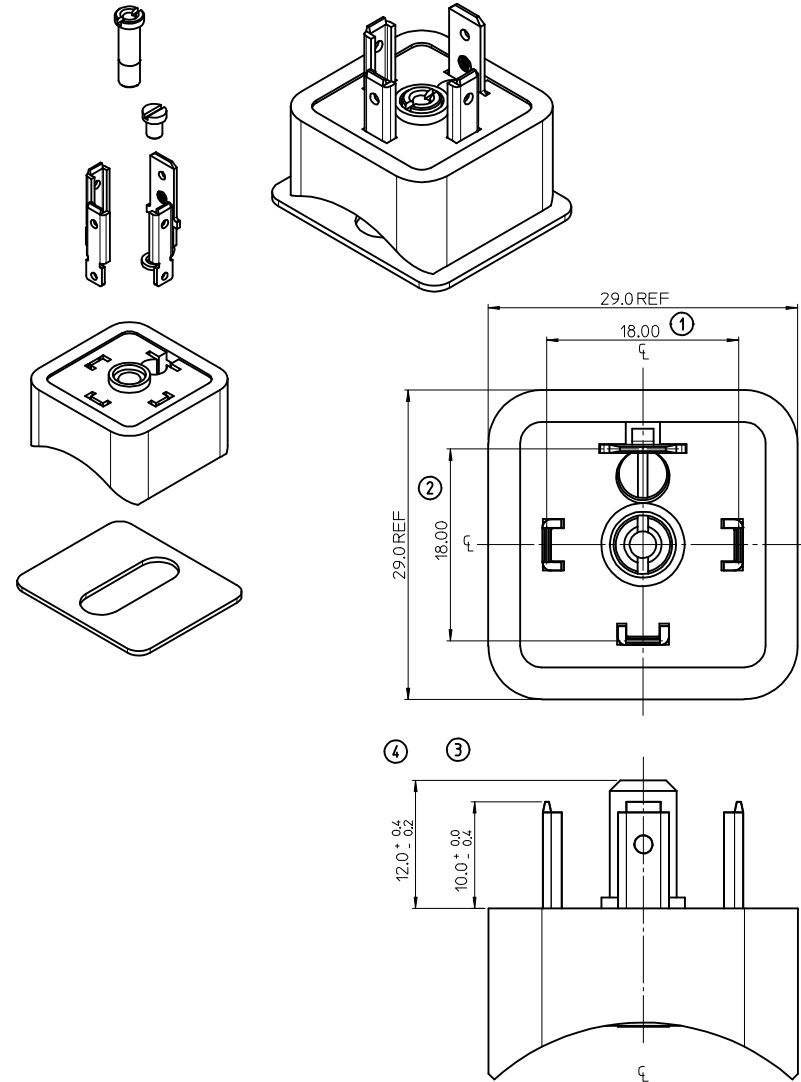


B233045N2**

SERIES _____
 B23= FORM A
 POLES _____
 2= 2 POLE & 3= 3 POLE
 CURVED BASE DIAMETER _____
 040= Ø40, 045= Ø45, 050= Ø50, 060= Ø60, 080= Ø80, 100= Ø100, 160= Ø160,
 MATERIAL AND HOUSING COLOUR _____
 N= PA6 BLACK, W= PA6 BLACK V0
 SCREW AND GASKET _____
 2= NBR FLAT GASKET & SCREWS
 4= SILICON FLAT GASKET & SCREWS
 NON STANDARD COMPONENTS _____

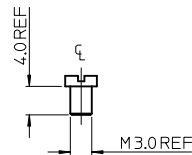
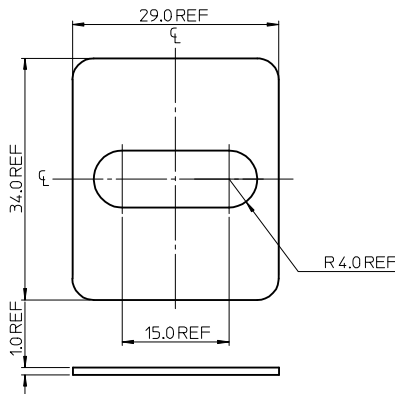
ITEM	DESCRIPTION
1	INSERT
2	EARTH SCREW
3	TERMINALS
4	HOUSING
5	GASKET



- NOTES
- PLEASE SEE TABLE FOR CURRENTLY CONFIGURED PART NUMBERS.
 FOR SPECIFIC PART NUMBERS PLEASE CONTACT SALES OR CONSULT
 THE INTELLIGENT PART NUMBERS IN THE TABLE ATTACHED.
 - FOR PACKAGING SEE PACKAGING SPEC PK-121013-B23
 - PRODUCT SPEC: SEE PS-121201-001
 - TERMINALS BENT AFTER INSERTION FOR BEND ANGLE SEE TABLE

LAST INSPECTION NUMBER 4

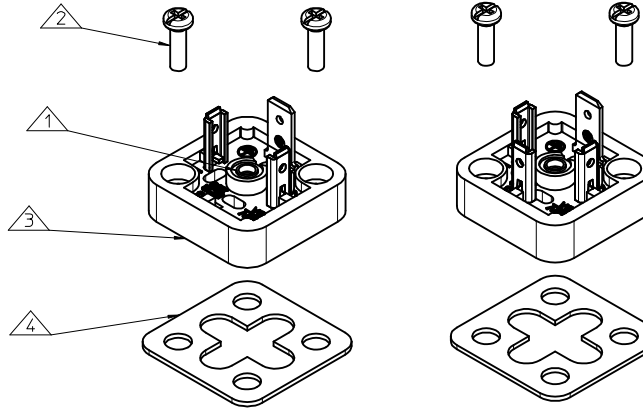
PART No.	mPm PART No.	DESCRIPTION	TERMINAL BEND ANGLE (°)
1210120058	B233045N2	TYPE A 3P BLACK, Ø45 NBR FLAT GASKET & SCREWS	45
1210120060	B233050N2	TYPE A 3P BLACK, Ø50 NBR FLAT GASKET & SCREWS	45
1210120052	B232060N2	TYPE A 2P BLACK, Ø60 NBR FLAT GASKET & SCREWS	45
1210120050	B232045N2	TYPE A 2P BLACK, Ø45 NBR FLAT GASKET & SCREWS	45
1210120063	B233080N2	TYPE A 3P BLACK, Ø80 NBR FLAT GASKET & SCREWS	45
1210120062	B233060N4	TYPE A 3P BLACK, Ø60 SILICON FLAT GASKET & SCREWS	45
1210120061	B233060N2	TYPE A 3P BLACK, Ø60 NBR FLAT GASKET & SCREWS	45
1210120059	B233045N4	TYPE A 3P BLACK, Ø45 SILICON FLAT GASKET & SCREWS	45
1210120057	B233040N2	TYPE A 3P BLACK, Ø40 NBR FLAT GASKET & SCREWS	45
1210120055	B232100N2	TYPE A 2P BLACK, Ø100 NBR FLAT GASKET & SCREWS	45
1210120054	B232080N2	TYPE A 2P BLACK, Ø80 NBR FLAT GASKET & SCREWS	45
1210120051	B232050N2	TYPE A 2P BLACK, Ø50 NBR FLAT GASKET & SCREWS	45
1210120049	B232040N2	TYPE A 2P BLACK, Ø40 NBR FLAT GASKET & SCREWS	45
1210130232	B233100N2	TYPE A 3P BLACK, Ø100 NBR FLAT GASKET & SCREWS	45



ORIGINAL RELEASE EC NO: IPG2014-0532 DRW:KORNOYLE 2013/09/25 CHKD:OSHEA 2013-10-23 APPR:STGERFFIN 2013/11/11	QUALITY SYMBOLS ▽=0 ▽=0	GENERAL TOLERANCES (UNLESS SPECIFIED)		DIMENSION STYLE MM ONLY		SCALE 2:1	DESIGN UNITS METRIC	THIRD ANGLE PROJECTION	
		4 PLACES ± --- + --- 3 PLACES ± --- + --- 2 PLACES ± 0.1 + --- 1 PLACE ± 0.2 + --- ANGULAR ± ---°	mm INCH ± --- ± --- ± 0.1 ± --- ± 0.2 ± ---	DRAWN BY JOCONNOR CHECKED BY DMAHER APPROVED BY EFOLAN	DATE 2011/06/22 DATE 2011/06/22 DATE 2011/07/12	TITLE B23 SERIES BASE		DOCUMENT NO. SD-121012-005	
DRAFT WHERE APPLICABLE MUST REMAIN WITHIN DIMENSIONS		SEE CHART		THIS DRAWING CONTAINS INFORMATION THAT IS PROPRIETARY TO MOLEX INCORPORATED AND SHOULD NOT BE USED WITHOUT WRITTEN PERMISSION					

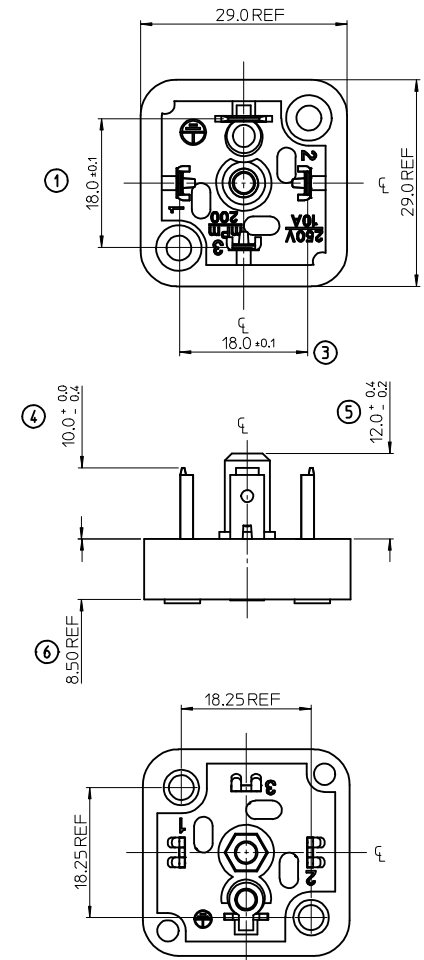
B202000N2**

SERIES _____
 B20= FORM A BASE SERIES
 POLES _____
 2= 2 POLE & 3= 3 POLE
 CURVED BASE DIAMETER _____
 000 = FLAT
 MATERIAL AND HOUSING COLOR _____
 G= PA6 GRAY, N= PA6 BLACK, W= PA6 BLACK V0
 GASKET & SCREWS _____
 1= NBR INTEGRATED GASKET & SCREWS
 2= NBR FLAT GASKET & SCREWS
 4= SILICON FLAT GASKET & SCREWS
 0= WITHOUT GASKET AND SCREWS
 ADDITIONAL INFORMATION _____
 UR= UL APPROVED
 SA= UL LISTED



B202 SERIES BASE

B203 SERIES BASE



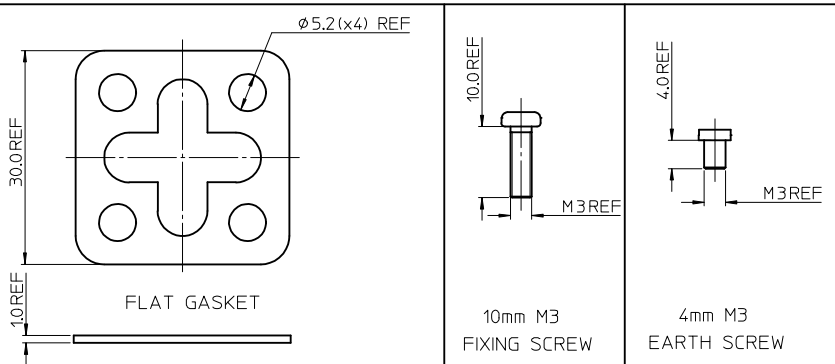
NOTES

- FOR SPECIFIC PART NUMBERS PLEASE CONTACT SALES OR CONSULT THE INTELLIGENT PART NUMBERS IN THE TABLE ATTACHED
- PRODUCT SPEC: SEE PS-121201-001
- PACKAGING SPEC: SEE PK-121012-B20

LAST INSPECTION NUMBER USED 5

Part No	MPM Part No	DESCRIPTION	BEND ANGLE
1210120013	B202000N2	PLATTE 2+ERDE 2-DIAGONAL	180°
1210120161	B202000G2	BAS QUAD.202 GRIGIA 2P+T	180°
1210120168	B202000W2SA	BAS202 NERA UL94 V0 UL LISTED	180°
1210120169	B203000W2SA	BAS203 NERA UL94 V0 UL	180°
1210120019	B203000N2	STD. BASE 3 POLE+EARTH FLAT	180°

ITEM	DESCRIPTION
1	CENTRE SCREW
2	FIXING SCREWS
3	BASE
4	GASKET



ADDED PART NUMBER EC NO: IPG2014-053Z DRAWN: KIRKMOYLE 2013/09/17 CHKD: OSHEA 2013-10-23 APPR: STURTELLIN 2013/11/11	QUALITY SYMBOLS ▽=0 ▽=0	GENERAL TOLERANCES (UNLESS SPECIFIED)		DIMENSION STYLE MM ONLY	SCALE 1:1	DESIGN UNITS METRIC	THIRD ANGLE PROJECTION		
		4 PLACES ± --- ± ---	mm INCH	DRAWN BY DMAHER_WEU	DATE 2010/03/18	TITLE B20 SERIES BASES			
		3 PLACES ± --- ± ---	± 0.10 ± ---	CHECKED BY	DATE	APPROVED BY JWALLACE			DATE 2010/03/24
		2 PLACES ± 0.20 ± ---	ANGULAR ± 2 °	MATERIAL NO.		DOCUMENT NO. SD-121012-013			SHEET NO. 1 OF 1
DRAFT WHERE APPLICABLE MUST REMAIN WITHIN DIMENSIONS		SEE TABLE		THIS DRAWING CONTAINS INFORMATION THAT IS PROPRIETARY TO MOLEX INCORPORATED AND SHOULD NOT BE USED WITHOUT WRITTEN PERMISSION					