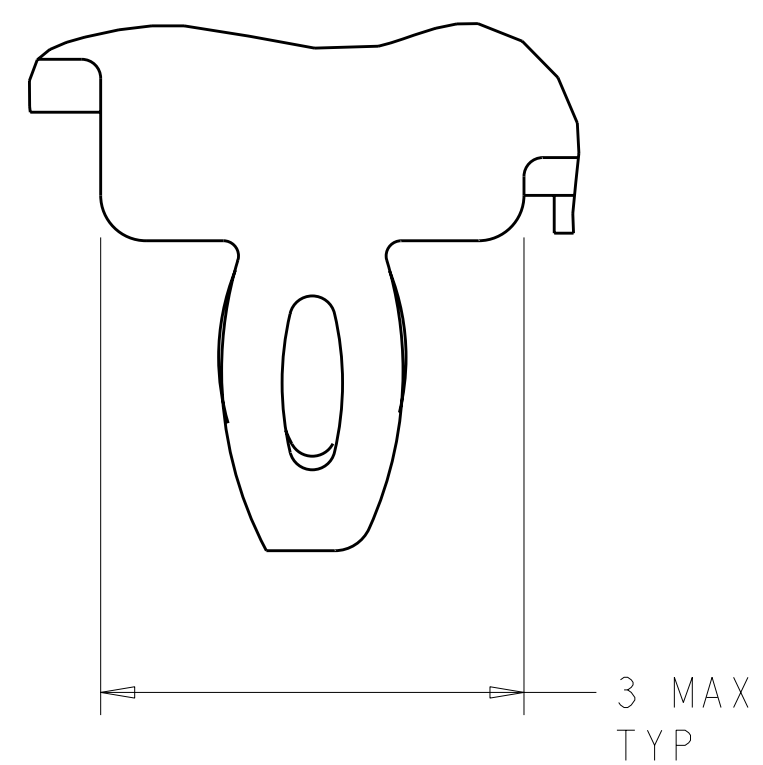


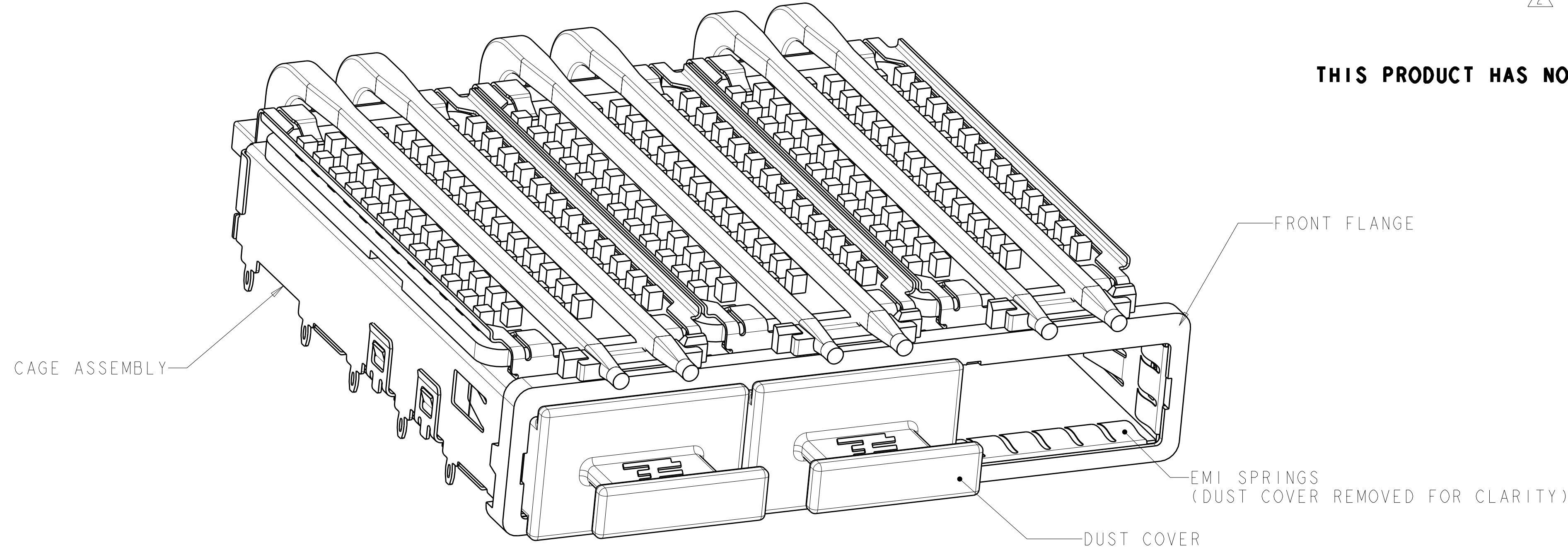
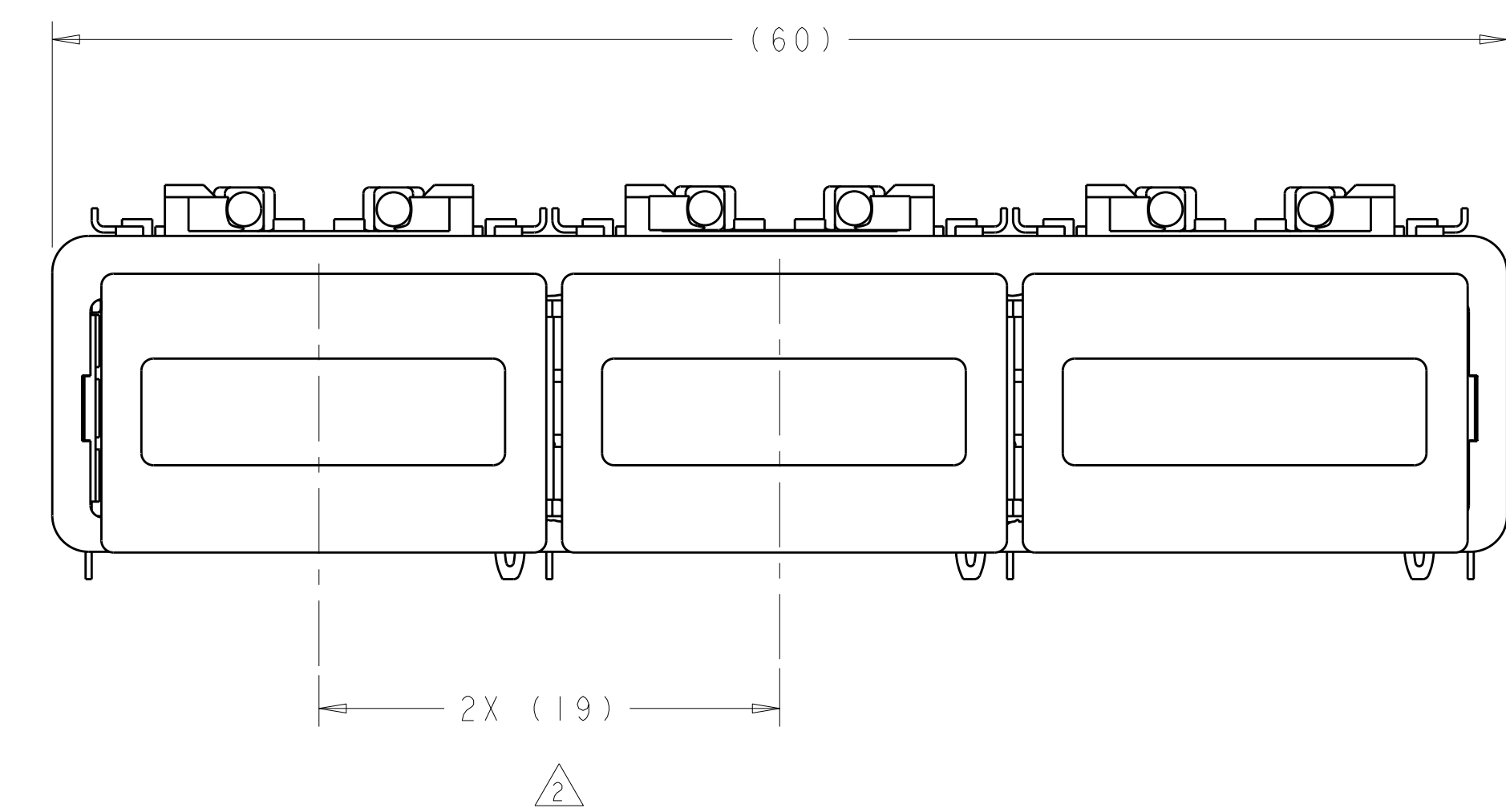
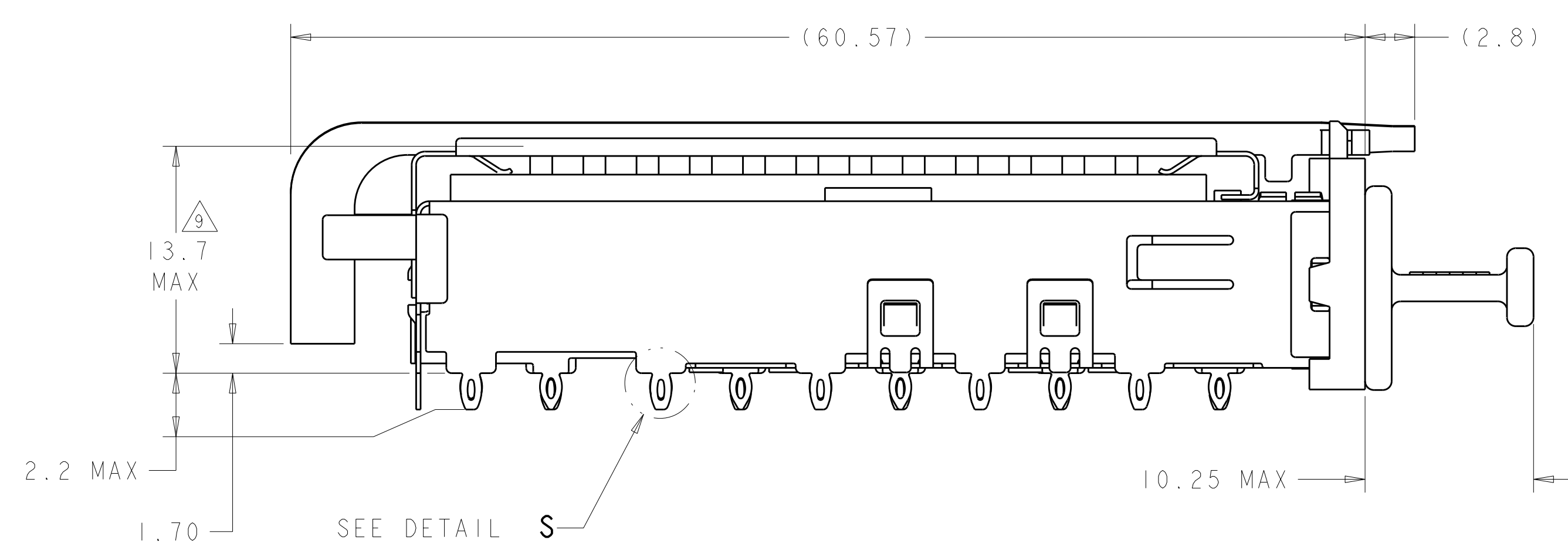
LOC	DIST	REV	DATE	BY	APPD
-	-	1	04MAY2009	CR	JP



DETAIL S
 SCALE 20:1

- 1 CAGE ASSEMBLY MATERIAL: NICKEL SILVER, 0.25 THICK
 HEAT SINK MATERIAL: ALUMINUM
 HEAT SINK CLIP MATERIAL: STAINLESS STEEL
 EMI SPRINGS MATERIAL: COPPER ALLOY
 FRONT FLANGE MATERIAL: ZINC ALLOY
 LIGHT PIPE MATERIAL: CLEAR POLYCARBONATE
 DUST COVER MATERIAL: BLACK THERMOPLASTIC
- 2 PITCH BETWEEN PORTS OF ONE 1X3 CAGE ASSEMBLY.
- 3 SPACING BETWEEN CAGES ON THE SAME PC BOARD, TO BE SPECIFIED BY CUSTOMER, MUST COMPLY WITH MINIMUM DIMENSIONS SHOWN.
- 4 REFERENCE APPLICATION SPEC 114-13218 FOR RECOMMENDED DRILL HOLE DIAMETER AND PLATING THICKNESS.
- 5 DATUMS AND BASIC DIMENSIONS ESTABLISHED BY CUSTOMER.
- 6 DIMENSION F IS THE NOMINAL THICKNESS OF CUSTOMER SUPPLIED PC BOARD,
 SINGLE SIDED PC BOARD MINIMUM THICKNESS = 1.45mm
 DOUBLE SIDED PC BOARD MINIMUM THICKNESS = 2.2mm PER QSFP
- 7 DUST COVERS, HEAT SINKS, LIGHT PIPES, AND HEAT SINK CLIPS SHIPPED ASSEMBLED TO CAGE ASSEMBLY. CAGE ASSEMBLY MAY BE PRESSED INTO THE PCB AS SHIPPED.
- 8 DATUM -A- IS TOP SURFACE OF PC BOARD.
- 9 DIMENSION APPLIES WITH MODULE INSERTED IN CAGE.
- 10 UNPLATED THRU HOLE.
- 11 MATES WITH QSFP MSA COMPATIBLE TRANSCEIVER.
- 12 SURFACE TRACES PERMITTED WITHIN THIS AREA EXCEPT WHERE CAGE STANDOFFS, SHOWN IN DETAIL S, CONTACT PC BOARD.
- 13 BASELINE FOR THESE DIMENSIONS IS THE CENTER OF COMPLIANT PIN HOLE.
- 14 DATE CODE (YYWWD) MARKED ON TOP OF CAGE AND CONCEALED BY HEAT SINKS APPLIES TO CAGE ASSEMBLY ONLY.

- 15 REFERENCE APP SPEC 114-13218 FOR GASKET THICKNESS CALCULATION.
- 16 EMI SPRING FINISH: 2µm MIN TIN
 FRONT FLANGE FINISH: 3µm MIN TIN OVER 1.27µm MIN NICKEL
 OVER 5.08µm MIN COPPER.
 HEAT SINK FINISH: NICKEL.

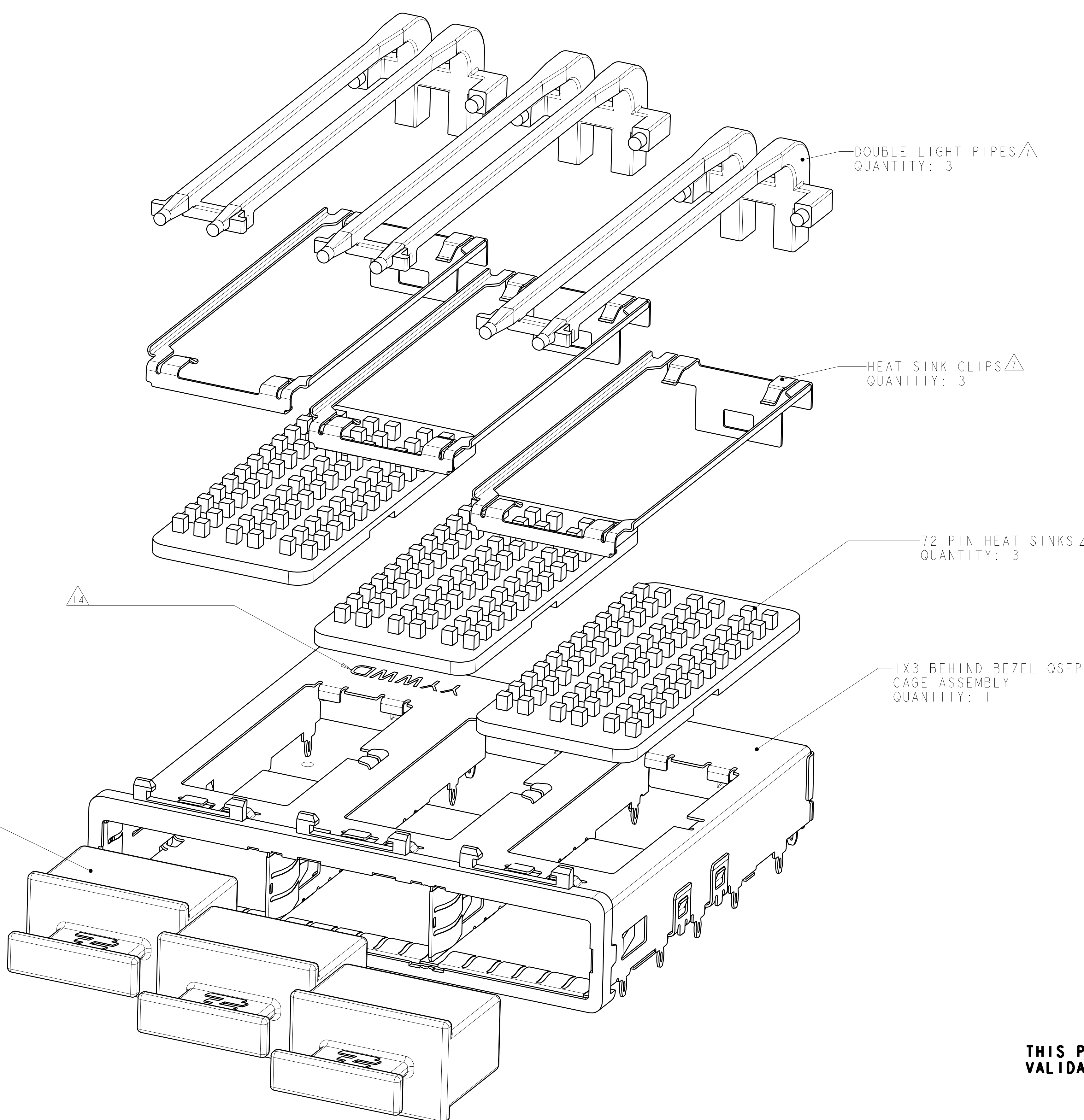


THIS PRODUCT HAS NOT COMPLETED VALIDATION/QUALIFICATION TESTING

0.8-1.1	PCI	2110653-1
E	HEAT SINK PROFILE	PART NUMBER

DIMENSIONS: mm 		TOLERANCES UNLESS OTHERWISE SPECIFIED: 9 PLC ±.1 1 PLC ±0.1 2 PLC ±0.1 3 PLC ±0.013 4 PLC ±.0001 ANGLES °		DWN C. ROHLER 01MAY2009 CHK J. PETERSON 01MAY2009 APVD B. WERTZ 01MAY2009 PRODUCT SPEC 108-2286 APPLICATION SPEC 114-13218 WEIGHT CUSTOMER DRAWING		Tyco Electronics Harrisburg, PA 17105-3608 NAME 1X3 CAGE ASSEMBLY, BEHIND BEZEL, W/ LIGHT PIPE, HEAT SINK, AND DUST COVER, QSFP SIZE CAGE CODE DRAWING NO A1100779C=2110653 RESTRICTED TO	
MATERIAL 		FINISH 		SCALE 4:1 SHEET 1 OF 5 REV 1		Tyco Electronics logo	

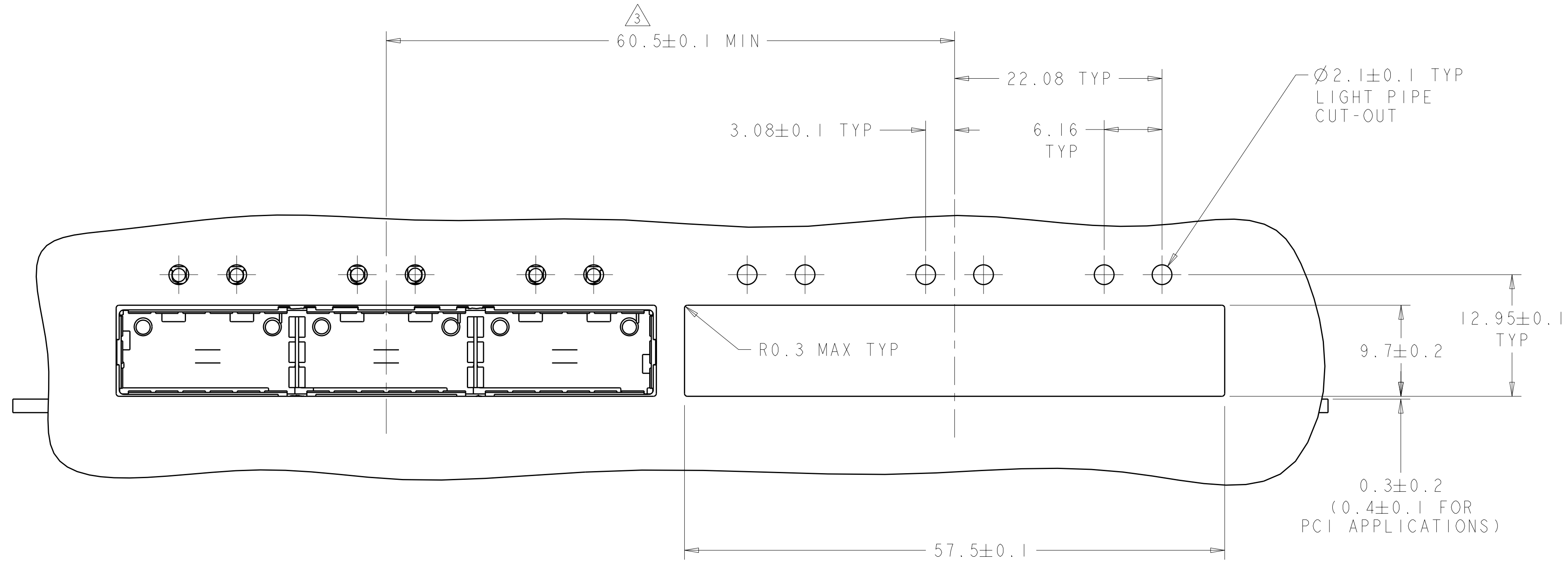
LOC	DIST	REV	DESCRIPTION	DATE	DWN	APVD
-	-	1	SEE SHEET 1	-	-	-



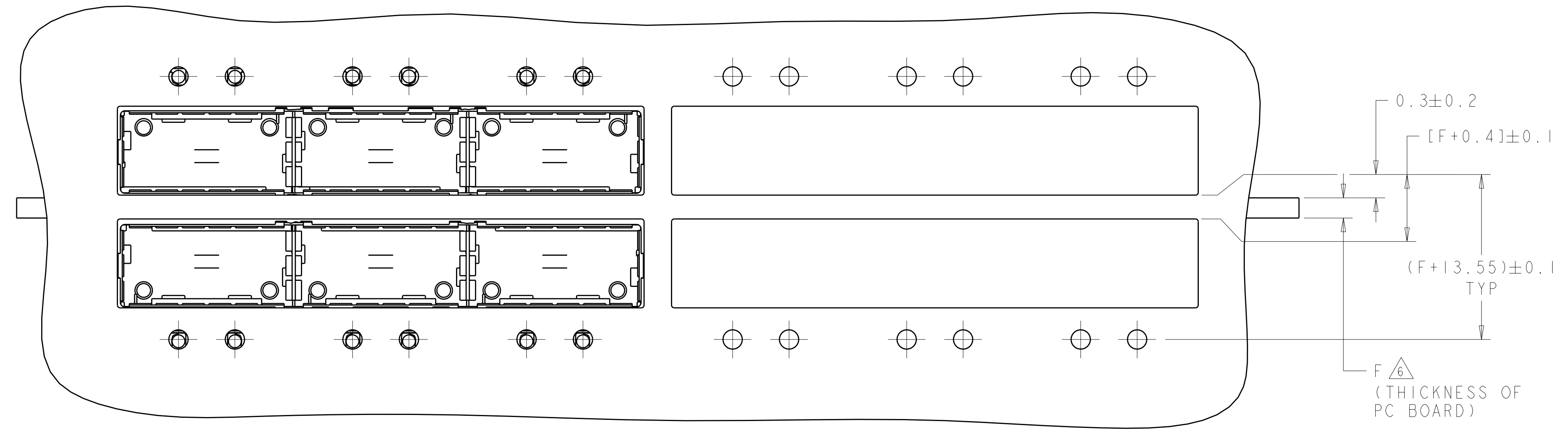
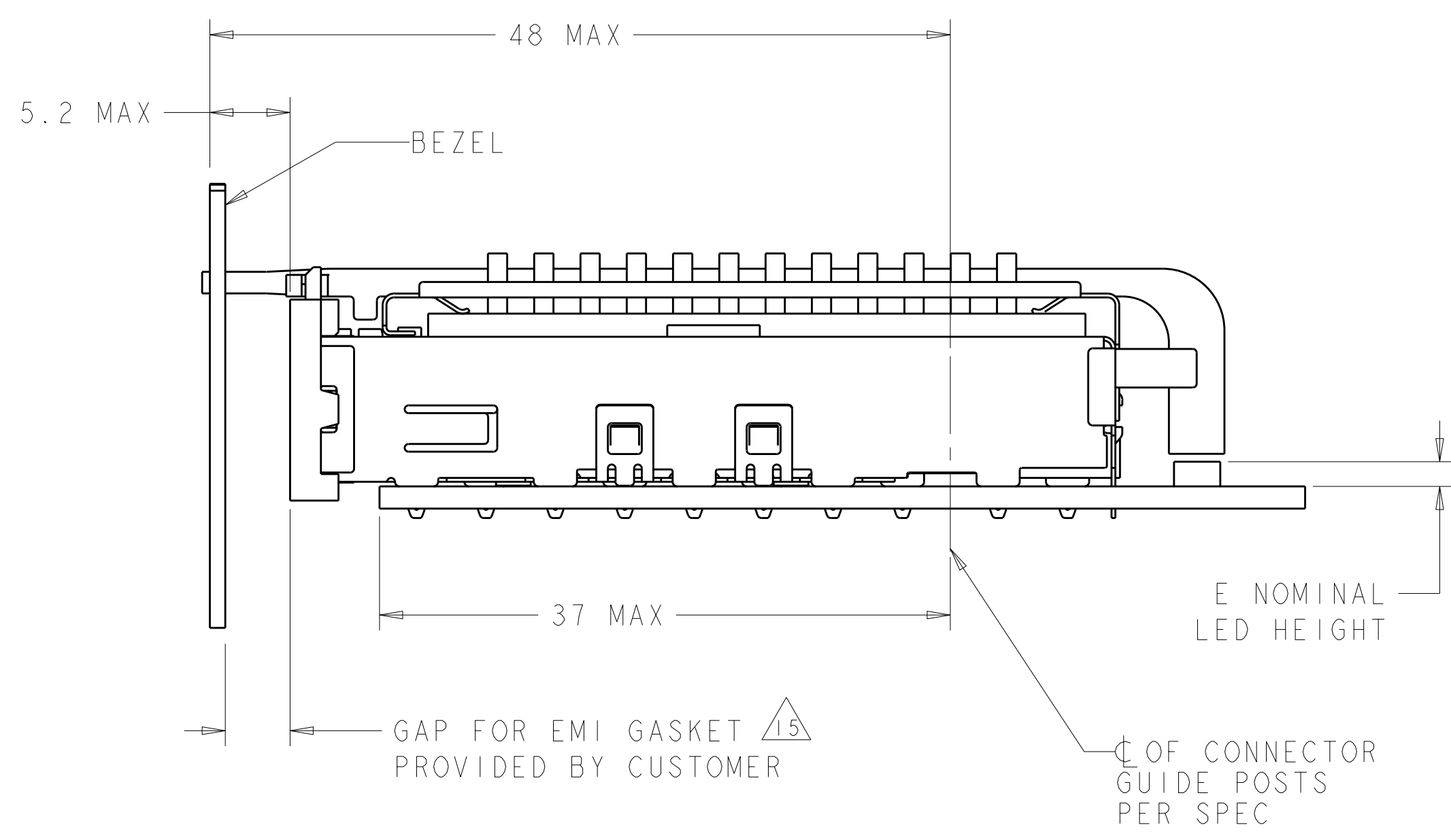
**THIS PRODUCT HAS NOT COMPLETED
 VALIDATION/QUALIFICATION TESTING**

<small>THIS DRAWING IS UNPUBLISHED. RELEASED FOR PUBLICATION. ALL RIGHTS RESERVED. THIS IS SUBJECT TO CHANGE WITHOUT NOTICE AND WITHOUT OBLIGATION. TOLERANCES UNLESS OTHERWISE SPECIFIED: DIMENSIONS IN MILLIMETERS.</small>		DWN: C. ROHLER 01MAY2009 CHK: J. PETERSON 01MAY2009 APVD: B. WERTZ 01MAY2009	Tyco Electronics Harrisburg, PA 17105-3608
DIMENSIONS: mm 	TOLERANCES UNLESS OTHERWISE SPECIFIED: 9 PLC ±.1 8 PLC ±0.1 5 PLC ±0.13 4 PLC ±.0001 ANGLES ±.0001 FINISH	NAME: 1X3 CAGE ASSEMBLY, BEHIND BEZEL, W/ LIGHT PIPE, HEAT SINK, AND DUST COVER, QSFP PRODUCT SPEC: 108-2286 APPLICATION SPEC: 114-13218 WEIGHT: - CUSTOMER DRAWING	SIZE: A CAGE CODE: 100779 DRAWING NO: C=2110653 RESTRICTED TO: - SCALE: 4:1 SHEET: 2 OF 5 REV: 1

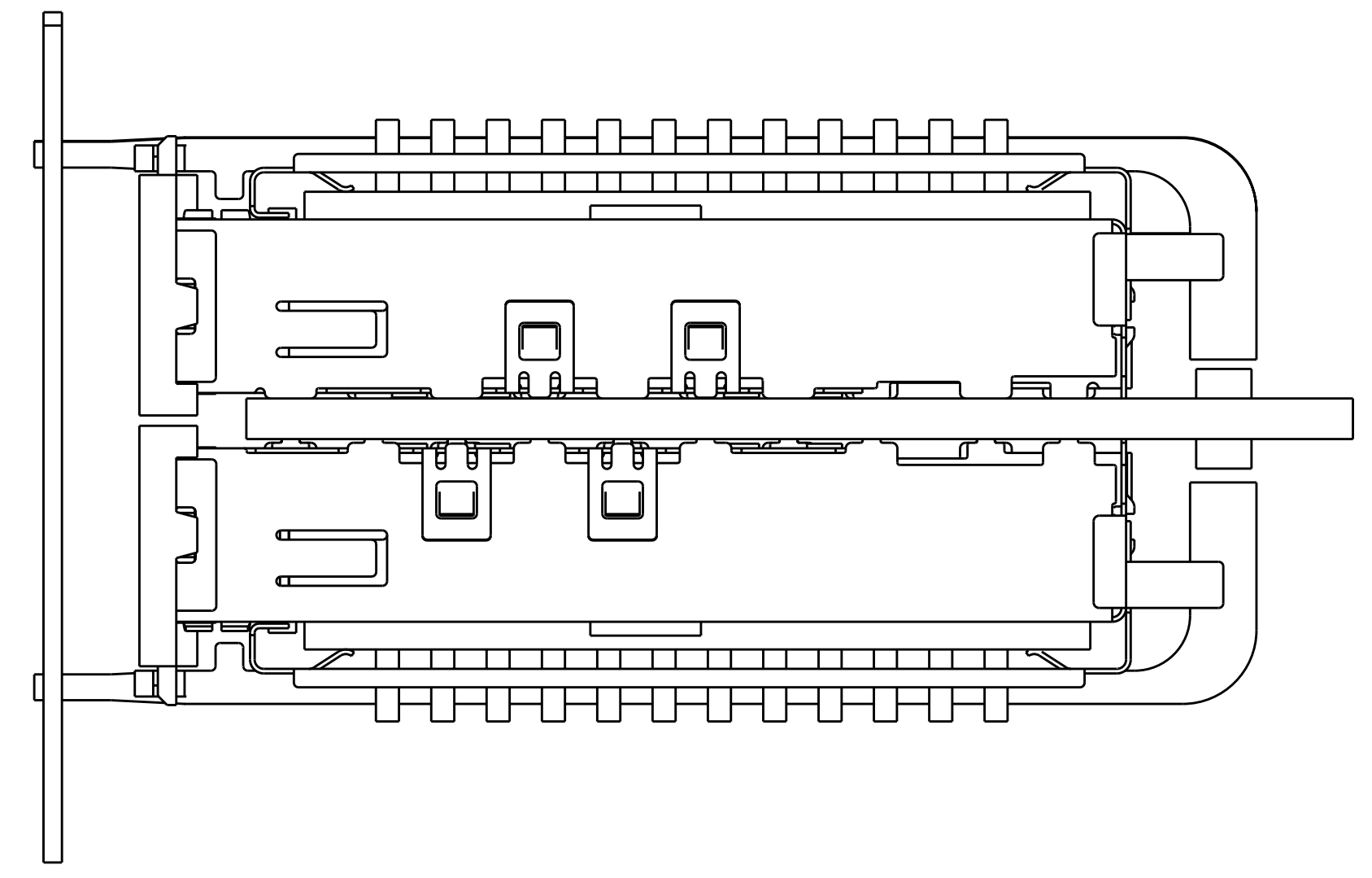
LOC	DIST	REV	DATE	BY	APPD
-	-	1	-	-	-
SEE SHEET 1					



ONE SIDED CONFIGURATION
 SCALE 3:1



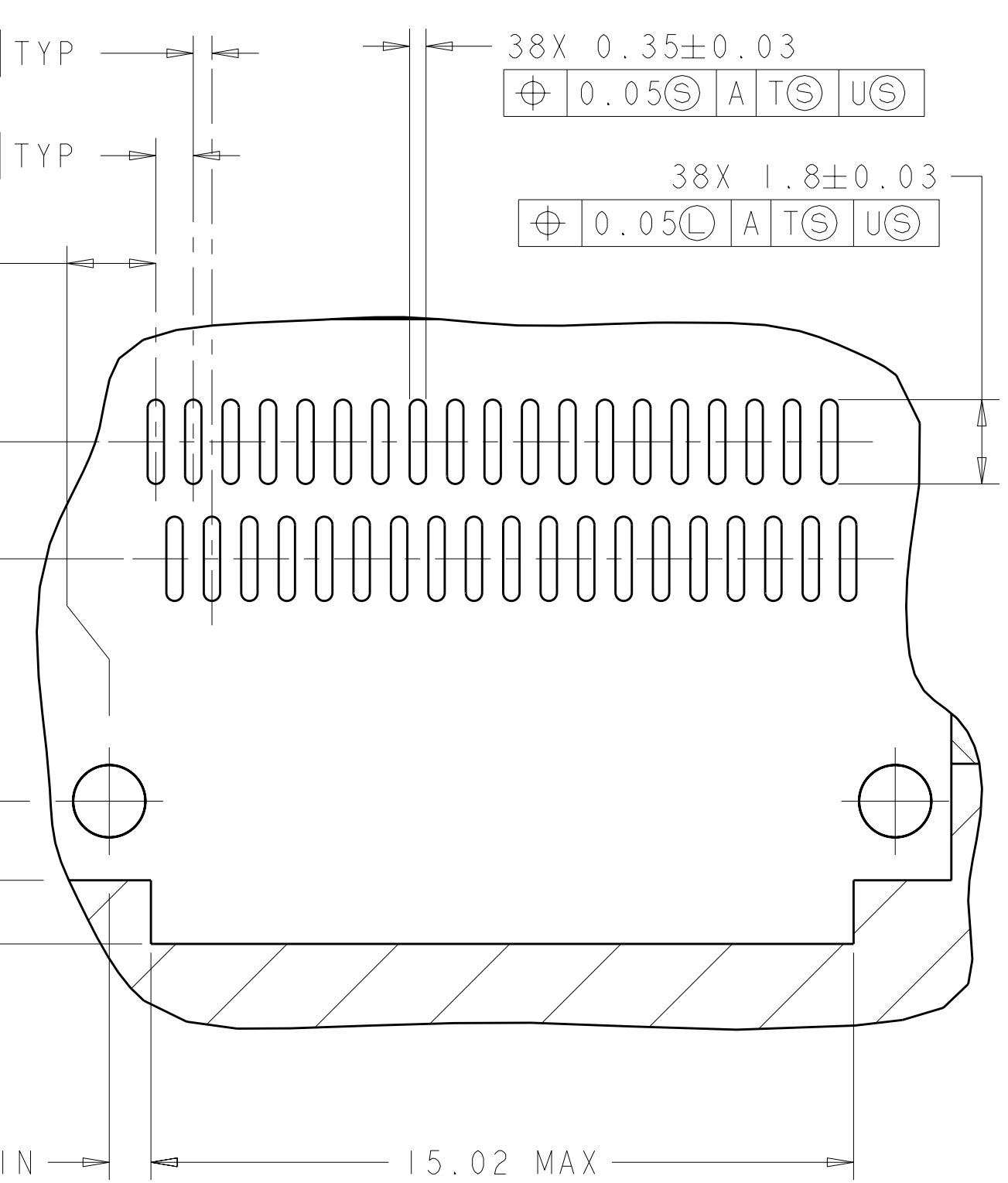
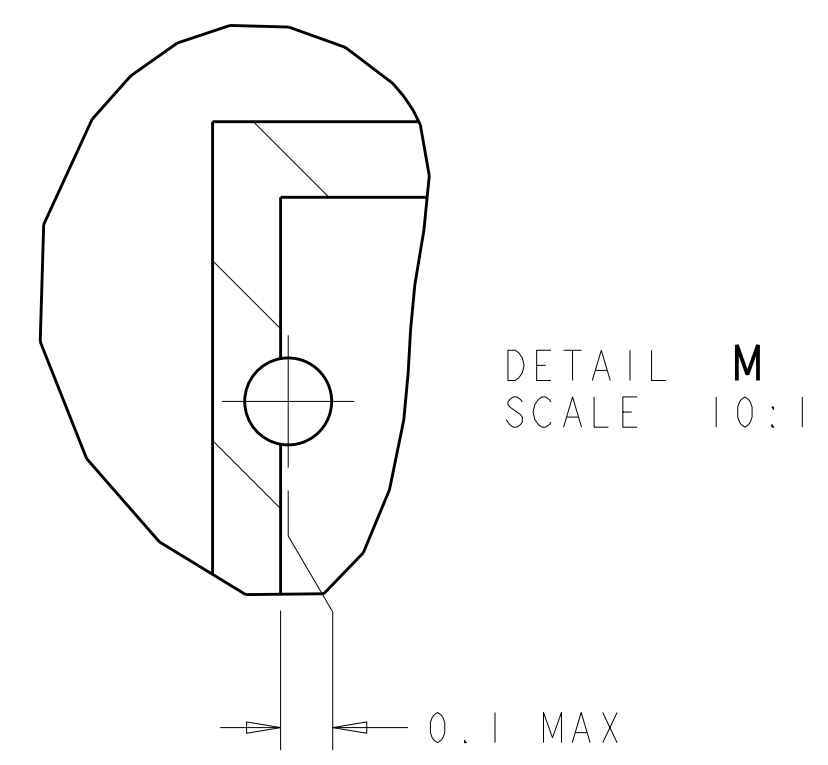
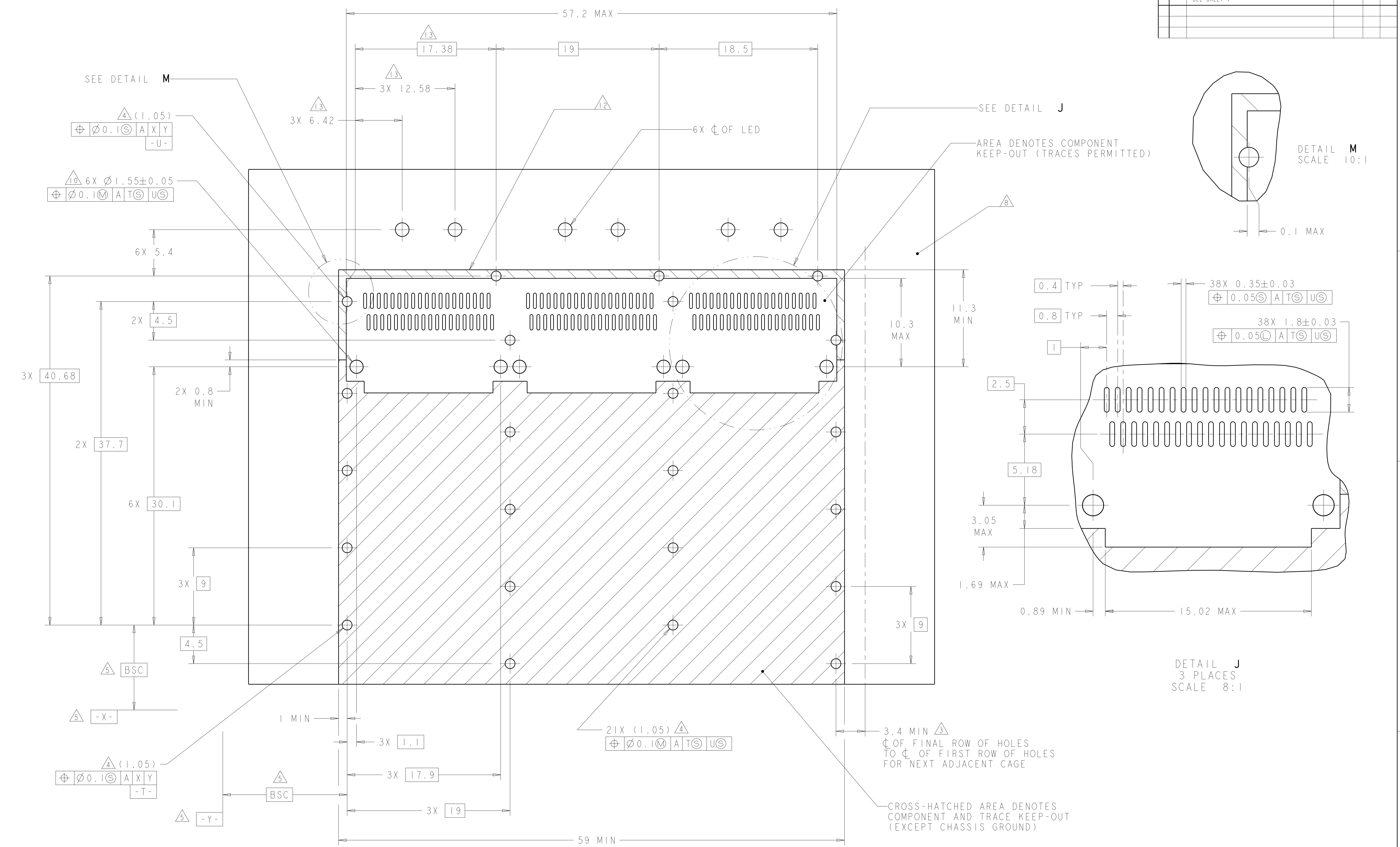
BELLY TO BELLY CONFIGURATION SIMILAR
 TO ONE SIDED EXCEPT WHERE NOTED
 SCALE 3:1



THIS PRODUCT HAS NOT COMPLETED VALIDATION/QUALIFICATION TESTING

<small>THIS DRAWING IS UNPUBLISHED. RELEASED FOR PUBLICATION BY TYCO ELECTRONICS CORPORATION. ALL RIGHTS RESERVED.</small>		DWN: C. ROHLER 01MAY2009 CHK: J. PETERSON 01MAY2009 APVD: B. WERTZ 01MAY2009	Tyco Electronics Harrisburg, PA 17105-3608
DIMENSIONS: mm 	TOLERANCES UNLESS OTHERWISE SPECIFIED: 0 PLC ± 1 PLC ±0.1 2 PLC ±0.1 3 PLC ±0.013 4 PLC ±0.001 ANGLES ±	NAME: 1X3 CAGE ASSEMBLY, BEHIND BEZEL, W/ LIGHT PIPE, HEAT SINK, AND DUST COVER, QFSP PRODUCT SPEC: 108-2286 APPLICATION SPEC: 114-13218 WEIGHT: - CUSTOMER DRAWING	SIZE: A CAGE CODE: 00779 DRAWING NO: C-2110653 RESTRICTED TO: -
MATERIAL: - FINISH: -		SCALE: 4:1 SHEET: 3 OF 5 REV: 1	

LOC	DIST	REV	DATE	BY	APPD
-	-	1	-	-	-
-		2	SEE SHEET 1	-	-

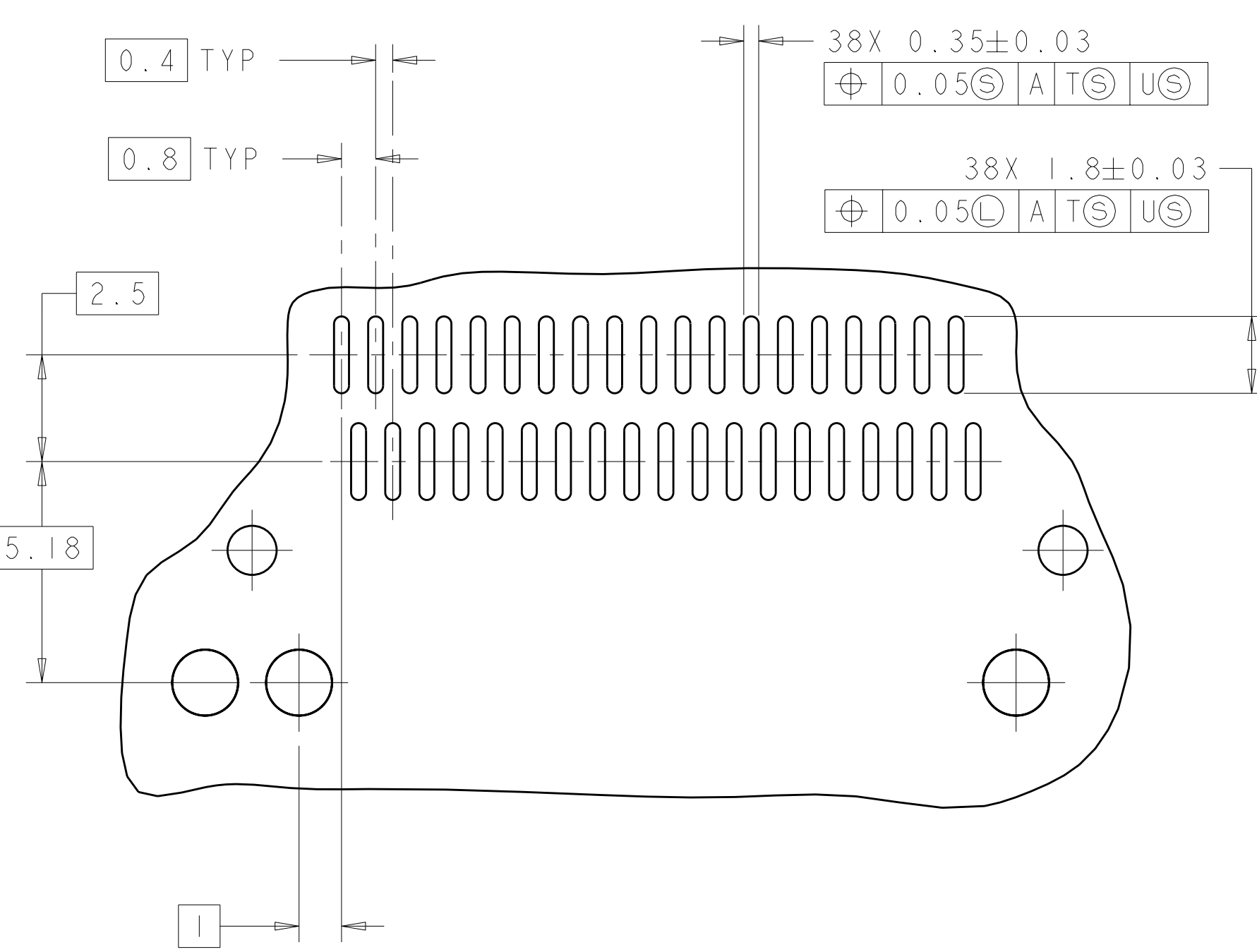
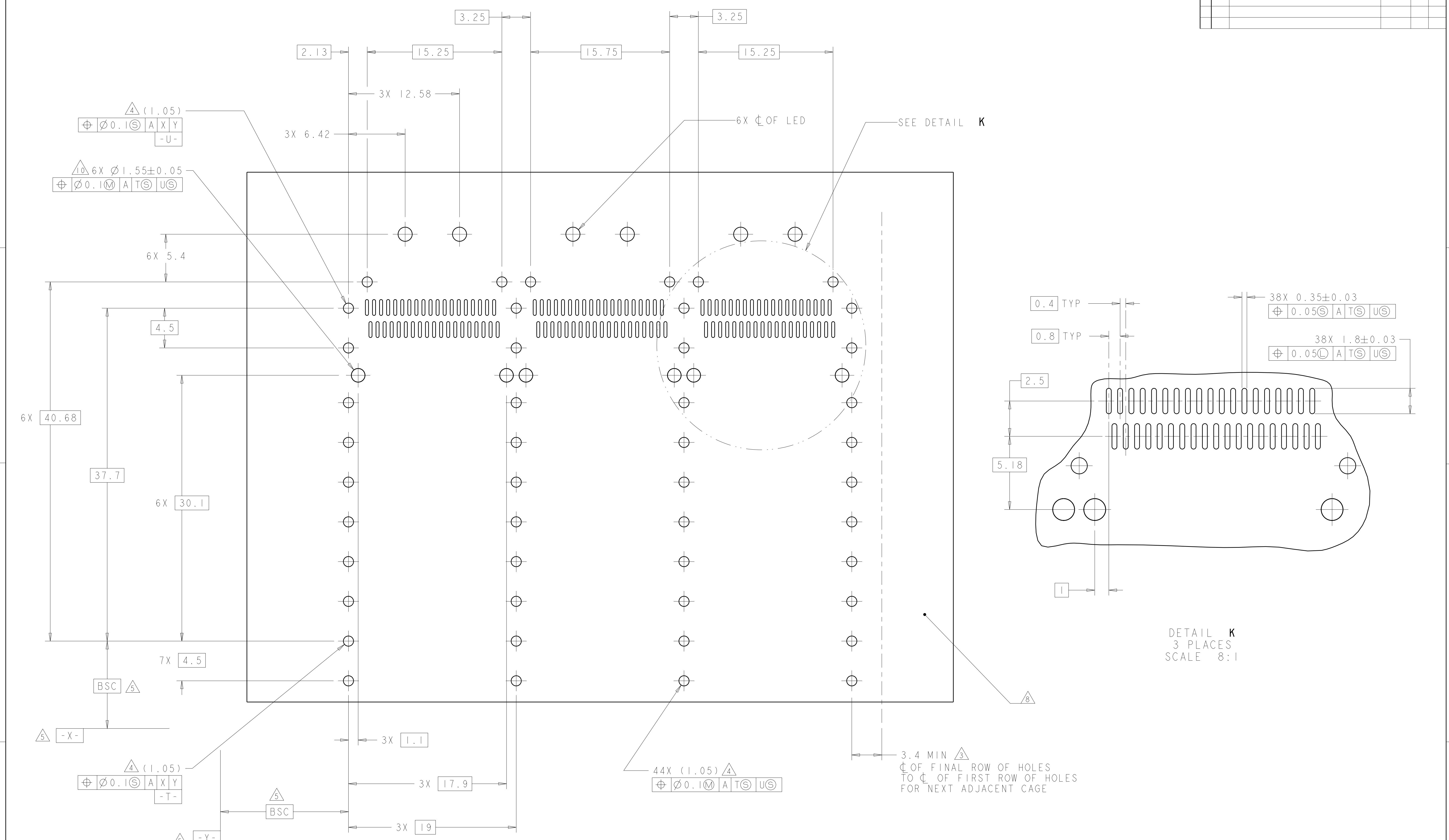


RECOMMENDED PC BOARD LAYOUT
SINGLE SIDE MOUNT CONFIGURATION
SCALE 5:1

THIS PRODUCT HAS NOT COMPLETED VALIDATION/QUALIFICATION TESTING

<small>THIS DRAWING IS UNPUBLISHED. RELEASED FOR PUBLICATION. COPYRIGHT 20 BY TYCO ELECTRONICS CORPORATION. ALL RIGHTS RESERVED.</small>		DWN: C. ROHLER 01MAY2009 CHK: J. PETERSON 01MAY2009 APVD: B. WERTZ 01MAY2009	Tyco Electronics Harrisburg, PA 17105-3608
DIMENSIONS: mm TOLERANCES UNLESS OTHERWISE SPECIFIED: 9 PLC ±.1 1 PLC ±0.1 5 PLC ±0.13 4 PLC ±.0001 ANGLES ±.0001	PRODUCT SPEC: 108-2286 APPLICATION SPEC: 114-13218 WEIGHT: -	NAME: 1X3 CAGE ASSEMBLY, BEHIND BEZEL, W/ LIGHT PIPE, HEAT SINK, AND DUST COVER, QFSP SIZE: A1100779 DRAWING NO: C=2110653	RESTRICTED TO: - SCALE: 4:1 SHEET: 4 OF 5 REV: 1
MATERIAL: - FINISH: -		CUSTOMER DRAWING	

LOC	DIST	REV	DATE	BY	APPD
-	-	1	-	-	-
-		2	-	-	-
-		3	-	-	-



DETAIL K
 3 PLACES
 SCALE 8:1

RECOMMENDED PC BOARD LAYOUT
 BELLY TO BELLY CONFIGURATION
 SEE SHEET 4 FOR COMPONENT
 AND TRACE KEEP-OUTS
 SCALE 5:1

THIS PRODUCT HAS NOT COMPLETED VALIDATION/QUALIFICATION TESTING

DIMENSIONS: mm 		TOLERANCES UNLESS OTHERWISE SPECIFIED: 0 PLC ± 1 PLC ±0.1 2 PLC ±0.1 3 PLC ±0.013 4 PLC ±0.001 ANGLES ±0.001		DWN C. ROHLER 01MAY2009 CHK J. PETERSON 01MAY2009 APVD B. WERTZ 01MAY2009		Tyco Electronics Harrisburg, PA 17105-3608	
MATERIAL: - FINISH: -		WEIGHT: -		NAME: 1X3 CAGE ASSEMBLY, BEHIND BEZEL, W/ LIGHT PIPE, HEAT SINK, AND DUST COVER, QFSP		SIZE: 114-13218 CAGE CODE: A100779 DRAWING NO: C=2110653	
CUSTOMER DRAWING				SCALE: 4:1		SHEET 5 OF 5 REV 1	