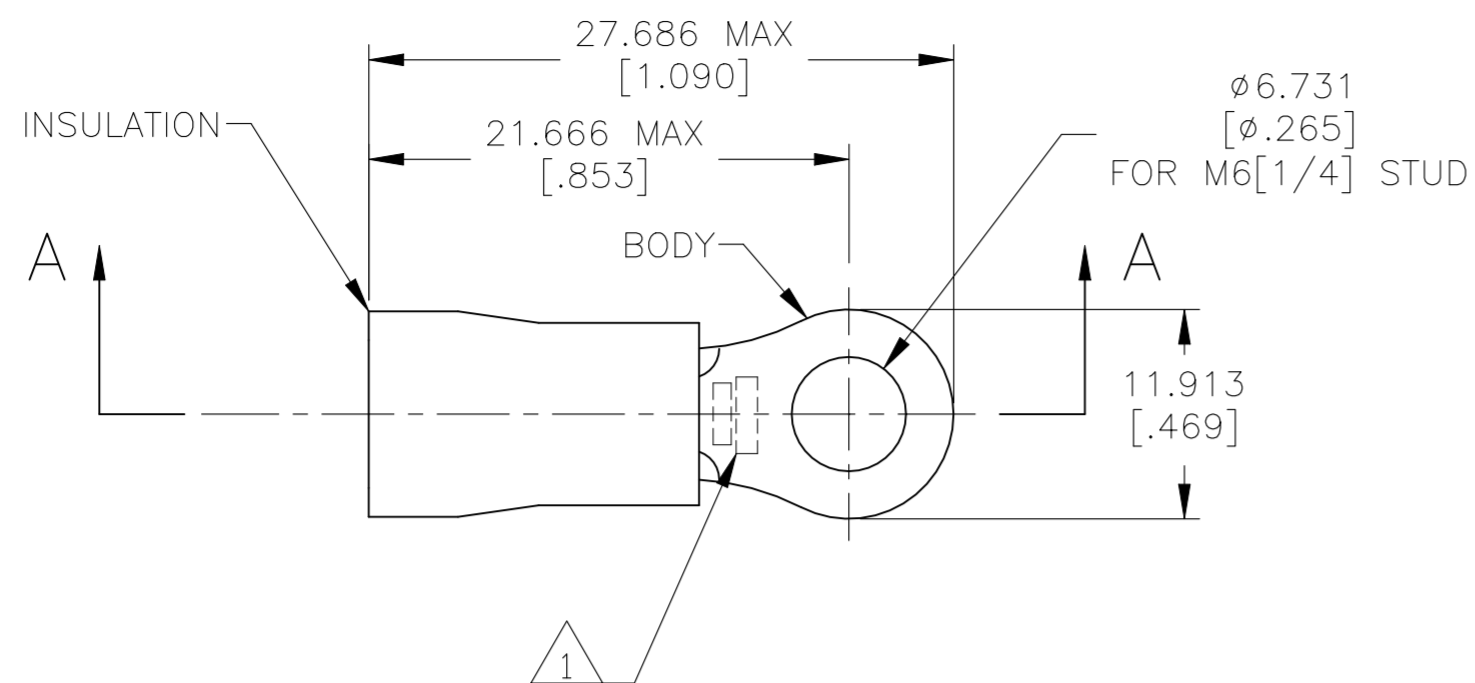
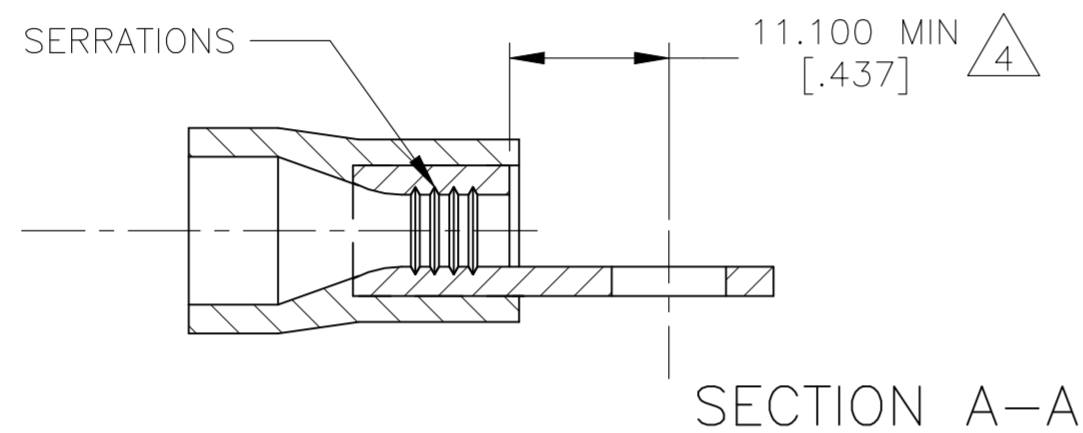


REVISIONS				
P	LTR	DESCRIPTION	DATE	APVD
R3		REV PER ECR-22-149320	18AUG2022	LP DSC



AMP
WIRE RANGE
22-16 AWG
SOLID OR STRANDED

- 1 STAMP AMP 22-18* APPROX AS SHOWN
WIRE RANGE IS 22-16 AWG
- 2 WIRE INSULATION DIAMETER:
Ø2.667[Ø.105] TO Ø3.556[Ø.140]
- 3 BODY MATERIAL THK: 0.787±0.051[.031±.002]
- 4 DIMENSION APPLIES FROM EDGE OF METAL WIRE BARREL TO CENTER OF STUD HOLE
- 5 SUPERSEDED BY 324105-1
- 6 OBSOLETE - NO REPLACEMENT
- 7 MATERIAL:
BODY - COPPER PER ASTM B152
INSULATION - PVC
- 8 FINISH:
BODY - TIN PLATE 0.00254[.000100] MIN EXT THK PER ASTM B545
INSULATION COLOR - RED



PACKAGE TYPE	QTY	PART NO
LOOSE PIECE, PLASTIC BAG W/HEADER	100	7-342105-1
LOOSE PIECE, PLASTIC BOX	100	6-342105-1
TAPE & REEL	5000	2-342105-1
LOOSE PIECE	1000	342105-1

**AMP INCORPORATED
CUSTOMER SERVICE SYSTEMS**

MAX RECOMMENDED OPERATING TEMPERATURE:
105°C [221°F]

FOR ADDITIONAL PRODUCT INFORMATION OR COPIES OF DRAWINGS AND TECHNICAL DOCUMENTS

PRODUCT INFORMATION CENTER
1-800-522-6752

VOLTAGE RATING:
600V MAX
(1000V FIXTURE OR SIGN)

FOR APPLICATION TOOLING INFORMATION

TOOLING ASSISTANCE CENTER
1-800-722-1111

WIRE CROSS SECTIONAL AREA RANGE:
0.26-1.65mm² [509-3260]
SOLID OR STRANDED

FOR ORDER ENTRY

1-800-526-5142

THIS DRAWING IS A CONTROLLED DOCUMENT FOR AMP INCORPORATED. IT IS SUBJECT TO CHANGE AND THE CONTROLLING ENGINEERING ORGANIZATION SHOULD BE CONTACTED FOR THE LATEST REVISION.

THIS DRAWING IS A CONTROLLED DOCUMENT.		DWN jr ruth 02DEC05	TE TE Connectivity	
DIMENSIONS: mm [INCHES]		CHK T MICHELUTTI 02DEC05		
TOLERANCES UNLESS OTHERWISE SPECIFIED:		APVD T MICHELUTTI 02DEC05	NAME	
0 PLC ± -		PRODUCT SPEC	TERMINAL, RING TONGUE, PLASTI-GRIP, WIRE SIZE: 22-16 AWG	
1 PLC ± -		APPLICATION SPEC	SIZE A2	CAGE CODE 00779
2 PLC ± -		114-2161	DRAWING NO C=342105	RESTRICTED TO -
3 PLC ± 0.127[.005]		WEIGHT -	SCALE 5:1	SHEET 1 OF 1
4 PLC ± -		CUSTOMER DRAWING	REV R3	
ANGLES ± -				