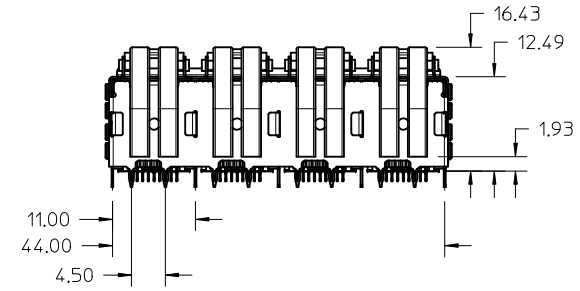
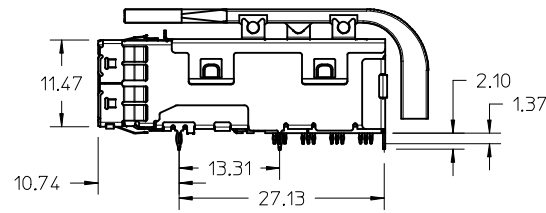
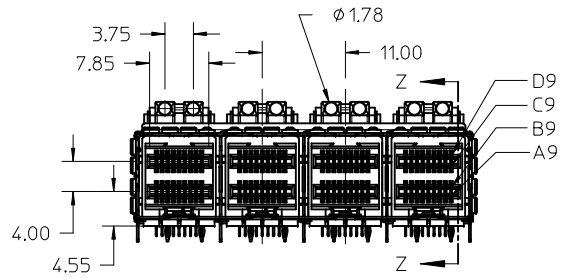


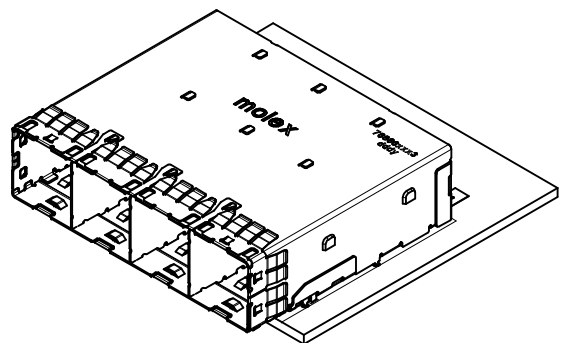
SECTION Z-Z



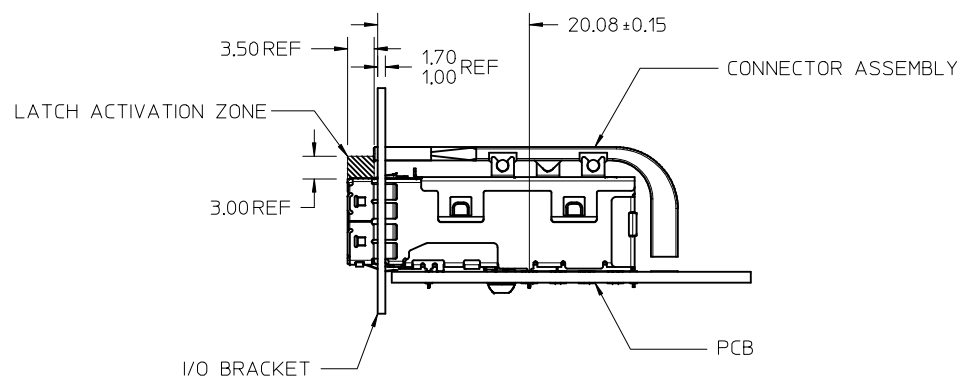
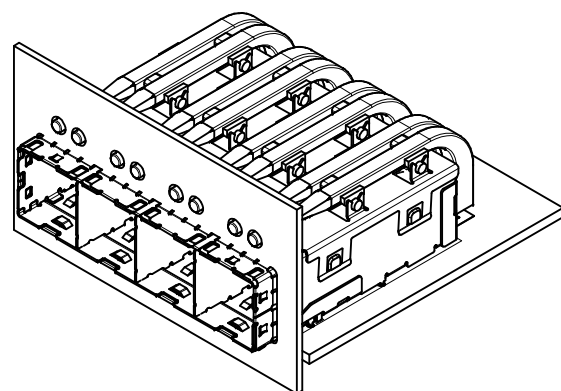
NOTES:

1. MATERIALS:
 - CONNECTOR HOUSING: HIGH TEMPERATURE THERMOPLASTIC GLASS FILLED, UL 94V-0
 - EMI CAGE: NICKEL SILVER ALLOY
 - EMI FINGERS: COPPER ALLOY
 - TERMINALS: COPPER ALLOY
 - LIGHT PIPES: HALOGEN FREE, CLEAR POLYCARBONATE
2. FINISHES:
 - EMI FINGERS: 0.50μM MIN NICKEL
 - CONTACT AREA: 0.76μM MIN GOLD OVER 2.54μM MIN NICKEL
 - TAIL AREA: 0.76μM-1.52μM TIN OVER 2.54μM MIN NICKEL
3. PRODUCT SPECIFICATION: PS-76866-001
4. PACKAGING SPECIFICATION: PK-76866-002
 - CONNECTORS WILL BE IN ONE BOX
 - LIGHT PIPE ASSEMBLIES WILL BE IN ONE BOX
 - BOTH BOXES WILL BE IN A MASTER CARTON
5. MATES WITH: MOLEX CABLE SERIES 111068 & 111073
6. RECOMMENDED MOUNTING HARDWARE: REFER TO APPLICATION SPECIFICATION AS-76866-001
7. PLUG MODULE PCB LAYOUT REFER TO SD-76866-9900

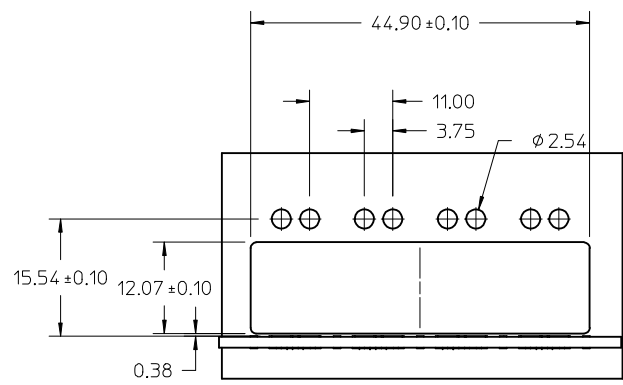
REV'D NOTES EC NO: UCP2015-5060 DRW: KALLASHAN 2015/06/01 CHKD: TMCLELLAND 2015/06/03 APPR: TMCLELL 2015/06/18	DESCRIPTION D6	QUALITY SYMBOLS	GENERAL TOLERANCES (UNLESS SPECIFIED)		DIMENSION STYLE MM ONLY		SCALE 2:1	DESIGN UNITS METRIC	THIRD ANGLE PROJECTION		
		▽=0	mm	INCH	DRAWN BY KLANG	DATE 2009/05/01	IPASS PLUS HD 1X4 ASSEMBLY LIGHT PIPE molex DOCUMENT NO. SD-76866-023 SHEET NO. 1 OF 5				
		▽=0	4 PLACES ± ---	± ---	CHECKED BY TMCLELLAND	DATE 2013/10/16					
		▽=0	3 PLACES ± ---	± ---	APPROVED BY MBANAKIS	DATE 2010/01/14					
▽=0	2 PLACES ± 0.13	± ---	MATERIAL NO. 76866-0123								
			ANGULAR ±1/2°		SIZE C		THIS DRAWING CONTAINS INFORMATION THAT IS PROPRIETARY TO MOLEX INCORPORATED AND SHOULD NOT BE USED WITHOUT WRITTEN PERMISSION				
			DRAFT WHERE APPLICABLE MUST REMAIN WITHIN DIMENSIONS								



AS APPLIED TO PCB



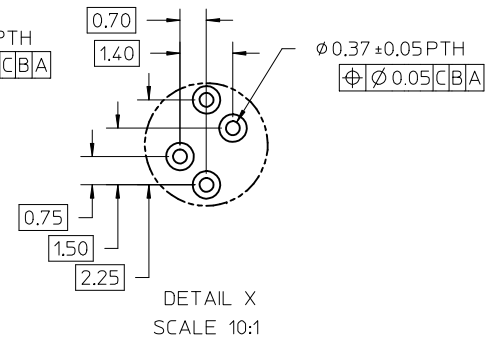
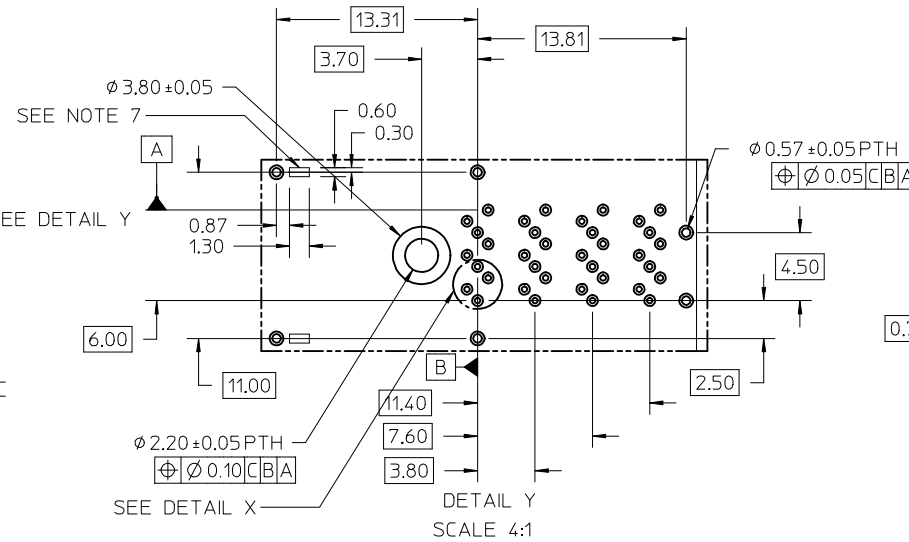
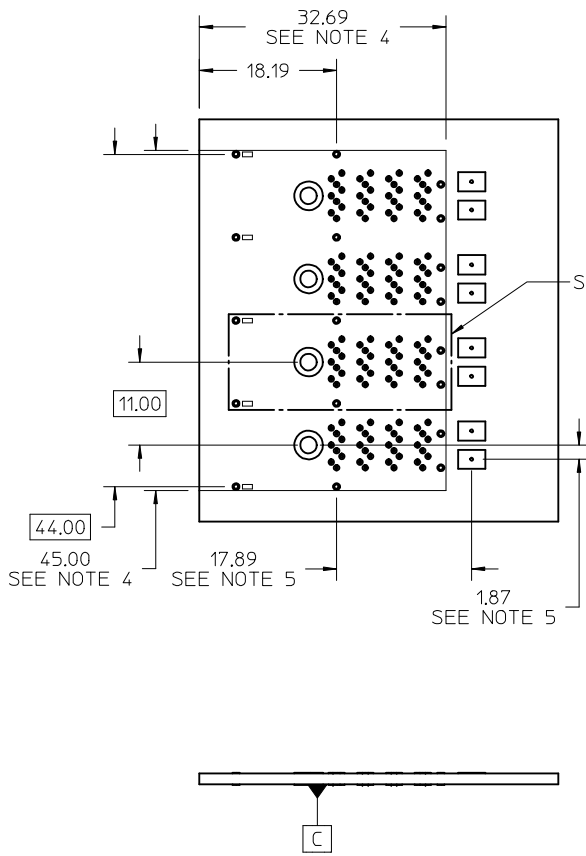
ASSEMBLED VIEW



I/O BRACKET CUT OUT
(BRACKET NOT SUPPLIED)

SEE SHEET 1 EC NO: UCP2015-5060 DRINKCALLAGHAN 2015/06/01 CHKD: TMCCLELLAND 2015/06/03 APPR: TMCCLELL 2015/06/18	QUALITY SYMBOLS	GENERAL TOLERANCES (UNLESS SPECIFIED)	DIMENSION STYLE	SCALE	DESIGN UNITS	THIRD ANGLE PROJECTION
	▽=0	mm INCH	MM ONLY	2:1	METRIC	
	▽=0	4 PLACES ± --- ± ---	DRAWN BY DATE			IPASS PLUS HD 1X4 ASSEMBLY LIGHT PIPE molex
	▽=0	3 PLACES ± --- ± ---	KLANG 2009/05/01	TITLE		
▽=0	2 PLACES ± 0.13 ± ---	1 PLACE ± 0.25 ± ---	CHECKED BY DATE			SD-76866-023 SHEET NO. 2 OF 5
	0 PLACE ± ±	1 PLACE ± 0.25 ± ---	TMCCLELLAND 2013/10/16	APPROVED BY DATE		
		ANGULAR ±1/2°	MBANAKIS 2010/01/14	MATERIAL NO.		
		DRAFT WHERE APPLICABLE MUST REMAIN WITHIN DIMENSIONS	SEE SHEET 1	DOCUMENT NO.		
			SIZE C	THIS DRAWING CONTAINS INFORMATION THAT IS PROPRIETARY TO MOLEX INCORPORATED AND SHOULD NOT BE USED WITHOUT WRITTEN PERMISSION		

RECOMMENDED FOOTPRINT



NOTES:

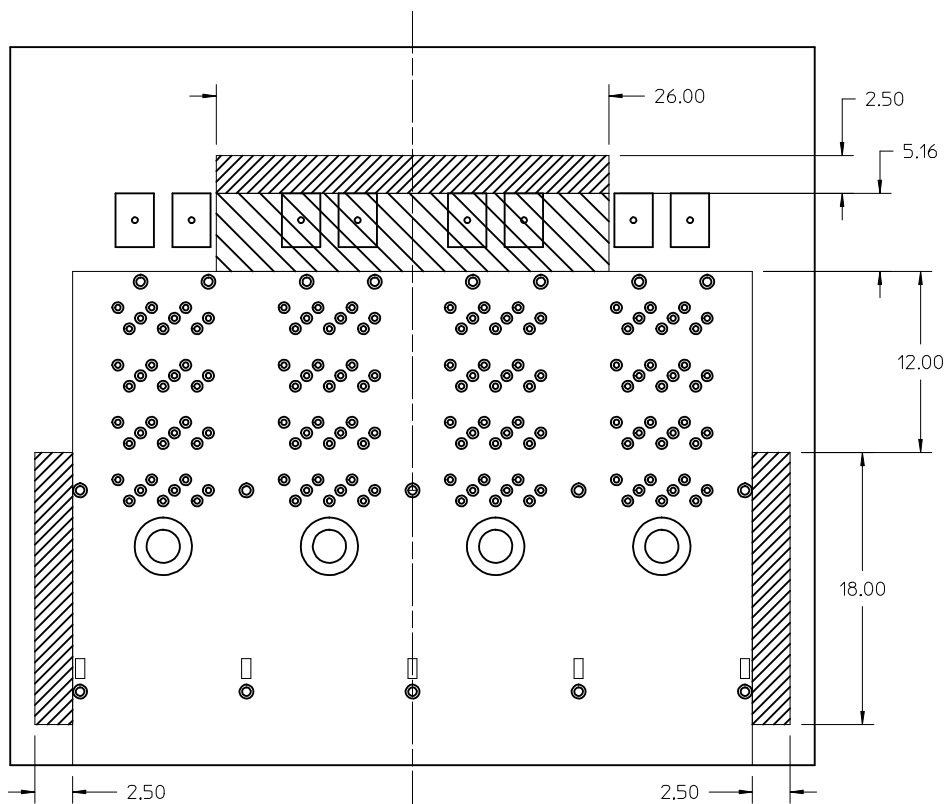
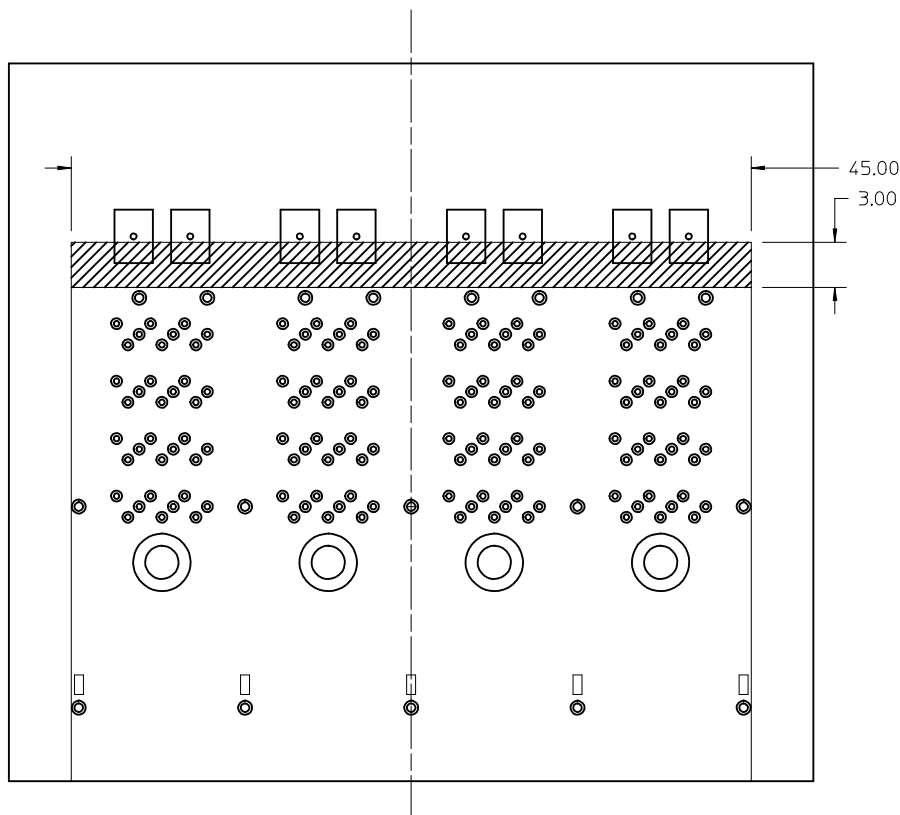
1. RECOMMENDED DRILL SIZE AND ANNULAR RING FOR 0.37 ϕ FINISHED PTH - REFER TO APPLICATION SPECIFICATION AS-76866-001
2. MINIMUM RECOMMENDED SPACING: 47.00MM
3. MINIMUM PCB THICKNESS: 1.57MM
4. CONNECTOR KEEPOUT AREA
5. LOCATION OF LED CENTER LINE
6. RECOMMENDED DRILL SIZE AND ANNULAR RING FOR 0.57 ϕ FINISHED PTH - REFER TO APPLICATION SPECIFICATION AS-76866-001
7. CAGE STAND OFF AREA, NO TRACES ON SURFACE OF PCB IN THESE AREAS

SEE SHEET 1 EC NO: UCP2015-5060 DRINKKALLAGHAN 2015/06/01 CHKD:TMCCLELLAND 2015/06/03 APPR:TMCCLELL 2015/06/18	DESCRIPTION REV	QUALITY SYMBOLS	GENERAL TOLERANCES (UNLESS SPECIFIED)	DIMENSION STYLE MM ONLY	SCALE 2:1	DESIGN UNITS METRIC	THIRD ANGLE PROJECTION	
		▽=0	4 PLACES ± --- ± ---	DRAWN BY KLANG	DATE 2009/05/01	TITLE IPASS PLUS HD 1X4 ASSEMBLY LIGHT PIPE molex DOCUMENT NO. SD-76866-023 SHEET NO. 3 OF 5		
		▽=0	3 PLACES ± --- ± ---	CHECKED BY TMCCLELLAND	DATE 2013/10/16			
		▽=0	2 PLACES ± 0.13 ± ---	APPROVED BY MBANAKIS	DATE 2010/01/14			
▽=0	1 PLACE ± 0.25 ± ---	MATERIAL NO.						
D6	REV	ANGULAR ±1/2°	DRAFT WHERE APPLICABLE MUST REMAIN WITHIN DIMENSIONS	SIZE C	THIS DRAWING CONTAINS INFORMATION THAT IS PROPRIETARY TO MOLEX INCORPORATED AND SHOULD NOT BE USED WITHOUT WRITTEN PERMISSION			

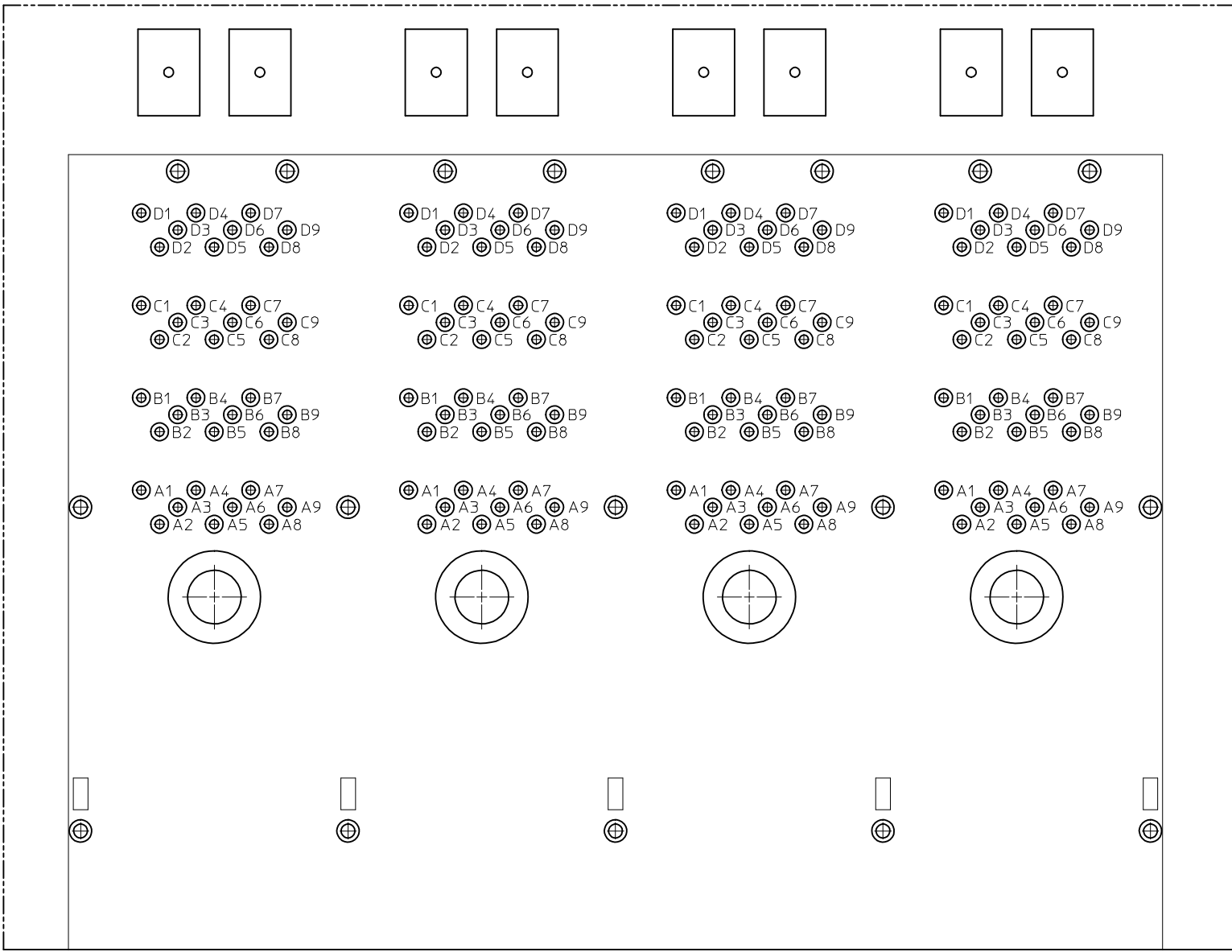
RECOMMENDED TOOLING KEEP OUT AREAS

RECOMMENDED INSERTION TOOL
KEEP OUT AREA
NO COMPONENTS IN THIS AREA
MORE THAN 7.50 mm TALL

RECOMMENDED EXTRACTION TOOL
KEEP OUT AREA
NO COMPONENTS IN THESE AREAS
NO COMPONENTS IN THIS AREA
MORE THAN 5.00 mm TALL



SEE SHEET 1 EC NO: UCP2015-5060 DRAWN/CALLAGHAN 2015/06/01 CHKD:TMCCLELLAND 2015/06/03 APPR:TMCCLELL 2015/06/18	DESCRIPTION REV	QUALITY SYMBOLS	GENERAL TOLERANCES (UNLESS SPECIFIED)	DIMENSION STYLE MM ONLY	SCALE 4:1	DESIGN UNITS METRIC	THIRD ANGLE PROJECTION
		▽=0 ▽=0 ▽=0	mm INCH	DRAWN BY DATE KLANG 2009/05/01	TITLE IPASS PLUS HD 1X4 ASSEMBLY LIGHT PIPE		
D6	REV		4 PLACES ± --- ± ---	CHECKED BY DATE TMCCLELLAND 2013/10/16	DOCUMENT NO. SD-76866-023		
			3 PLACES ± --- ± ---	APPROVED BY DATE MBANAKIS 2010/01/14			
			2 PLACES ± 0.13 ± ---	SHEET NO. 4 OF 5			
			1 PLACE ± 0.25 ± ---				
			0 PLACE ± ±	THIS DRAWING CONTAINS INFORMATION THAT IS PROPRIETARY TO MOLEX INCORPORATED AND SHOULD NOT BE USED WITHOUT WRITTEN PERMISSION			
			ANGULAR ±1/2°				
DRAFT WHERE APPLICABLE MUST REMAIN WITHIN DIMENSIONS			SIZE C	SEE SHEET 1			



Partial1
SCALE 8:1

CIRCUIT IDENTIFICATION

SEE SHEET 1 EEC NO: UCP2015-5060 DRWNK:CALLAGHAN 2015/06/01 CHKD:TMCCLELLAND 2015/06/03 APPR:TMCCLELL 2015/06/18	QUALITY SYMBOLS ▽=0 ▽=0 ▽=0	GENERAL TOLERANCES (UNLESS SPECIFIED) <table border="1"> <thead> <tr> <th></th> <th>mm</th> <th>INCH</th> </tr> </thead> <tbody> <tr> <td>4 PLACES</td> <td>± ---</td> <td>± ---</td> </tr> <tr> <td>3 PLACES</td> <td>± ---</td> <td>± ---</td> </tr> <tr> <td>2 PLACES</td> <td>± 0.13</td> <td>± ---</td> </tr> <tr> <td>1 PLACE</td> <td>± 0.25</td> <td>± ---</td> </tr> <tr> <td>0 PLACE</td> <td>±</td> <td>±</td> </tr> </tbody> </table>		mm	INCH	4 PLACES	± ---	± ---	3 PLACES	± ---	± ---	2 PLACES	± 0.13	± ---	1 PLACE	± 0.25	± ---	0 PLACE	±	±	DIMENSION STYLE MM ONLY DRAWN BY DATE KLANG 2009/05/01 CHECKED BY DATE TMCCLELLAND 2013/10/16 APPROVED BY DATE MBANAK I S 2010/01/14	SCALE 8:1 DESIGN UNITS METRIC	THIRD ANGLE PROJECTION
		mm	INCH																				
	4 PLACES	± ---	± ---																				
	3 PLACES	± ---	± ---																				
2 PLACES	± 0.13	± ---																					
1 PLACE	± 0.25	± ---																					
0 PLACE	±	±																					
D6	DRAFT WHERE APPLICABLE MUST REMAIN WITHIN DIMENSIONS	MATERIAL NO. SEE SHEET 1	DOCUMENT NO. SD-76866-023	SHEET NO. 5 OF 5	TITLE IPASS PLUS HD 1X4 ASSEMBLY LIGHT PIPE molex																		
THIS DRAWING CONTAINS INFORMATION THAT IS PROPRIETARY TO MOLEX INCORPORATED AND SHOULD NOT BE USED WITHOUT WRITTEN PERMISSION																							