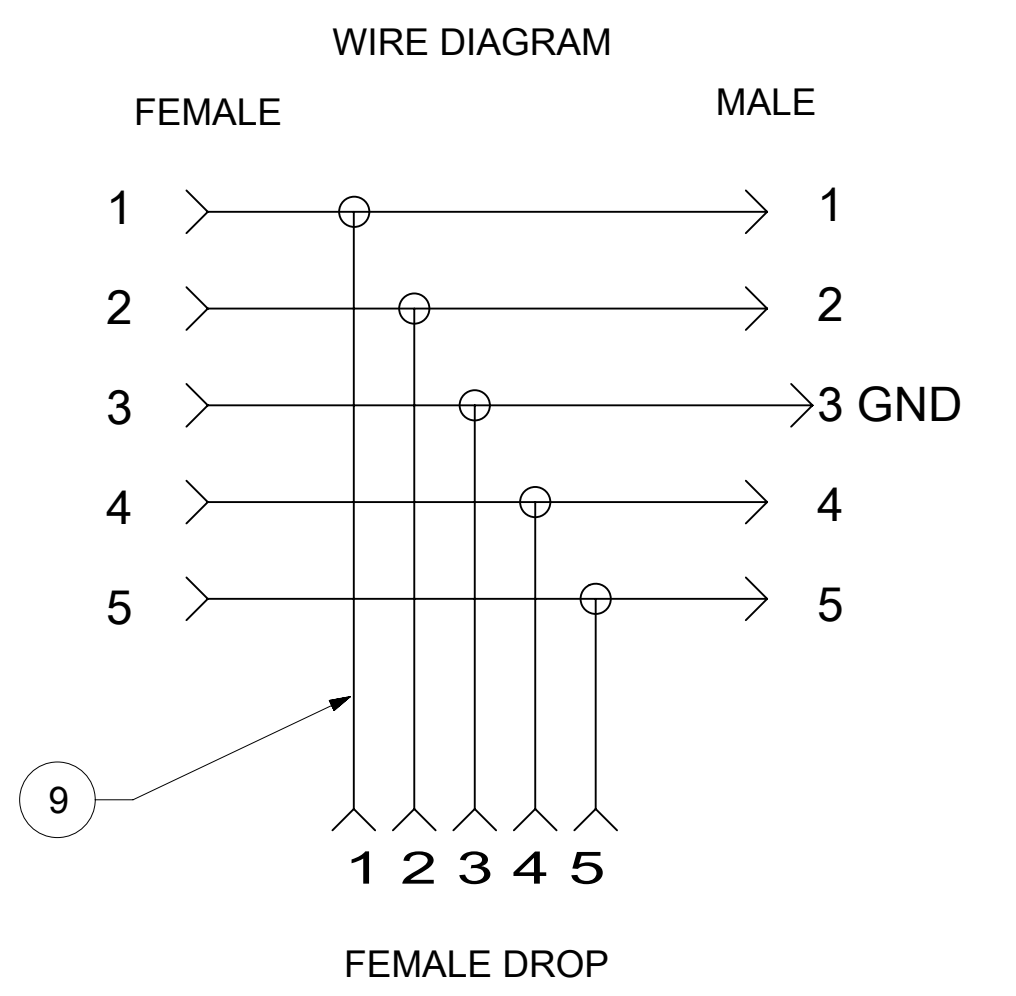
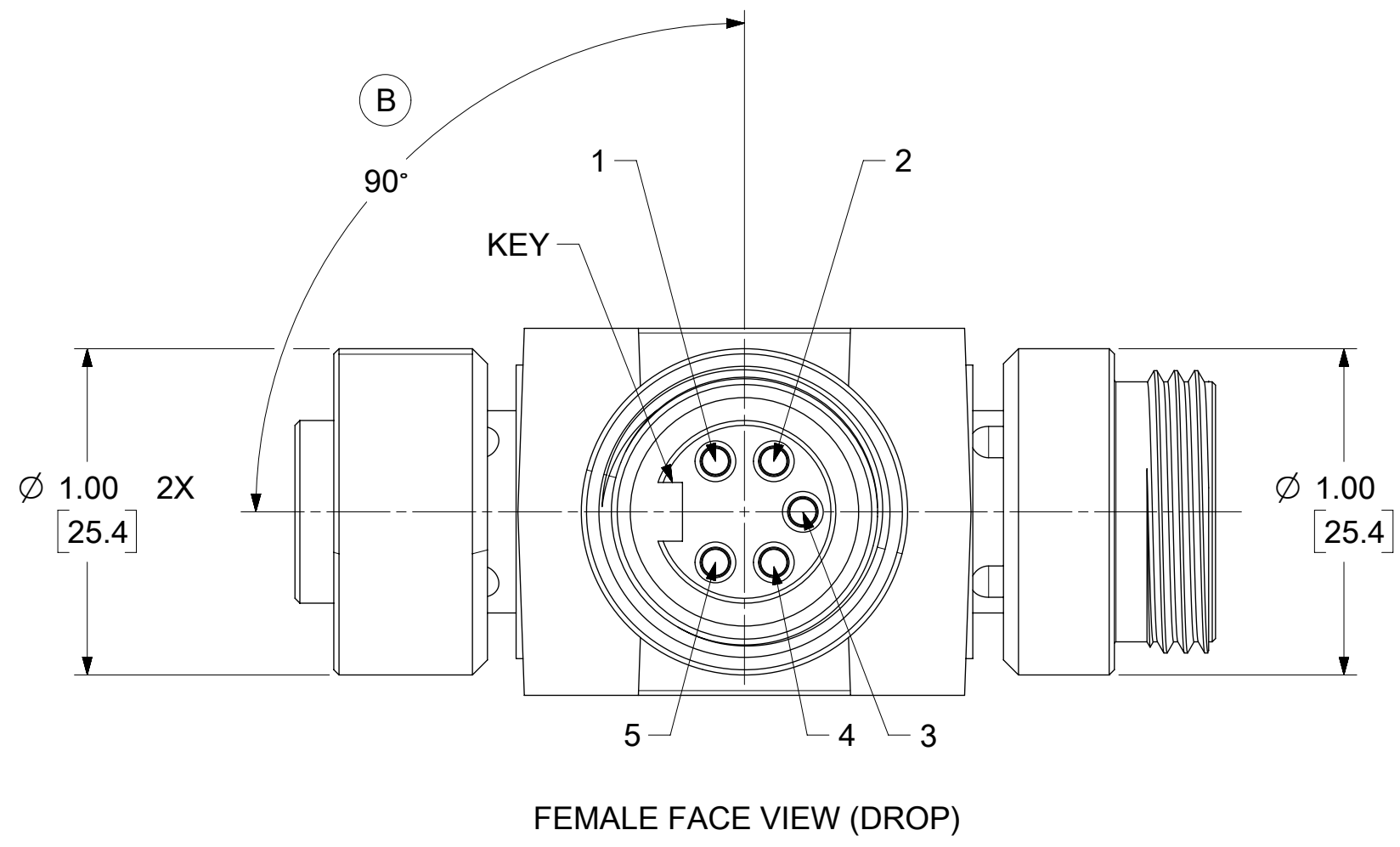
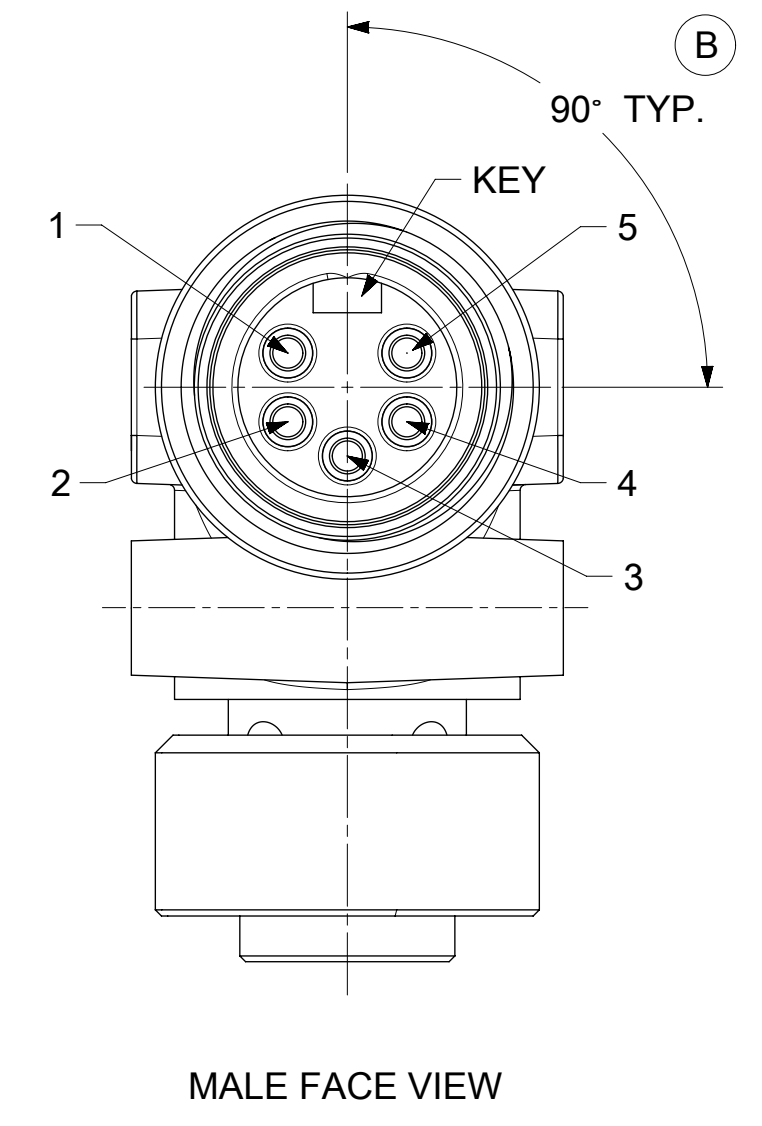
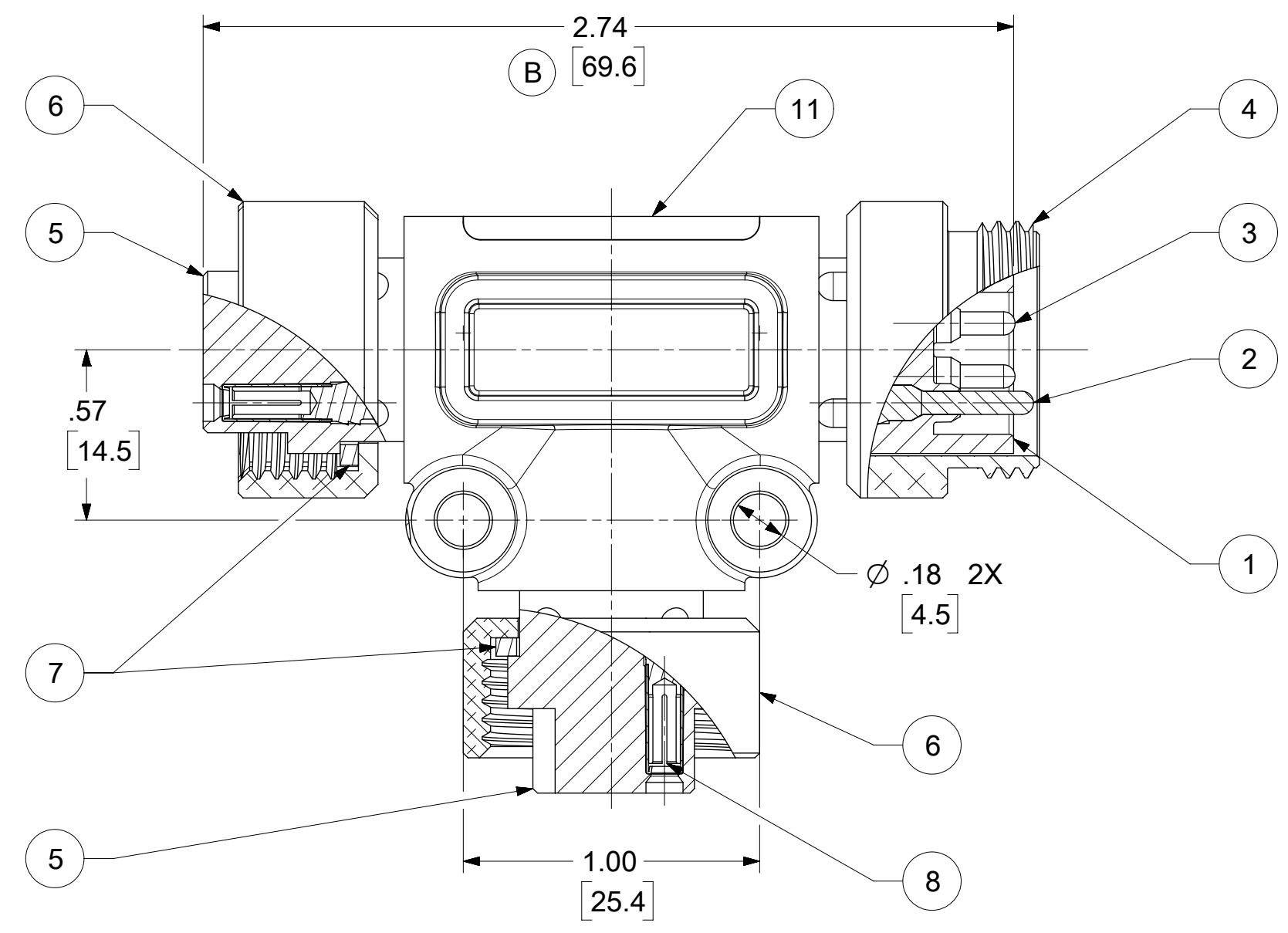
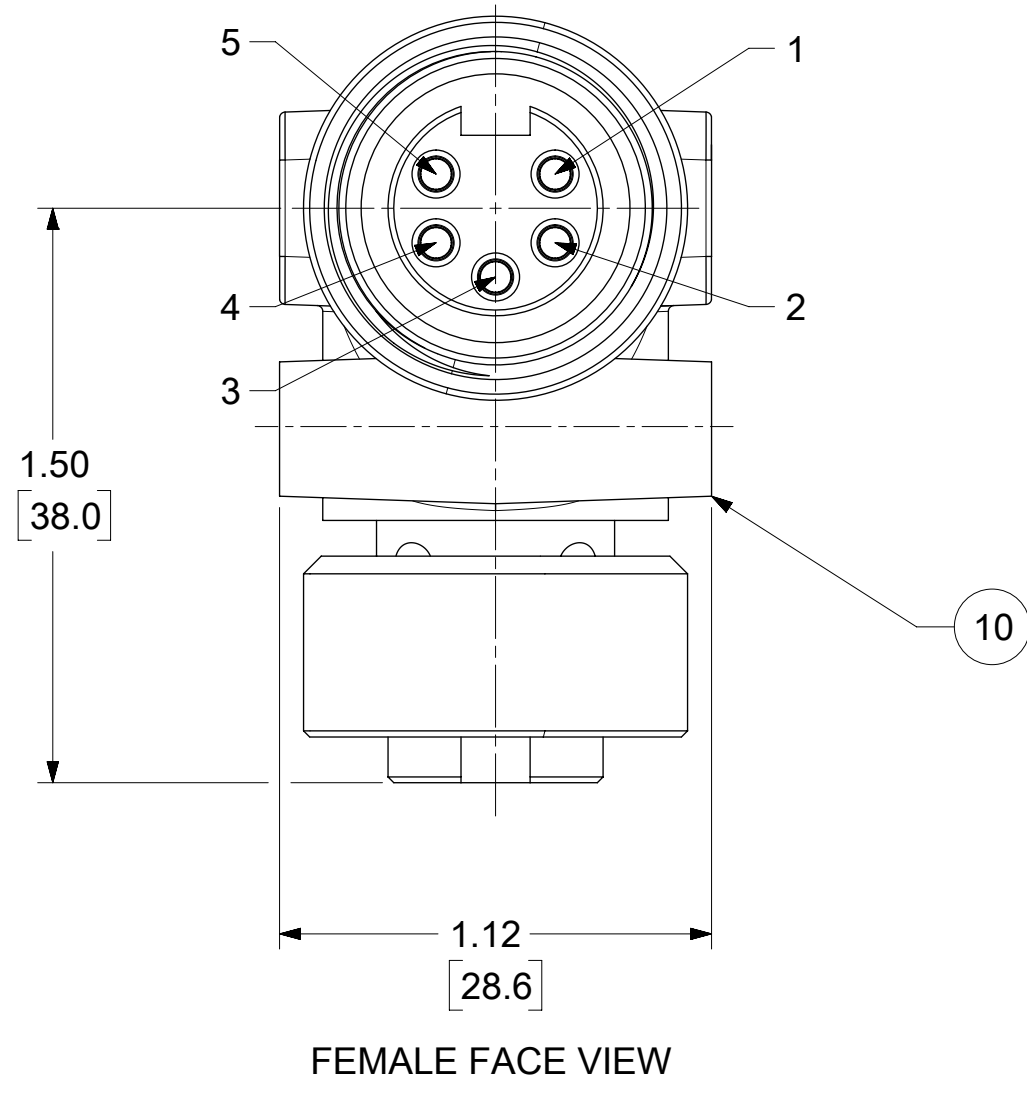


PART NO.	ENG. NO.
848569104	NMEA-DN3020NB



ENG. NO.
YYMMDD
300V, 5.6A

(B) LABEL DETAIL (11)

11	ID LABEL	POLYPROPYLENE	CLEAR
10	OVERMOLD	TPE	GRAY
9	WIRE, 18AWG (UL1015)	PCV	
8	CONTACT SOCKET, DROP	Cu ALLOY	GOLD PLATED
7	FRICTION RING	NYLON	WHITE
6	FEMALE COUPLING	BRASS	NICKEL PLATE
5	FEMALE INSERT, 5P	TPE	BLACK
4	MALE COUPLING	BRASS	NICKEL PLATE
3	CONTACT PIN/SOCKET SIGNAL	Cu ALLOY	GOLD PLATED
2	CONTACT PIN/SOCKET GROUND	Cu ALLOY	GOLD PLATED
1	MALE INSERT, 5P	TPE	BLACK
ITEM	DESCRIPTION	MATERIAL	FINISH

- NOTES:
1. MATERIAL: AS NOTED
 2. FINISH: AS NOTED
 3. ELECTRICAL:
VOLTAGE; 300V, 5.6A (B)
CURRENT: 2A
 4. TEMP RATING: -20°TO +80°C
 5. PROTECTION: IP67 (WHEN MATED)
 6. COUPLING THREAD: 7/8-16 UN
 7. ALL DIMS ARE FOR REFERENCE UNLESS TOLERANCED OR NOTED OTHERWISE

FUNCTIONAL SYMBOLS	THIS DRAWING CONTAINS INFORMATION THAT IS PROPRIETARY TO MOLEX ELECTRONIC TECHNOLOGIES, LLC AND SHOULD NOT BE USED WITHOUT WRITTEN PERMISSION		CURRENT REV DESC: REDRAWN TO NX, LABEL DETAIL, UPDATE NOTES, INSERTS WERE GRAY	
	DIMENSION UNITS	SCALE		
$F_A = 0$	IN/MM	2:1		
$F_C = 0$	GENERAL TOLERANCES (UNLESS SPECIFIED)			
$F_P = 0$		MM	INCH	
DIVISIONAL SYMBOLS	4 PLACES	±	±	
	3 PLACES	±	±	
	2 PLACES	±	±	
	1 PLACE	±	±	
	0 PLACES	±	±	
	ANGULAR TOL	±	°	
	DRAFT WHERE APPLICABLE MUST REMAIN WITHIN DIMENSIONS	THIRD ANGLE PROJECTION		
		DRAWING	SERIES	
		C-SIZE	84856	
EC NO: 705031		DRWN: RSTONE	2022/04/14	
CHK'D: MZIELINSKI		APPR: BWOODMAN	2022/05/04	
INITIAL REVISION:		DRWN: RSTONE	2010/01/21	
		APPR: JFMURPHY	2010/01/25	
DOCUMENT NUMBER		DOC TYPE	DOC PART	REVISION
SD-84856-013		PSD	001	B
MATERIAL NUMBER		CUSTOMER		SHEET NUMBER
SEE P/N CHART		GENERAL MARKET		1 OF 1