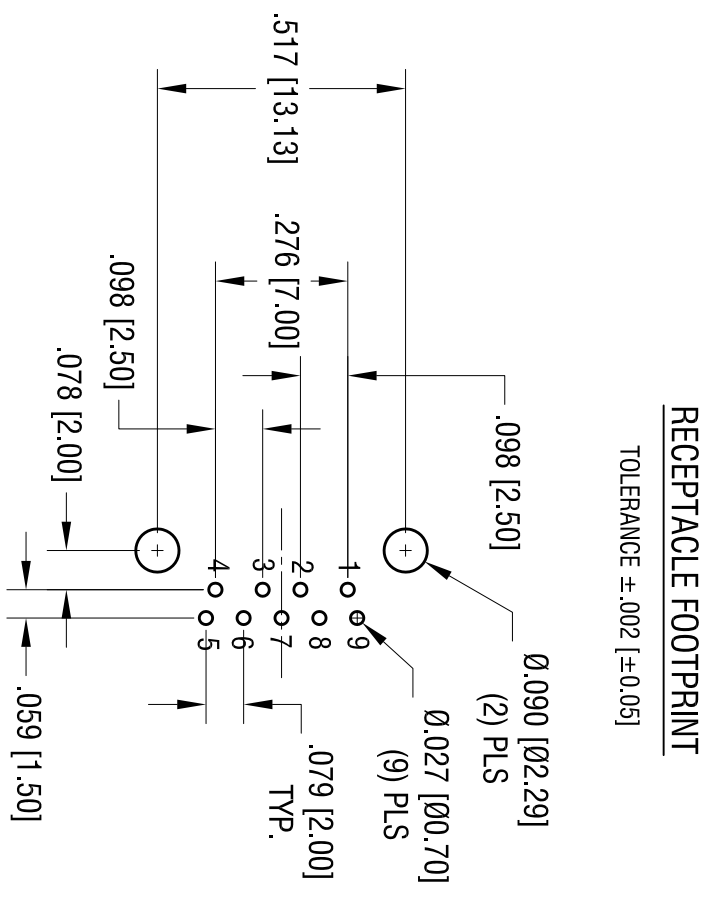
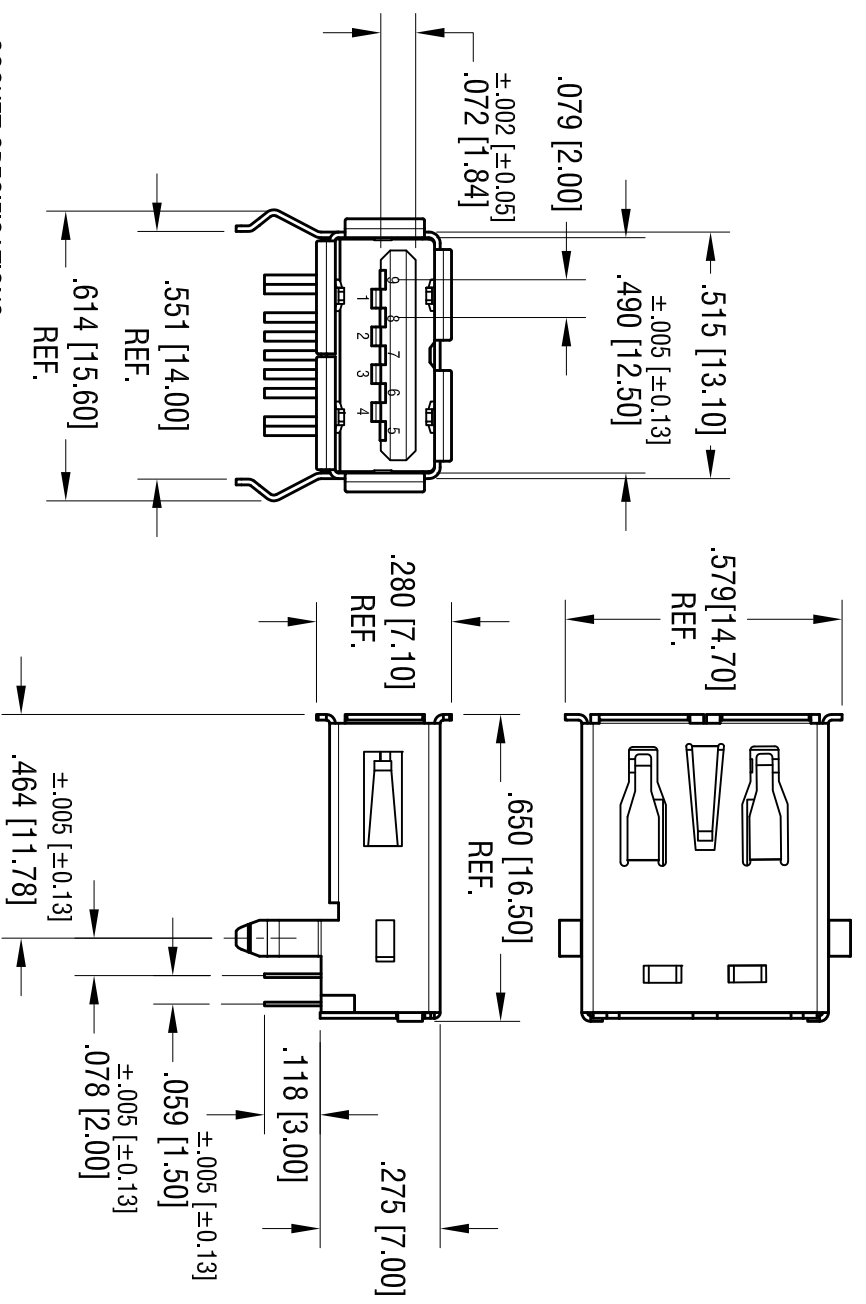


DATE	DESCRIPTION	REV.
5.31.11	CHANGE AS PER ECN 11-073	A

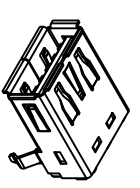


SOCKET SPECIFICATIONS:

- SHELL: MAT'L- BRASS, NICKEL PLATE
- CONTACT: MAT'L-.008 [0.20] PHOSPHOR BRONZE AND .008 [0.20] BRASS
- INSULATION: MAT'L- THERMOPLASTIC (BLUE COLOR), UL 94V-0
- FINISH- GOLD FLASH OVER NICKEL ON CONTACT AREA
- TIN OVER NICKEL ON SOLDER TAILS

ELECTRICAL CHARACTERISTICS:

- CONTACT RESISTANCE: 30m Ω max.
- INSULATION RESISTANCE: 1000 mega Ω min.
- DIELECTRIC VOLTAGE : 1.8 Amp AT 250 V AC MIN.
- OPERATING TEMPERATURE: -13°F (-25°C) TO 176°F (+80°C)
- MECHANICAL CHARACTERISTICS:
- INSERTION FORCE: 35N MAX.
- EXTRACTION FORCE: 10 N MIN. , AND 8N MIN. AFTER THE SPECIFIED



ACTUAL SIZE

THIS DOCUMENT IS THE PROPERTY OF KEYSTONE ELECTRONICS CORP. AND SHALL NOT BE REPRODUCED, DISTRIBUTED OR USED AS A BASIS FOR MANUFACTURE WITHOUT PRIOR WRITTEN PERMISSION FROM KEYSTONE ELECTRONICS CORP.

KEYSTONE ELECTRONICS CORP.			
www.keystoneco.com • NEW HYDE PARK, NY 11040 • Tel (516) 328-7500			
PART NAME		USB TYPE A RECEPTICLE	
MATERIAL		AS NOTED	
FINISH	AS NOTED	DRN BY	NT
TOLERANCES	INCH [MM]	DATE	4.06.10
DECIMAL	± .010 [± 0.25]	App'd	LN
ANGULAR	± 1°	SCALE	2.5X
CODE	C	DWG NO.	945