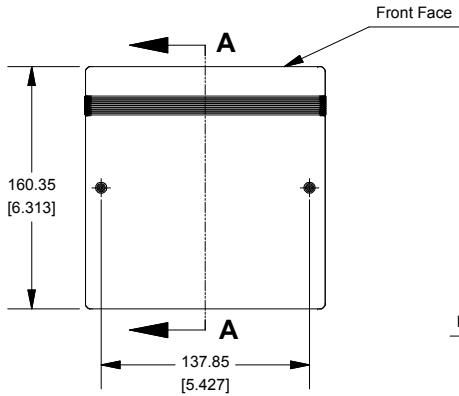
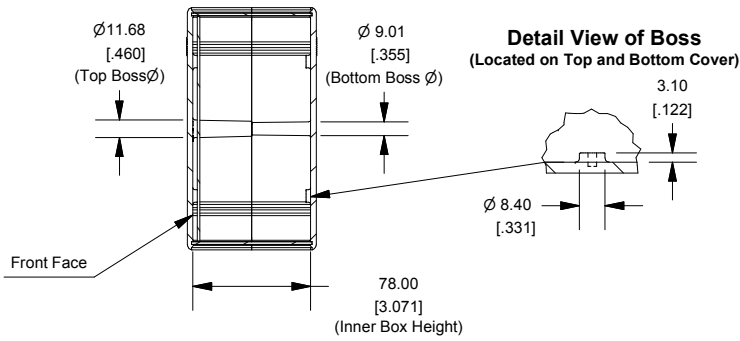


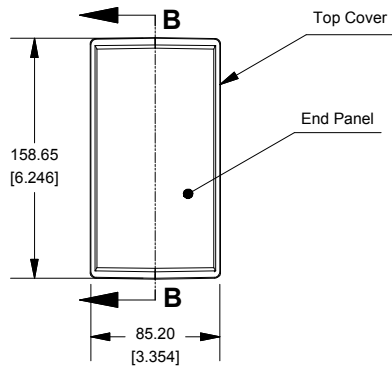
**Bottom View of Assembly**



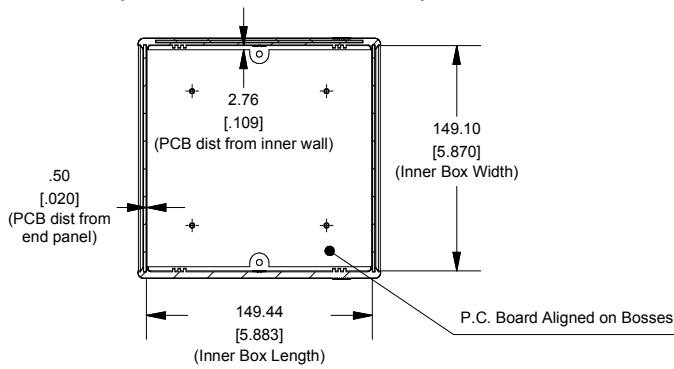
**SECTION A-A  
(Side View Inside Assembly)**



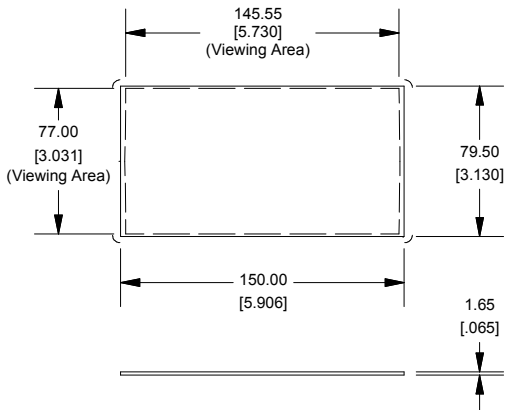
**End View of Assembly**



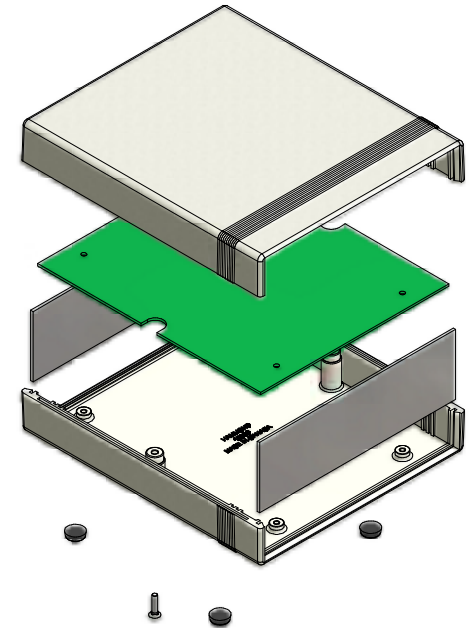
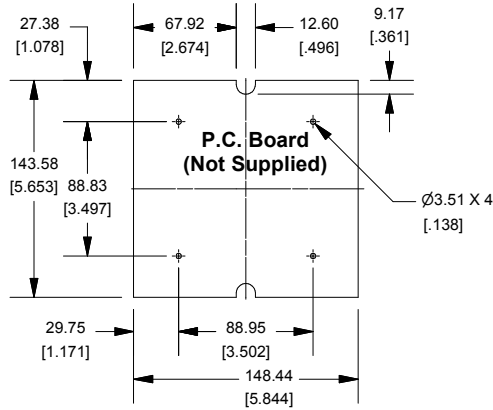
**SECTION B-B  
(Inside of Bottom Cover)**



**Front/Rear Panel  
(Dashed Line Indicates Viewing Area)**



**Maximum P.C. Board Size**



Enclosures can be Factory Modified ( Milling, Drilling, Printing etc. )  
Solid models of this enclosure available in STEP or IGES.  
Contact Factory [mjm@hammondmfg.com](mailto:mjm@hammondmfg.com)

**NOTE**  
Purchased Assembly includes top and bottom cover, front and end aluminum panels (alloy 5052-H32, SPV coating on one side), 2 cover screws, and 4 rubber feet.

<b>1598E Instrument Case</b>	
<b>FLAME RETARDANT ABS (UL94-VO)</b>	
Black Enclosure with Aluminum Panels	1598EBK
Grey Enclosure with Aluminum Panels	1598EGY
Black EMI/RFI Shielded	1598REBK
<b>NON-FLAME RETARDANT GPABS (UL94-HB)</b>	
Grey Enclosure with Aluminum Panels	1598ESGY
Grey Enclosure with Black Plastic Panels	1598ESGYPBK
<b>ACCESSORIES</b>	
Black Plastic Panels	1598PLEBK
Rubber Feet (Pkg 24)	1421T2
For 1598 FR-ABS Cover Screws (Pkg 100) [M3 - 0.5 x 10mm]	1591MS100
For 1598 GPABS Cover Screws (Pkg 100) [#4 x 5/8" (15.9mm)]	1591TS100
For Both Models PCB Screws (Pkg 100) [#6 x 1/4" (6.4mm)]	1598ATS100

