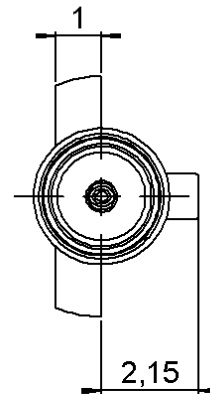
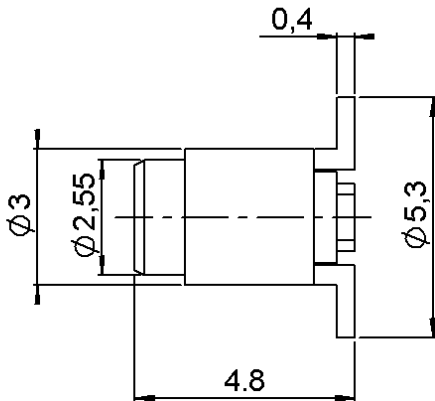


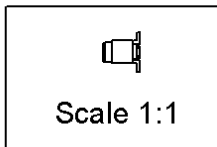
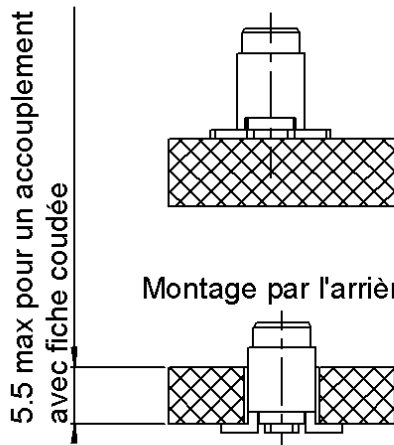
SMT RECEPTACLE FOR PCB

**R199.005.523**

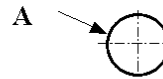
Series : MC-CARD



Montage en surface

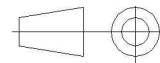


PANEL CUT OUT



mm	
	Maxi mini
A	3.40 3.20

Uniquement pour montage arrière



All dimensions are in mm.

COMPONENTS	MATERIALS	PLATINGS (µm)
BODY	BRASS	GOLD 0.5 OVER NICKEL 2
CENTER CONTACT	BERYLLIUM COPPER	GOLD 1.3 OVER NICKEL 2
OUTER CONTACT	BRASS	GOLD 0.5 OVER NICKEL 2
INSULATOR	PTFE	
GASKET		
OTHERS PARTS		
.	.	.
.	.	.

Issue : 0430 D

In the effort to improve our products, we reserve the right to make changes judged to be necessary.



**SMT RECEPTACLE FOR PCB**

**R199.005.523**

Series : **MC-CARD**

**PACKAGING**

**SPECIFICATION**

Standard	Unit	Other
<b>1</b>	-	<b>Contact us</b>

**917 686 82**

**ELECTRICAL CHARACTERISTICS**

**ENVIRONMENTAL**

Impedance **50** Ω  
 Frequency **0-8** GHz  
 VSWR **1.15 + 0.015** x F(GHz) Maxi  
 Insertion loss **.07** √F(GHz) dB Maxi  
 RF leakage - ( **- F(GHz)** ) dB Maxi  
 Voltage rating **170** Veff Maxi  
 Dielectric withstanding voltage **500** Veff mini  
 Insulation resistance **5000** MΩ mini

Operating temperature **-65/+165** ° C  
 Hermetic seal **NA** Atm.cm3/s  
 Panel leakage **NA**

**OTHERS CHARACTERISTICS**

Assembly instruction

Others :

**MECHANICAL CHARACTERISTICS**

Center contact retention  
 Axial force – Mating end **NA** N mini  
 Axial force – Opposite end **NA** N mini  
 Torque **NA** N.cm mini

Recommended torque  
 Mating **NA** N.cm  
 Panel nut **NA** N.cm

Mating life **500** Cycles mini  
 Weight **0.153** g

Issue : 0430 D

In the effort to improve our products, we reserve the right to make changes judged to be necessary.



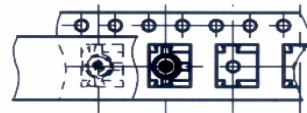
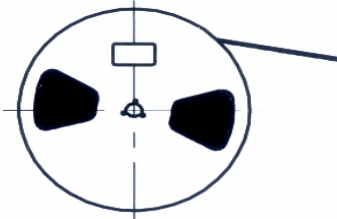
SMT RECEPTACLE FOR PCB

**R199.005.523**

Series : MC-CARD

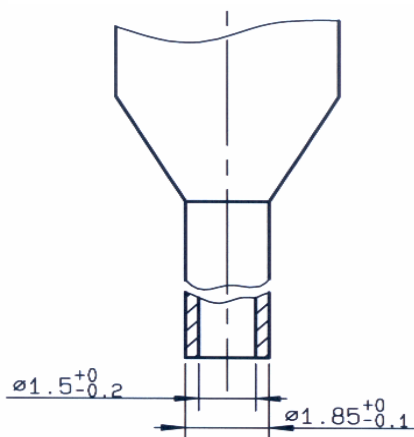
**MC-CARD SERIES - INFORMATIONS**

R199.005.820  
Ou  
R199.005.821

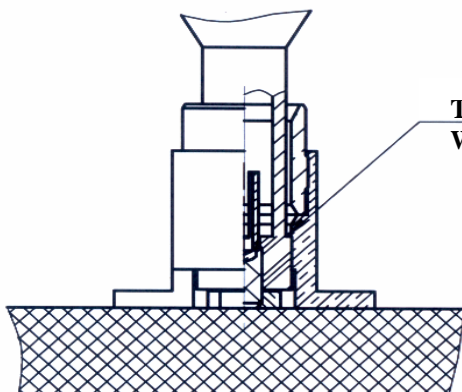


**ASPIRATION PORT**

**ALVEOLES**



TRANSLATION OF THE RECEPTACLE FROM THE REEL TO THE PCB



**THE ASPIRATION PORT SHOULD BE IN CONTACT WITH THE INSULATOR**

CI PCB

Issue : 0430 D

In the effort to improve our products, we reserve the right to make changes judged to be necessary.



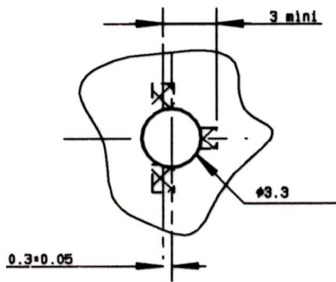
SMT RECEPTACLE FOR PCB

**R199.005.523**

Series : MC-CARD

**MC-CARD SERIES - INFORMATIONS**

Solution A



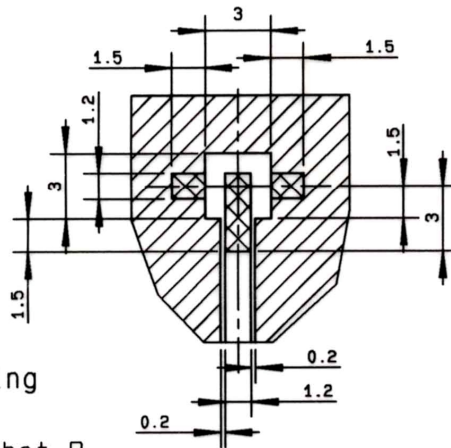
receptacle back planting

Same printed circuit that B  
+ DIA 0.13

Solution A



Solution B



Solution B



Pattern

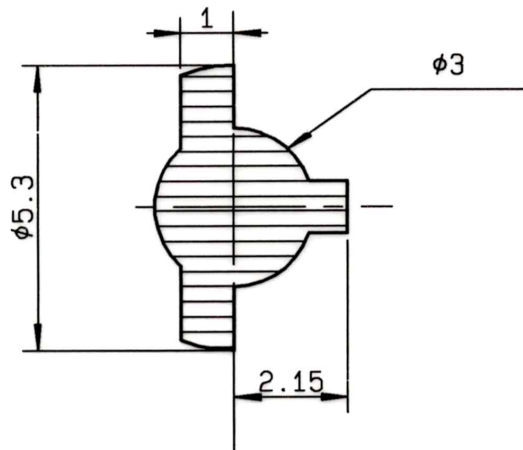


Land for solder paste

**COPLANAR LINE**

Pattern and signal are on the same side  
Thickness of PCB : .063 (1.6 mm)  
The material of PCB is the epoxy resin  
of glass fabrics base. (Er = 4.8)  
The solder resist should be printed  
except for the land pattern on the PCB.

**SHADOW OF MC-CARD RECEPTACLE  
FOR VIDEO CAMERA**



Issue : 0430 D

In the effort to improve our products, we reserve the right to make changes judged to be necessary.



**SMT RECEPTACLE FOR PCB**

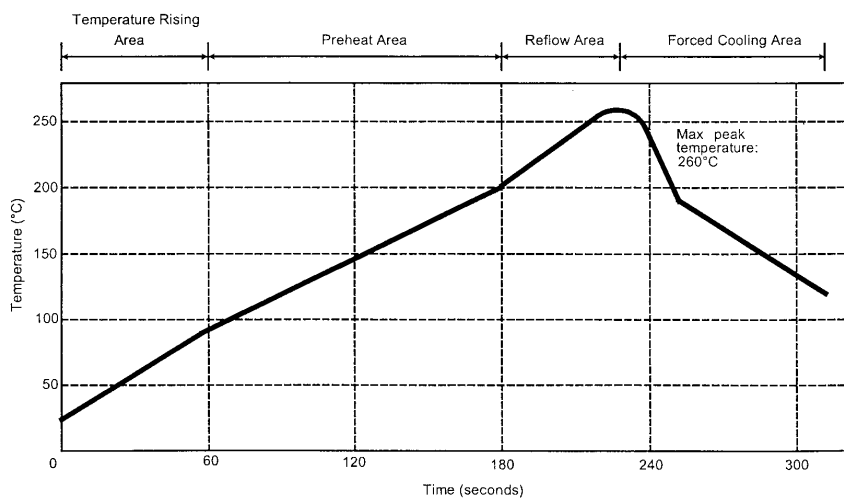
**R199.005.523**

Series : MC-CARD

**SOLDER PROCEDURE**

1. Deposition of solder paste 'Sn Ag4 Cu0.5' on mounting zone by screen printing application.  
We recommend a low residue flux.  
We advise a thickness of 200 microns. Verify that the edges of the zone are clean.
2. Placement of the receptacle on the mounting zone with an automatic machine of 'pick and place' type.  
Video camera is recommended for the positioning of the component. Adhesive agents must not be used on the receptacle.
3. Soldering by infra-red reflow.  
Below, please find the typical profile to use.
4. Cleaning of printed circuit boards.
5. Checking of solder joints and position of the component by visual inspection.

**TEMPERATURE PROFILE**



Parameter	Value	Unit
Temperature rising Area	1 - 4	°C/sec
Max Peak Temperature	260	°C
Max dwell time @260°C	10	sec
Min dwell time @235°C	20	sec
Max dwell time @235°C	60	sec
Temperature drop in cooling Area	-1 to -4	°C/sec
Max dwell time above 100°C	420	sec

Issue : 0430 D

In the effort to improve our products, we reserve the right to make changes judged to be necessary.

