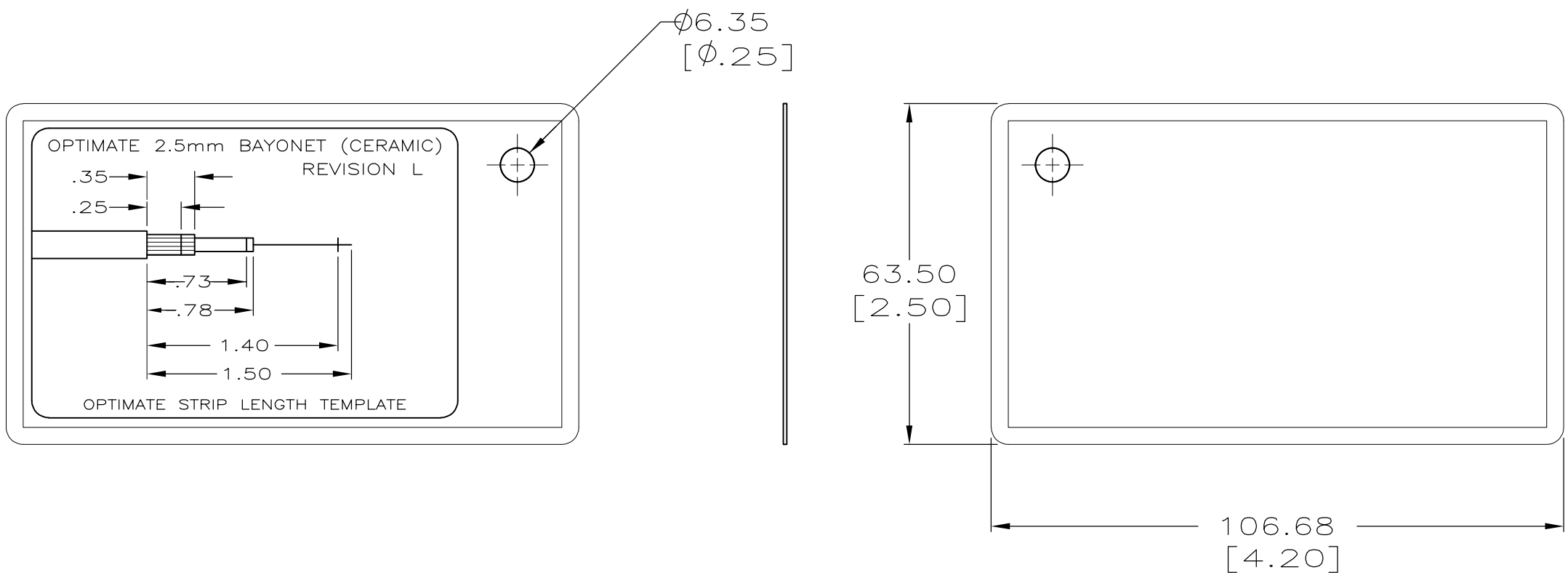


THIS DRAWING IS UNPUBLISHED. RELEASED FOR PUBLICATION  
 © COPYRIGHT - By - ALL RIGHTS RESERVED.

LOC		DIST		REVISIONS					
CE		16		P	LTR	DESCRIPTION	DATE	DWN	APVD
				D		REV PER ECO-13-014935	24SEP13	JB	TE



1. DIMENSIONS IN [ ] ARE IN INCHES.
2. STRIP LENGTH DIMENSIONS TO BE TO SCALE.

501814-1  
 PART NUMBER

THIS DRAWING IS A CONTROLLED DOCUMENT.		DWN	P.YEAGER	9-29-94	<b>TE Connectivity</b>			
DIMENSIONS: INCHES		CHK	S.BUCHTER	9-30-94				
		APVD			NAME			
0 PLC ± - 1 PLC ± - 2 PLC ± .76 [.03] 3 PLC ± - 4 PLC ± - ANGLES ± -		PRODUCT SPEC			CABLE PREPERATION TEMPLATE, 2.5mm BAYONET CERAMIC			
MATERIAL		APPLICATION SPEC			SIZE	CAGE CODE	DRAWING NO	RESTRICTED TO
FINISH		WEIGHT			A3	00779	C-501814	-
CUSTOMER DRAWING					SCALE	1:1	SHEET	1 OF 1
					REV D			