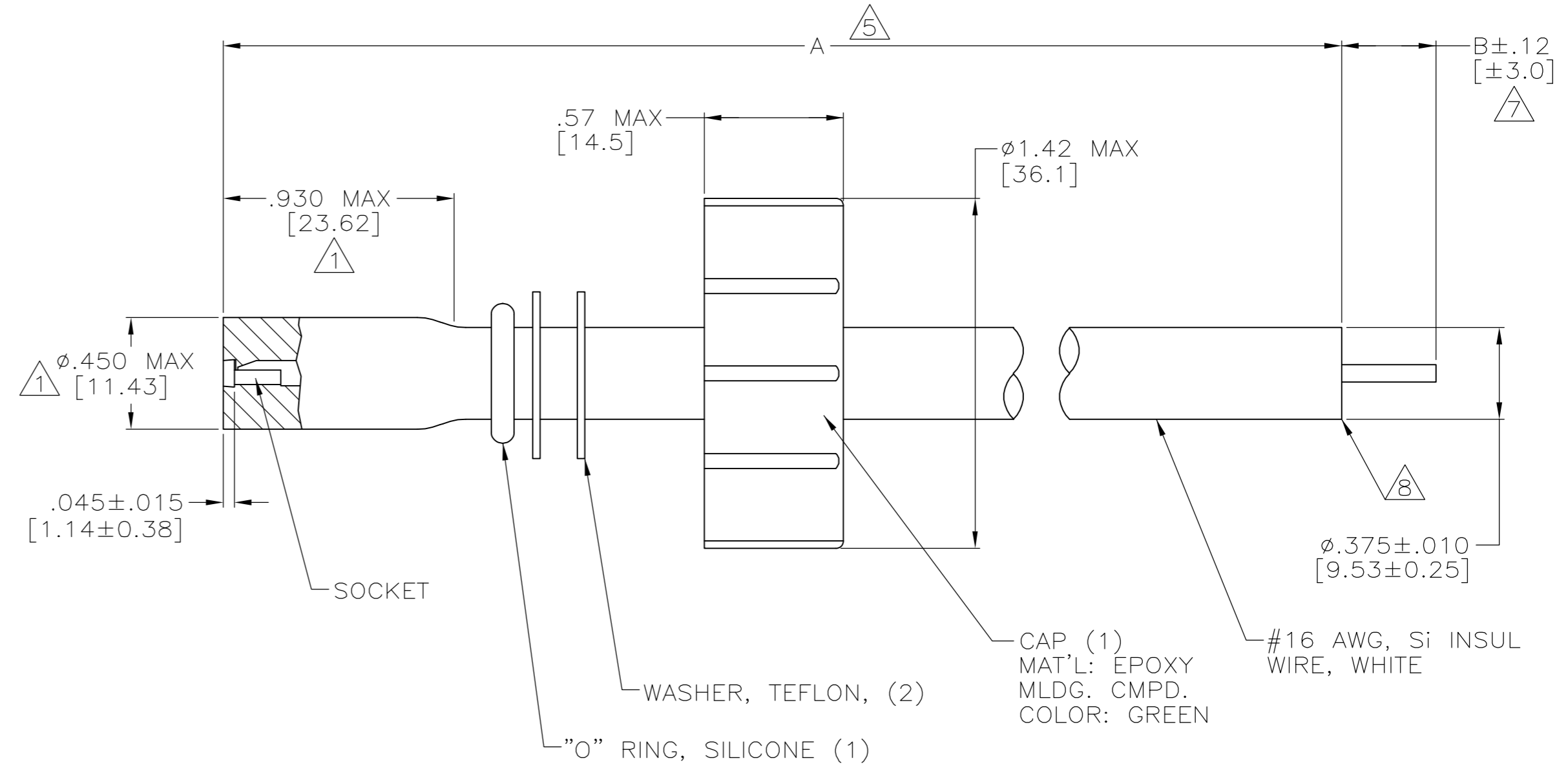


THIS DRAWING IS UNPUBLISHED. RELEASED FOR PUBLICATION - N/A .
 © COPYRIGHT N/A BY TYCO ELECTRONICS CORPORATION. ALL RIGHTS RESERVED.

LOC	DIST	REVISIONS					
DF	SO	P	LTR	DESCRIPTION	DATE	DWN	APVD
		P		REV PER ECO-05-002357	08-05	AA	DE

PART NO.	A	B	REMARKS
836566-1	6.00 [152.4]	.38 [9.7]	△ OBSOLETE
836566-2	12.00 [304.8]	.38 [9.7]	△ OBSOLETE
836566-3	18.00 [457.2]	.38 [9.7]	△ OBSOLETE
836566-4	24.00 [609.6]	.38 [9.7]	△ OBSOLETE
836566-5	36.00 [914.4]	.38 [9.7]	△ OBSOLETE
836566-6	60.00 [1524.0]	.38 [9.7]	△ OBSOLETE
836566-7	15.00 [381.0]	.38 [9.7]	△
836566-8	17.00 [431.8]	.38 [9.7]	△
836566-9	32.00 [812.8]	.38 [9.7]	△ OBSOLETE
1-836566-0	20.00 [508.0]	.38 [9.7]	△ OBSOLETE
1-836566-1	144.00 [3657.6]	.38 [9.7]	△ OBSOLETE
1-836566-2	6.00 [152.4]	-	△ OBSOLETE
1-836566-3	72.00 [1828.8]	.38 [9.7]	△ OBSOLETE
1-836566-4	96.00 [2438.4]	.38 [9.7]	△ OBSOLETE
1-836566-5	120.00 [3048.0]	.38 [9.7]	△ OBSOLETE
1-836566-6	48.00 [1219.2]	.38 [9.7]	△ OBSOLETE
1-836566-7	50.00 [1270.0]	.38 [9.7]	△ OBSOLETE
1-836566-8	3.00 [76.2]	.38 [9.7]	△ OBSOLETE
1-836566-9	25.00 [635.0]	.38 [9.7]	△
2-836566-0	11.00 [279.4]	.38 [9.7]	△ OBSOLETE
2-836566-1	4.00 [101.6]	.38 [9.7]	△ OBSOLETE
2-836566-2	16.00 [406.4]	.38 [9.7]	△ OBSOLETE
2-836566-3	36.00 [914.4]	.38 [9.7]	△ OBSOLETE
2-836566-4	40.00 [1016.0]	.38 [9.7]	△
2-836566-5	80.00 [2032.0]	.38 [9.7]	△ OBSOLETE
2-836566-6	78.75 [2000.2]	.38 [9.7]	△ OBSOLETE
2-836566-7	39.38 [1000.3]	.38 [9.7]	△ OBSOLETE
2-836566-8	98.50 [2501.9]	.38 [9.7]	△ OBSOLETE
2-836566-9	5.00 [127.0]	.38 [9.7]	△ OBSOLETE
3-836566-0	15.75 [400.0]	-	△ OBSOLETE
3-836566-1	30.00 [762.0]	.25 [6.3]	△
3-836566-2	600.00 [15240.0]	.38 [9.7]	△ OBSOLETE
3-836566-3	180.00 [4572.0]	-	△ OBSOLETE
3-836566-4	200.00 [5080.0]	.38 [9.7]	△ OBSOLETE
3-836566-5	118.00 [2997.2]	.38 [9.7]	△ OBSOLETE
3-836566-6	26.00 [660.4]	.38 [9.7]	△ OBSOLETE
3-836566-7	41.00 [1041.4]	.38 [9.7]	△
3-836566-8	59.12 [1501.6]	-	△ OBSOLETE
6-836566-9	25.00 [635.0]	.38 [9.7]	△
8-836566-7	41.00 [1041.4]	.38 [9.7]	△

- △1 .450 MAX DIMENSION HELD OVER THE .930 MAX AREA ONLY.
- 2. MARKED PER MIL-STD-130.
- 3. DIMENSIONS IN BRACKETS ARE IN MILLIMETERS. METRIC EQUIVALENTS ARE BASED UPON 1.00 INCH = 25.4 mm.
- 4. LEADS WILL MATE WITH AMP LGH-4 RECEPTACLES.
- △5 TOLERANCE OF LEAD LENGTH:
UP TO 24 INCHES [609.6] = ±.12 [±3.0]
24 INCHES [609.6] & UP = 1%
- 6. OPERATING VOLTAGE: 50 KVDC AT 0 TO 70,000 FEET, -55°C TO 125°C.
- △7 WHERE APPLICABLE "B" LENGTH IS SOLDER DIPPED.
- △8 INSULATION CUT, BUT NOT REMOVED.



THIS DRAWING IS A CONTROLLED DOCUMENT.		DWN	26-SEP-89	 Tyco Electronics Corporation Harrisburg, Pa 17105-3608	
DIMENSIONS:		CHK	26-SEP-89		
INCHES [mm]		APVD	26-SEP-89		
TOLERANCES UNLESS OTHERWISE SPECIFIED:		PRODUCT SPEC			
0 PLC	± -	APPLICATION SPEC		NAME	LEAD ASSY
1 PLC	± -			SIZE	A2
2 PLC	± -			CAGE CODE	00779
3 PLC	± -			DRAWING NO	C=836566
4 PLC	± -			RESTRICTED TO	-
ANGLES	± -	WEIGHT	-	SCALE	2:1
FINISH	-	CUSTOMER DRAWING		SHEET	1 OF 1
SEE CALLOUTS				REV	P