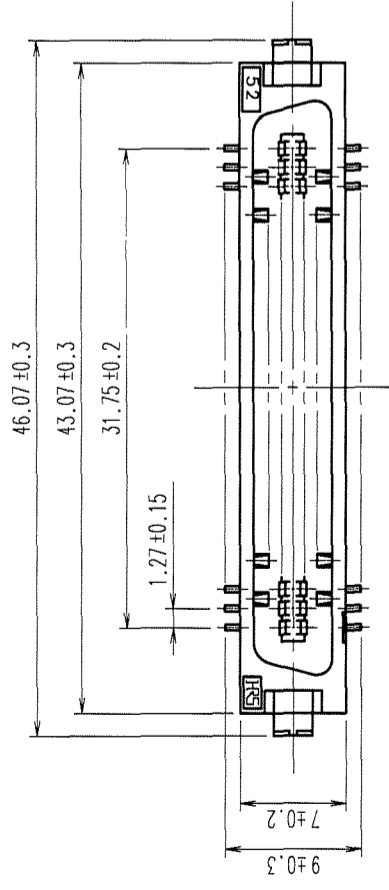
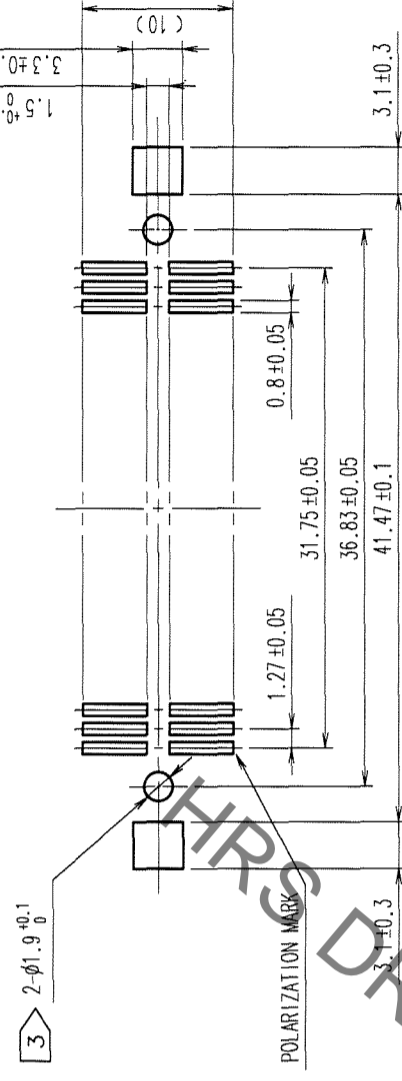


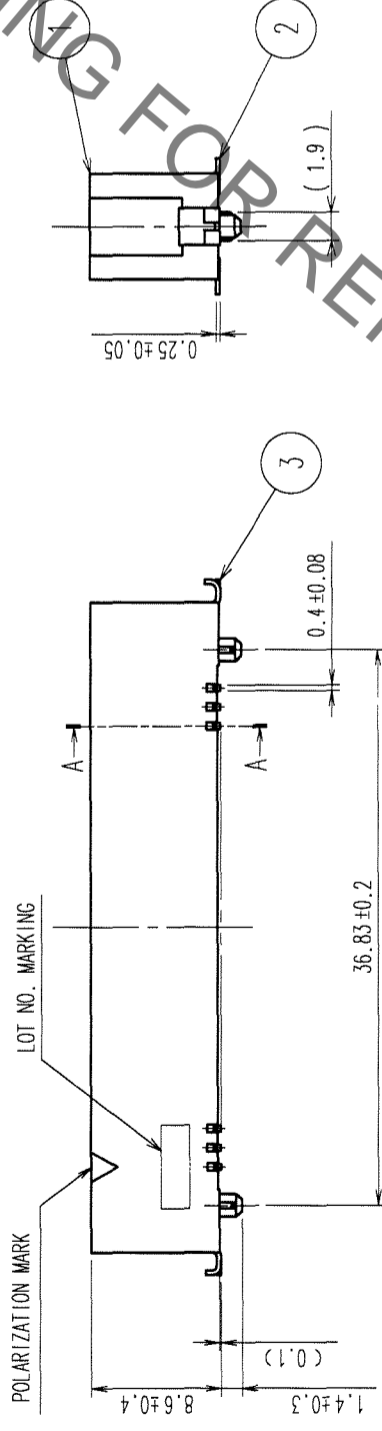
COUNT	DESCRIPTION OF REVISIONS	BY	CHKD	DATE	COUNT	DESCRIPTION OF REVISIONS	BY	CHKD	DATE
△					△				
△					△				



RECOMMENDED LAND PATTERN DIMENSION OF PCB (MOUNTING SIDE)



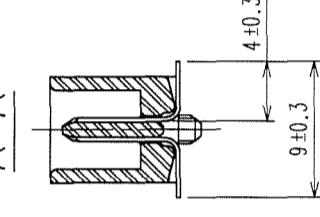
POLARIZATION MARK



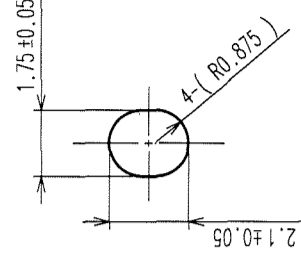
POLARIZATION MARK

LOT NO. MARKING

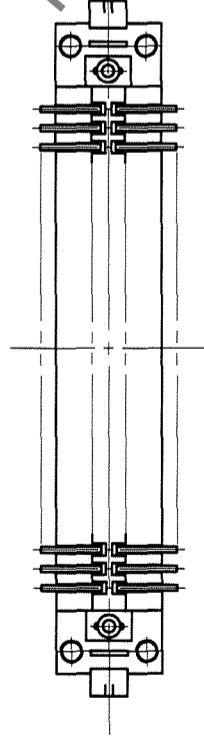
A-A



3 > FIG.1 (5:1)



- NOTES
- 1 LEAD CO-PLANARITY SHALL BE 0.15 MAX.
 - 2 THE DIMENSIONS IN PARENTHESES ARE FOR REFERENCE.
 - 3 > IN CASE OF THE AUTOMATED MOUNTING, RECOMMENDED HOLE DIAMETER OF BOSS IS SHOWN IN FIG.1.



3	BRASS	TIN-PLATING	2	PHOSPHOR BRONZE	CONTACT AREA: GOLD 0.2μm min.
1	PPS	LIGHT BROWN (UL94V-0)			LEAD AREA: TIN-PLATING 2μm min.
NO.	MATERIAL	FINISH, REMARKS	NO.	MATERIAL	UNDER PLATING: NICKEL 2μm min.
CODE NO. (OLD)	CL		DESIGNED	APPROVED	RELEASED
			DRAWN	CHECKED	
			A. SUZUKAWA	K. Ogawa	H. Okawa
			06.02.08	06.02.13	06.02.13
DRAWING NO.	EDC3-082403-21		PART NO.	FX2-52P-1.27SVL(71)	
SCALE	2:1		CODE NO.	CL572-2054-5-71	
UNITS	mm				

TO	
PCK	