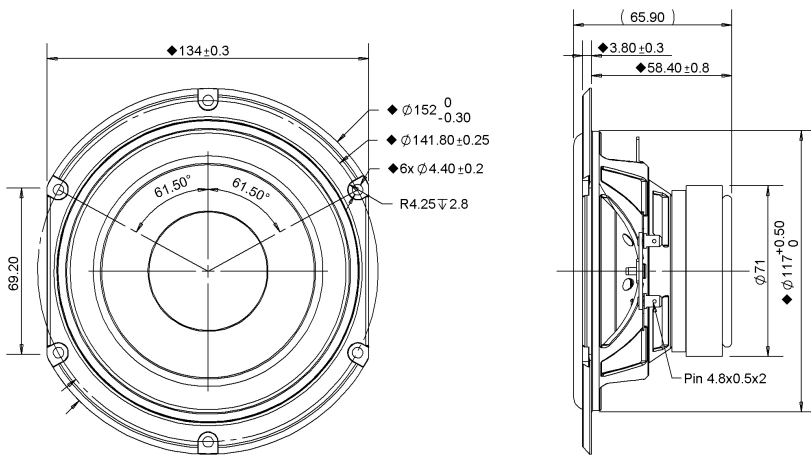


- Coated Paper Cone
- Ferrite Magnet
- Pressed Steel Basket
- Rubber Surround
- Optimized for Sealed Enclosures

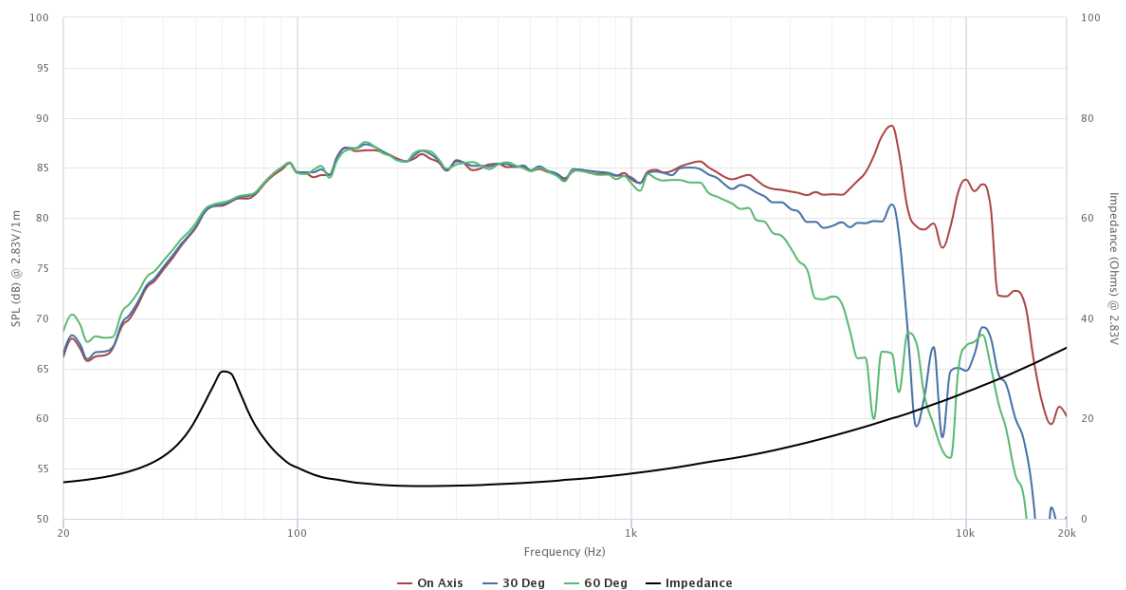


SPECIFICATIONS

Transducer Size	5.25	in	
Impedance	8	Ω	
Frequency Range ¹	50 - 5000	Hz	
Sensitivity ² (2.83V 1W @ 1m)	86.1 86.1	dB	
Power Rating (IEC 268-5)	60	W	
Voice Coil Size	25.8	mm	
Air Gap Winding Height	H _{ag} H _{vc}	6 12.9	mm
Net Weight	0.68	kg	

PARAMETERS ³

Eff. Piston Area	S _d	86.6	cm ²
DC Resistance	R _e	5.9	Ω
Minimum Impedance	Z _{min}	6.5	Ω
Inductance	L _e	0.493	mH
Resonance Frequency ⁴	F _s	65	Hz
Mechanical Q Factor	Q _{ms}	3.47	-
Electrical Q Factor	Q _{es}	0.76	-
Total Q Factor	Q _{ts}	0.62	-
Moving Mass	M _{ms}	9.67	g
Compliance	C _{ms}	620	μm/N
Equivalent Volume	V _{as}	6.58	L
Motor Force Factor	Bl	5.53	Tm
Motor Efficiency	β	5.2	(Bl) ² / R _e
Linear Excursion ⁵	X _{max}	5.46	mm
Max Mechanical Excursion ⁶	X _{mech}	-	mm



Details on this spec sheet are for reference only and should not be used for setting production limits. Specifications and product cosmetics are subject to change without notice. Peerless is a registered trademark of Tympany Enterprises. All measurements conducted in test lab at 25°C ±10°C, 50%RH ±10%. ¹ Specified by Engineering as linear working range of transducer. ² Measured at 2.83V at 1m and normalized to 1W with respect to nominal impedance. ³ Measured in Free Air without preconditioning, therefore subject to some deviation. ⁴ Impedance and F_s value measured under different conditions. ⁵ Equal/Overhung: (H_{vc} - H_{ag})/2 + H_{ag}/3. Underhung: (H_{ag} - H_{vc})/2 + H_{vc}/3. ⁶ Mechanically limited excursion (e.g. bottoming, spider crash).