

DESIGNED & DIMENSIONED
IN MILLIMETERS [INCHES]

HDBNC-J-P-XX-RA-BHX

DO NOT
SCALE FROM
THIS PRINT

ITEM	COMPONENT	-HF	-HN	-GF	-GN
1	SUB ASSEMBLY	SUB-HDBNC-J-P-XX-RA-BHX (SEE TABLE 2)			
2	NUT	HDBNC-NUT-001-N			

GENDER
-J: JACK

TYPE
-P: PCB

TERMINATION

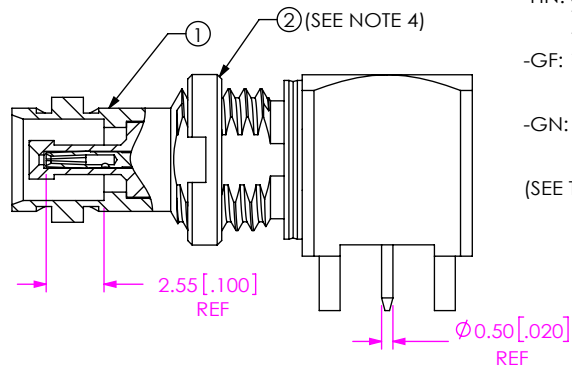
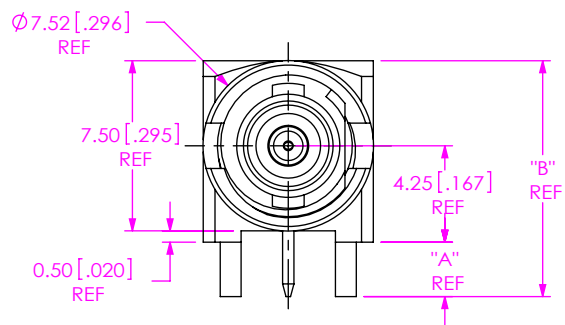
- BH1: BULKHEAD THROUGH HOLE .062 BOARD
- BH2: BULKHEAD THROUGH HOLE .093 BOARD
- BH3: BULKHEAD THROUGH HOLE, ROUND LEGS .062 BOARD

ORIENTATION

- RA: RIGHT ANGLE

PLATING SPECIFICATION

- HF: 30μ" GOLD CENTER CONTACT, 3μ" GOLD OUTER CONTACT, 100μ" NICKEL ON BODY
 - HN: 30μ" GOLD CENTER CONTACT, 100μ" NICKEL OUTER CONTACT, 100μ" NICKEL ON BODY
 - GF: 10μ" GOLD CENTER CONTACT, 3μ" GOLD OUTER CONTACT, 100μ" NICKEL ON BODY
 - GN: 10μ" GOLD CENTER CONTACT, 100μ" NICKEL OUTER CONTACT, 100μ" NICKEL ON BODY
- (SEE TABLE 1)



RECOMMENDED PCB LAYOUT

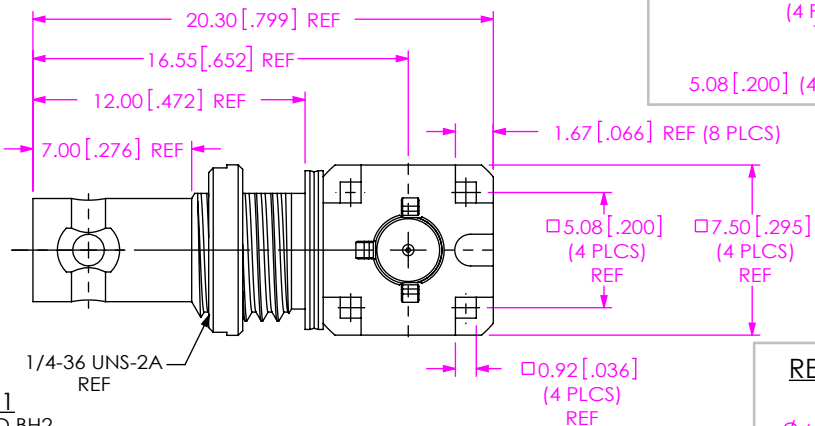
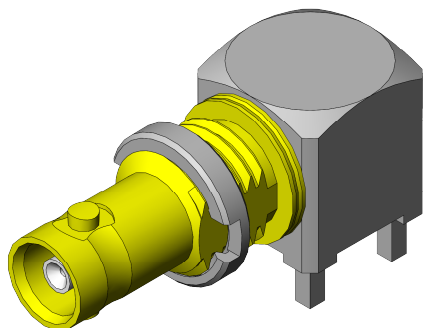
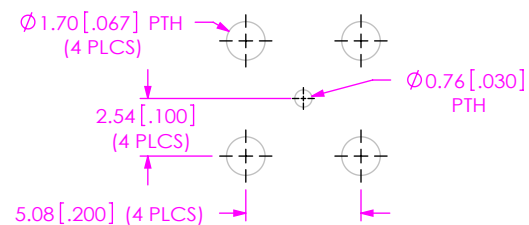


FIG 1
-BH1 AND BH2
HDBNC-J-P-XX-RA-BH1 SHOWN

RECOMMENDED MOUNTING HOLE
2.95 [.116] MAX PANEL THICKNESS

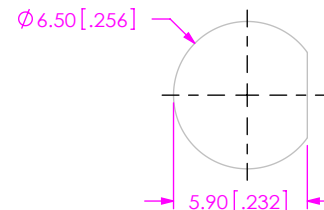


TABLE 2

	-HF	-HN	-GF	-GN	"A"	"B"
-BH1	SUB-HDBNC-J-P-HF-RA-BH1	SUB-HDBNC-J-P-HN-RA-BH1	SUB-HDBNC-J-P-GF-RA-BH1	SUB-HDBNC-J-P-GN-RA-BH1	2.40	10.40
-BH2	SUB-HDBNC-J-P-HF-RA-BH2	SUB-HDBNC-J-P-HN-RA-BH2	SUB-HDBNC-J-P-GF-RA-BH2	SUB-HDBNC-J-P-GN-RA-BH2	3.70	11.70
-BH3	SUB-HDBNC-J-P-HF-RA-BH3	SUB-HDBNC-J-P-HN-RA-BH3	SUB-HDBNC-J-P-GF-RA-BH3	SUB-HDBNC-J-P-GN-RA-BH3	2.40	10.40

UNLESS OTHERWISE SPECIFIED,
DIMENSIONS ARE IN MILLIMETERS.

TOLERANCES ARE:

- DECIMALS
- ANGLES
- X.X: ±0.3 [.01] 5°
- X.XX: ±0.13 [.005]
- X.XXX: ±0.051 [.0020]

PROPRIETARY NOTE

THIS DOCUMENT CONTAINS CONFIDENTIAL AND PROPRIETARY INFORMATION AND ALL DESIGN, MANUFACTURING, REPRODUCTION, USE, PATENT RIGHTS AND SALES RIGHTS ARE EXPRESSLY RESERVED BY SAMTEC, INC. THIS DOCUMENT SHALL NOT BE DISCLOSED, IN WHOLE OR PART, TO ANY UNAUTHORIZED PERSON OR ENTITY NOR REPRODUCED, TRANSFERRED OR INCORPORATED IN ANY OTHER PROJECT IN ANY MANNER WITHOUT THE EXPRESS WRITTEN CONSENT OF SAMTEC, INC.

MATERIAL: DO NOT SCALE DRAWING SHEET SCALE: 3:1

SOCKET: BeCu
SHELL, BODY, NUT: BRASS
INSULATOR: PTFE



520 PARK EAST BLVD. NEW ALBANY, IN 47150
PHONE: 812-944-6733 FAX: 812-948-5047
e-Mail info@SAMTEC.com code 55322

DESCRIPTION:
HD BNC 75 OHM, RA JACK BULKHEAD
DWG. NO.
HDBNC-J-P-XX-RA-BHX

BY: ALVIN W 02/17/2011 SHEET 1 OF 2

NOTES:

- ⊕ REPRESENTS A CRITICAL DIMENSION.
- NOTE DELETED.
- PRODUCT TO BE PACKAGED PER PACKING STANDARD CO-HD-WI-3040-M. TRAY: TY-SMA-001-1 COVER: TY-SMA-001-2
- NUT TO BE PACKAGED SEPARATELY.

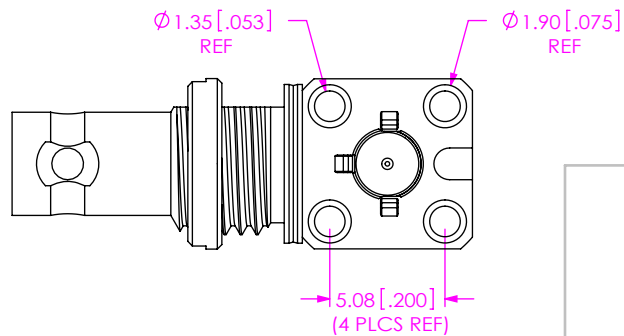
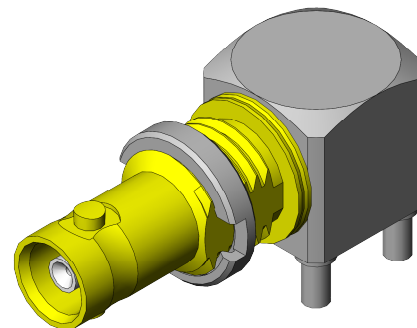
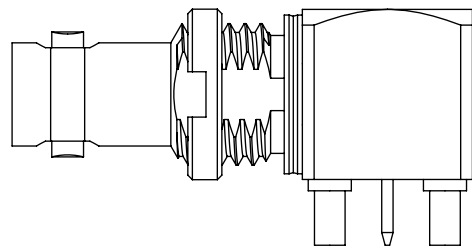
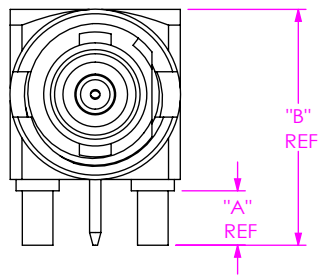
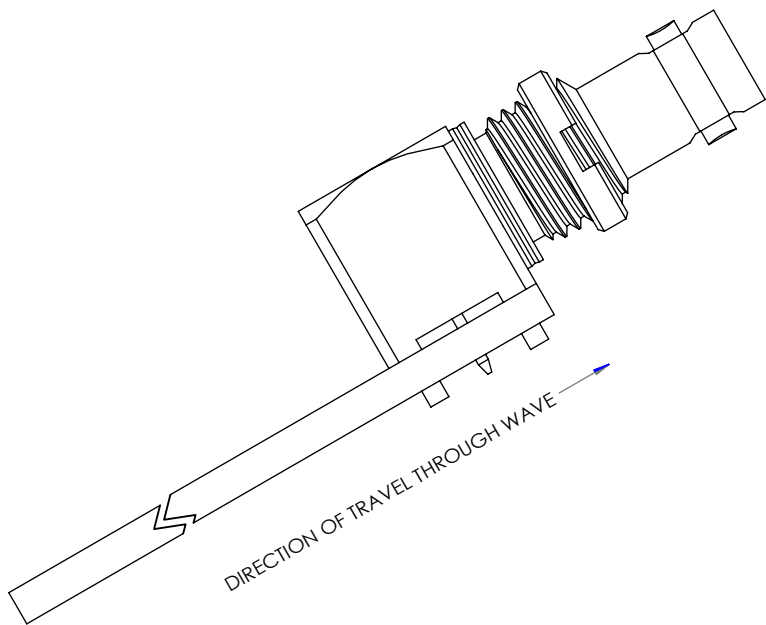
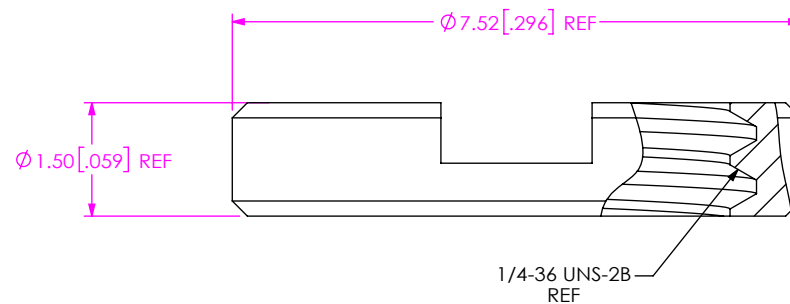


FIG 2
HDBNC-J-P-XX-RA-BH3 SHOWN
SAME AS FIG 1, EXCEPT AS SHOWN



RECOMMENDED PROCESSING ORIENTATION



NUT SPECIFICATION

PROPRIETARY NOTE
THIS DOCUMENT CONTAINS CONFIDENTIAL AND PROPRIETARY INFORMATION AND ALL DESIGN, MANUFACTURING, REPRODUCTION, USE, PATENT RIGHTS AND SALES RIGHTS ARE EXPRESSLY RESERVED BY SAMTEC, INC. THIS DOCUMENT SHALL NOT BE DISCLOSED, IN WHOLE OR PART, TO ANY UNAUTHORIZED PERSON OR ENTITY NOR REPRODUCED, TRANSFERRED OR INCORPORATED IN ANY OTHER PROJECT IN ANY MANNER WITHOUT THE EXPRESS WRITTEN CONSENT OF SAMTEC, INC.

DO NOT SCALE DRAWING

SHEET SCALE: 3:1



520 PARK EAST BLVD, NEW ALBANY, IN 47150
PHONE: 812-944-6733 FAX: 812-948-5047
e-Mail info@SAMTEC.com code 55322

DESCRIPTION:
HD BNC 75 OHM, RA JACK BULKHEAD

DWG. NO.
HDBNC-J-P-XX-RA-BHX

BY: ALVIN W 02/17/2011 SHEET 2 OF 2