

# **QT-Brightek PLCC Series**

## **5050 PLCC6 IR LED**

**Part No.: QBLP679-IR3**

**IR3: 850nm**

---

**Table of Contents:**

Introduction .....	3
Electrical / Optical Characteristic (Ta=25 °C) .....	4
Absolute Maximum Rating .....	4
Characteristic Curves.....	5
Solder Profile & Footprint.....	6
Packing .....	7
Labeling .....	8
Ordering Information .....	8
Revision History .....	9
Disclaimer .....	9

## Introduction

### Feature:

- Water clear lens
- Package in tape and reel
- AlGaAs technology
- Viewing Angle = 120 deg

### Description:

These ultra bright reflector type 5050 type PLCC6 LEDs have a height profile of 1.60mm. Combination of high brightness output and robust package, these LEDs are ideal for architecture lighting, status indication, and industrial equipment lighting applications.

### Application:

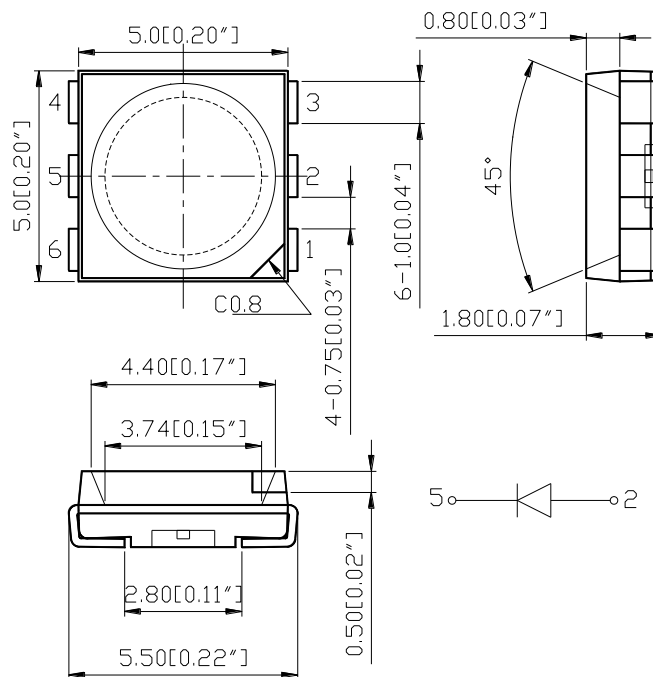
- Infrared Sensor
- Optoelectronic Switch
- Smoke detector
- Drive sensor

### Certification & Compliance:

- TS16949
- ISO9001
- RoHS Compliant



### Dimension:



Units: mm / tolerance = +/-0.2mm

**Electrical / Optical Characteristic (Ta=25 °C)**

Product	Color	I <sub>F</sub> (mA)	V <sub>F</sub> (V)		λ <sub>P</sub> (nm)			I <sub>e</sub> (mW/sr)		
			Typ.	Max.	Min.	Typ.	Max.	Min.	Typ.	Max.
QBLP679-IR3	Infrared	20	1.4	1.8	835	850	860	0.6	1.4	2.1

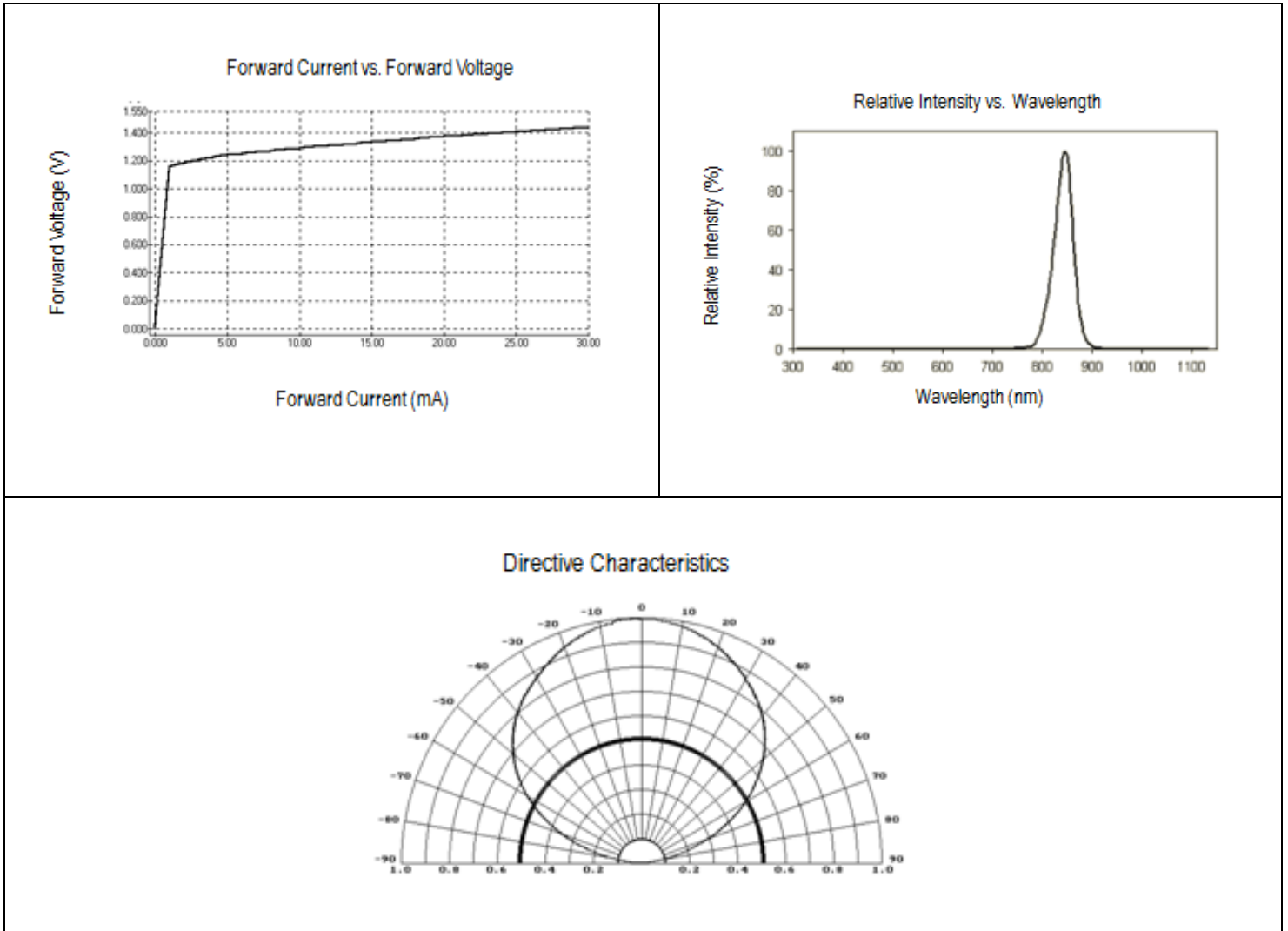
**Absolute Maximum Rating**

Material	P <sub>d</sub> (mW)	I <sub>F</sub> (mA)	I <sub>FP</sub> (A)*	V <sub>R</sub> (V)	T <sub>OP</sub> (°C)	T <sub>ST</sub> (°C)	T <sub>SOL</sub> (°C)**
AlGaAs	90	50	1	5	-40 ~ +80	-40 ~ +85	260

\*Duty cycle=1%, Pulse width 100us

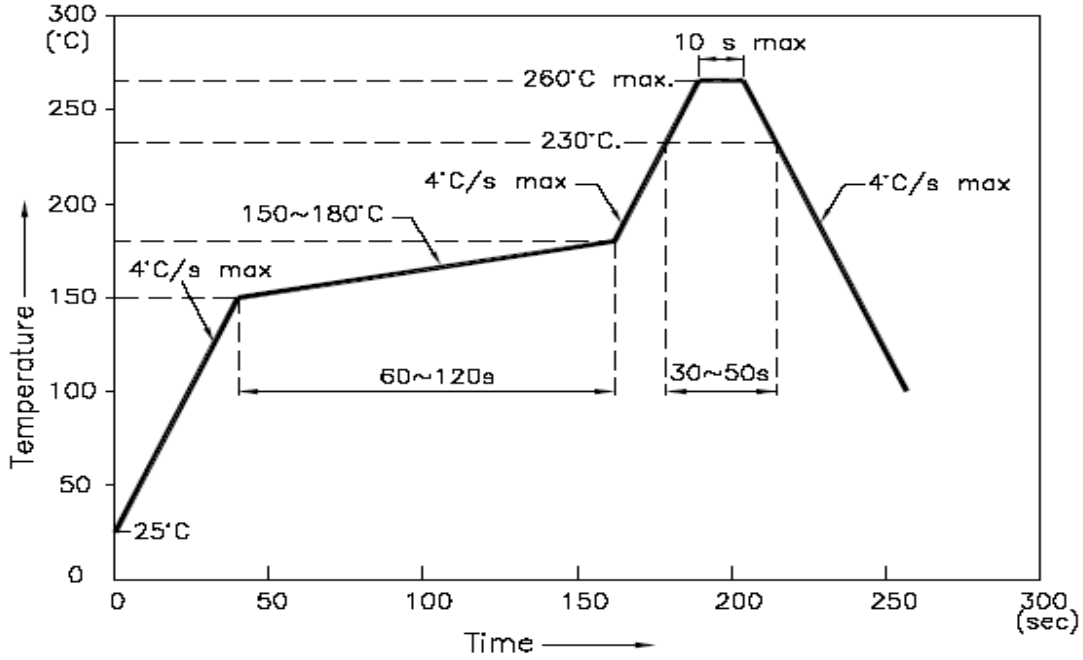
\*\*IR Reflow for no more than 10 sec @ 260 °C

## Characteristic Curves

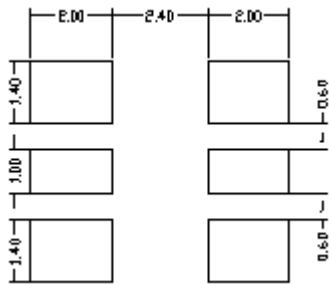


## Solder Profile & Footprint

-The recommended reflow soldering profile is as follows (temperatures indicated are as measured on the surface of the LED resin):



### Recommended Pad Layout

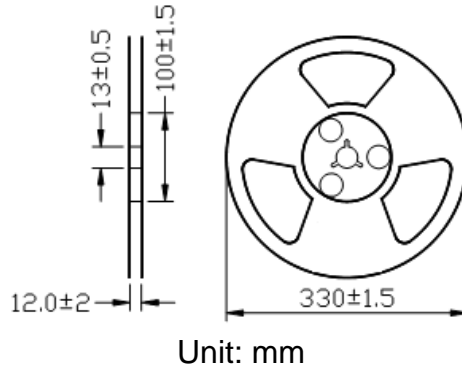


Units: mm

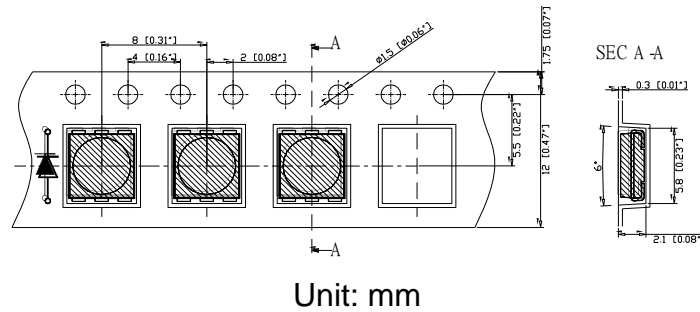
Tolerance: ± 0.2mm

## Packing

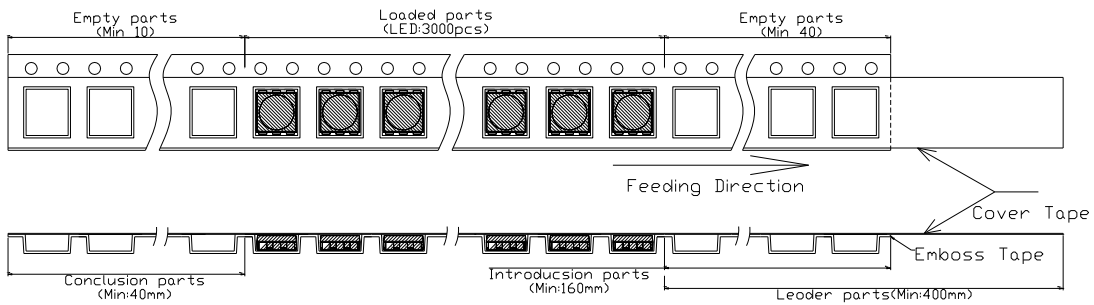
### Reel Dimension:



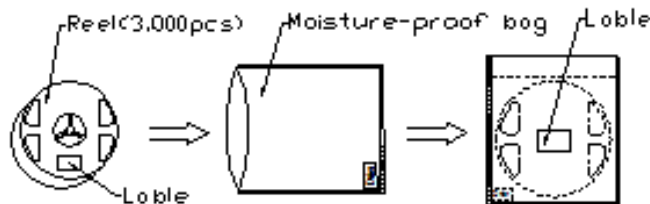
### Tape Dimension:



### Arrangement of Tape:



### Packaging Specification:



Product: QBLP679-IR3	Date: June 11, 2021	Page 7 of 9
	Version# 1.2	

## Labeling



Part No: \_\_\_\_\_  
Customer P/N: \_\_\_\_\_  
Item: \_\_\_\_\_  
Q'ty: \_\_\_\_\_  
Vf: \_\_\_\_\_  
Iv: \_\_\_\_\_  
WI: \_\_\_\_\_  
Date: \_\_\_\_\_

**Made in China**

## Ordering Information

Part #	Orderable Part #	Spec Range	Quantity per reel
QBLP679-IR3	QBLP679-IR3	I <sub>e</sub> =1.4mW/sr typ. @ I <sub>F</sub> =20mA / λ <sub>P</sub> =850nm typ.	3,000 units



---

## Revision History

Description:	Revision #	Revision Date
New Release of QBLP679-IR3	V1.0	05/04/2015
Pin polarity correction	V1.1	08/16/2017
Update wavelength Min. value to 835nm / update logo	V1.2	06/11/2021

## Disclaimer

QT-BRIGHTTEK reserves the right to make changes without further notice to any products herein to improve reliability, function or design. QT-BRIGHTTEK does not assume any liability arising out of the application or use of any product or circuit described herein; neither does it convey any license under its patent rights, nor the rights of others.

## Life Support Policy

QT-BRIGHTTEK's products are not authorized for use as critical components in life support devices or systems without the express written approval of QT-BRIGHTTEK. As used herein:

1. Life support devices or systems are devices or systems which, (a) are intended for surgical implant into the body, or (b) support or sustain life, and (c) whose failure to perform when properly used in accordance with instructions for use provided in the labeling, can be reasonably expected to result in a significant injury of the user.
2. A critical component in any component of a life support device or system whose failure to perform can be reasonably expected to cause the failure of the life support device or system, or to affect its safety or effectiveness.

Product: QBLP679-IR3	Date: June 11, 2021	Page 9 of 9
	Version# 1.2	