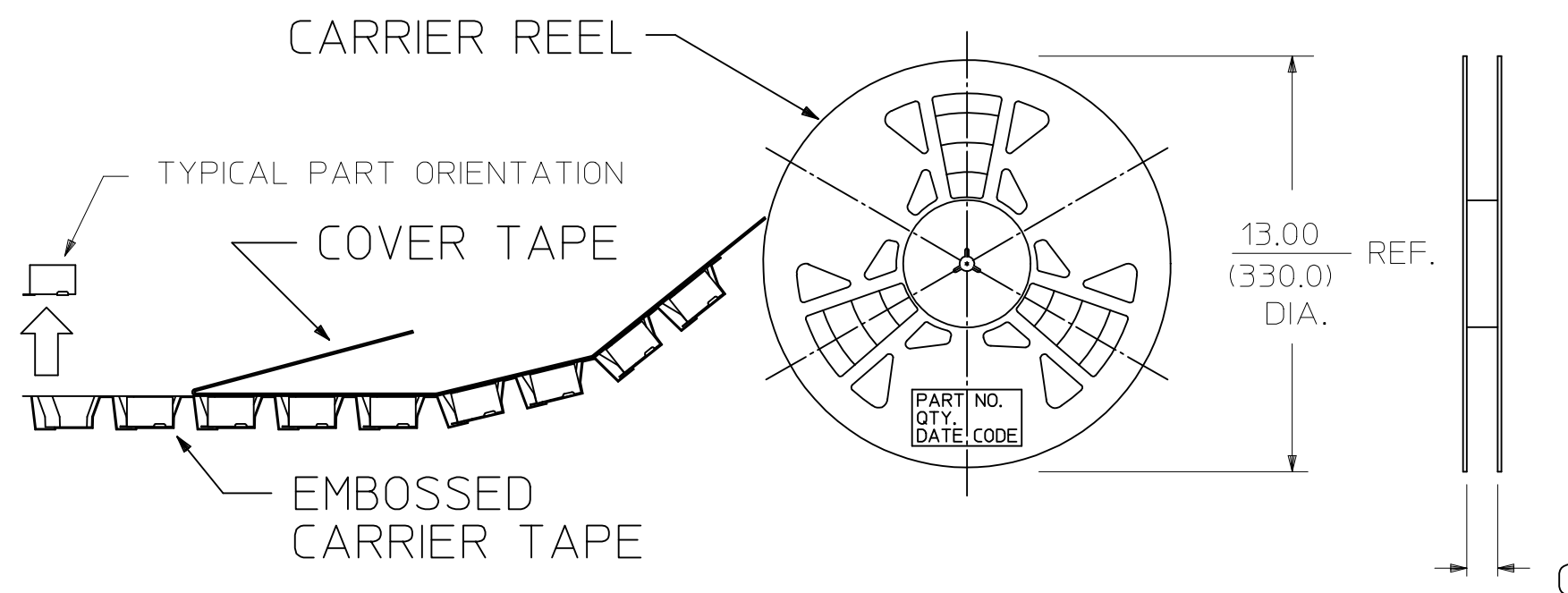


TAPE AND REEL SPECIFICATIONS FOR RIGHT ANGLE MODULAR JACKS

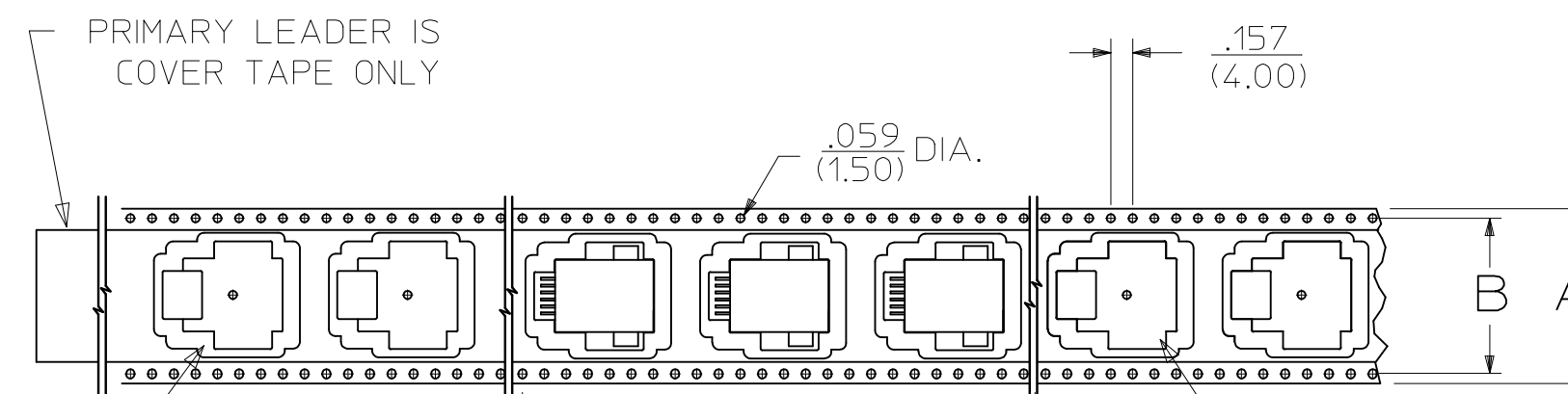
PACKAGING ITEM NO.	ASSEMBLY ITEM NO.	PORTS	EMBOSSED TAPE ITEM NO.	PARTS PER REEL	CARTON PART #	REELS/CARTON	COVER TAPE ITEM NO.	TAKE-UP HALF REEL ITEM NO.	TAKE-UP HALF REEL ITEM NO.	DIM A	DIM B	DIM C
70873-7001	43743-*/44144-* (6 SIZE)	1 PORT	45552-0001	150	70180-0371	10	43655-0001	70180-6501	70180-6501	1.260/(32.00)	1.118/(28.40)	1.276/(32.40)
13 70873-7002	43743-*/44144-* (8 SIZE)	1 PORT	45552-0002	150	70180-0371	7	43655-0002	70180-6501	70180-6502	1.732/(44.00)	1.591/(40.40)	1.748/(44.40)
70873-7003	43841-*/44193-* (6 SIZE)	2 PORT	70180-4013	150	70180-0371	6	43655-0003	70180-6502	70180-6502	2.205/(56.00)	1.984/(50.40)	2.220/(56.40)
70873-7004	43841-*/44193-* (8 SIZE)	2 PORT	70180-4014	150	70180-0371	6	43655-0003	70180-6502	70180-6502	2.205/(56.00)	1.984/(50.40)	2.220/(56.40)
70873-7005	44418 (8 SIZE) (SUB-ASS'Y)	1 PORT	70180-4015	120	70180-0371	7	43655-0002	70180-6501	70180-6502	1.732/(44.00)	1.591/(40.40)	1.748/(44.40)
13 70873-7006	44282 (8 SIZE)	1 PORT	12	120	70180-0371	7	43655-0002	70180-6501	70180-6502	1.732/(44.00)	1.591/(40.40)	1.748/(44.40)
70873-7007	44380 (8 SIZE)	1 PORT	SEE SHEET 2									
70873-7009	43860 (8 SIZE)	1 PORT	SEE SHEET 2									

NOTES:

- 1) EACH REEL MUST BE LOADED WITH A QUANTITY OF CONNECTORS AS SPECIFIED IN CHART. (SEE NOTE 3).
- 2) THE FOLLOWING NOTES HAVE BEEN DERIVED FROM THE E.I.A. STANDARDS 481.
- 3) CONNECTOR MINIMUMS/REEL ARE SHOWN ABOVE; IN NO CASE SHALL THERE BE TWO CONSECUTIVE COMPONENTS MISSING BETWEEN THE FIRST AND LAST PART OF ANY REEL.
- 4) THE TOP COVER TAPE SHALL NOT EXTEND OVER THE EDGES OF THE CARRIER TAPE OR COVER ANY PART OF THE SPROCKET HOLES.
- 5) ADJACENT LAYERS OF TAPE SHALL NOT STICK TOGETHER WHEN WOUND ON THE CARRIER REEL.
- 6) THE TOP COVER TAPE MUST BE SECURELY ATTACHED TO THE EMBOSSED CARRIER TAPE BY USE OF HEAT.
- 7) EACH REEL SHALL HAVE A LABEL AFFIXED TO IT WITH THE FOLLOWING INFORMATION: PART NO. (CUSTOMER ORDER NO.), QUANTITY, AND DATE CODE.
- 8) TAPE SPLICES ARE NOT PERMITTED.
- 9) PACKAGING MATERIALS: EMBOSSED CARRIER TAPE IS POLYSTYRENE (PS); TOP COVER TAPE IS A COMPOSITE OF POLYETHYLENE TEREPHTHALATE (PET), POLYETHYLENE (PE), AND POLYFILM (PEF); CARRIER REEL IS HIGH IMPACT POLYSTYRENE (HIPS).
- 10) THE TOP COVER TAPE SHALL HAVE A TOTAL PEEL STRENGTH OF 0.1-0.7 NEWTONS WHEN PULLED OPPOSITE THE DIRECTION OF CARRIER TAPE TRAVEL. THE CARRIER AND/OR COVER TAPE SHALL BE PULLED WITH A VELOCITY OF 120±mm PER MINUTE.
- 11) ALL DIMENSIONS ARE SHOWN FOR REFERENCE ONLY.
- 12) 44282 SHIELDED ASSEMBLIES TO BE REPACKAGED IN 70180-4015 EMBOSSED COVER TAPE USED FOR 44418 SUB-ASSEMBLIES.
- 13) FOR 43743, 44144, 44282 8 CIRCUIT SIZES PLACE (1) 85-04-1028 FOAM FILLER AND (1) 85-04-0214 CARBOARD FILLER ON THE BOTTOM OF THE BOX.

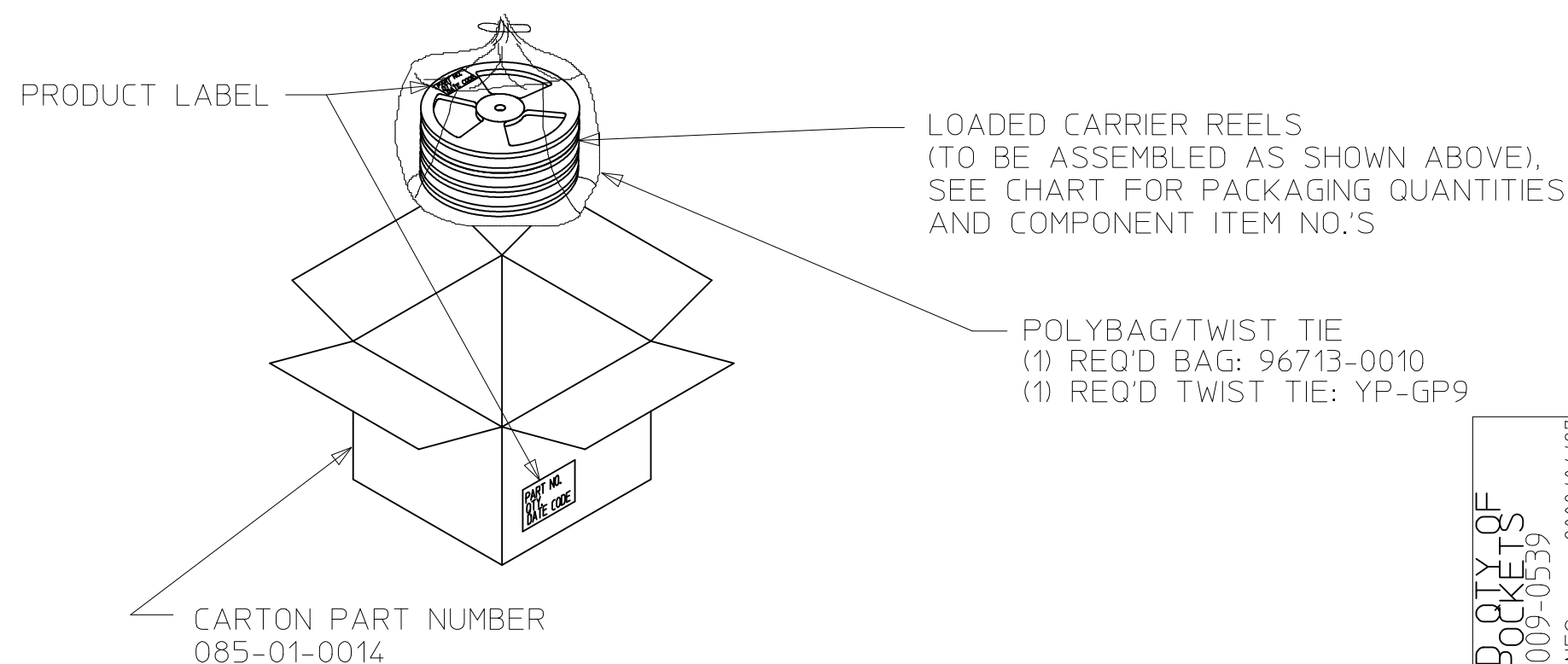


PULL OUT DIRECTION FROM REEL



(5) EMPTY POCKETS AT START OF REEL

(15) EMPTY POCKETS AT END OF REEL



2	L5
1	M
SHT	REV

CHANGED QTY OF EMPTY POCKETS EC NO: E2009-0539 DRWN: DBYRNES 2009/04/27 CHKD: 2009/04/28 APPR: J WALLACE 2009/04/28 M REV DESCRIPTION	QUALITY SYMBOLS	GENERAL TOLERANCES (UNLESS SPECIFIED)	DIMENSION STYLE IN/MM	SCALE 1:1	DESIGN UNITS INCH	THIRD ANGLE PROJECTION
	▼=2 ◻=1	mm INCH 4 PLACES ± --- ± --- 3 PLACES ± --- ± --- 2 PLACES ± --- ± --- 1 PLACE ± --- ± --- ANGULAR ±1/2°	DRAWN BY DATE PEARSON 1996/03/07 CHECKED BY DATE PATEL 1996/03/07 APPROVED BY DATE LENZ 1996/03/07	TITLE	SMT. MODJACK TAPE AND REEL SPECIFICATIONS	
	DRAFT WHERE APPLICABLE MUST REMAIN WITHIN DIMENSIONS	SEE CHART	MATERIAL NO.	DOCUMENT NO.	MOLEX INCORPORATED	
			SIZE C	THIS DRAWING CONTAINS INFORMATION THAT IS PROPRIETARY TO MOLEX INCORPORATED AND SHOULD NOT BE USED WITHOUT WRITTEN PERMISSION		SHEET NO. 1 OF 2