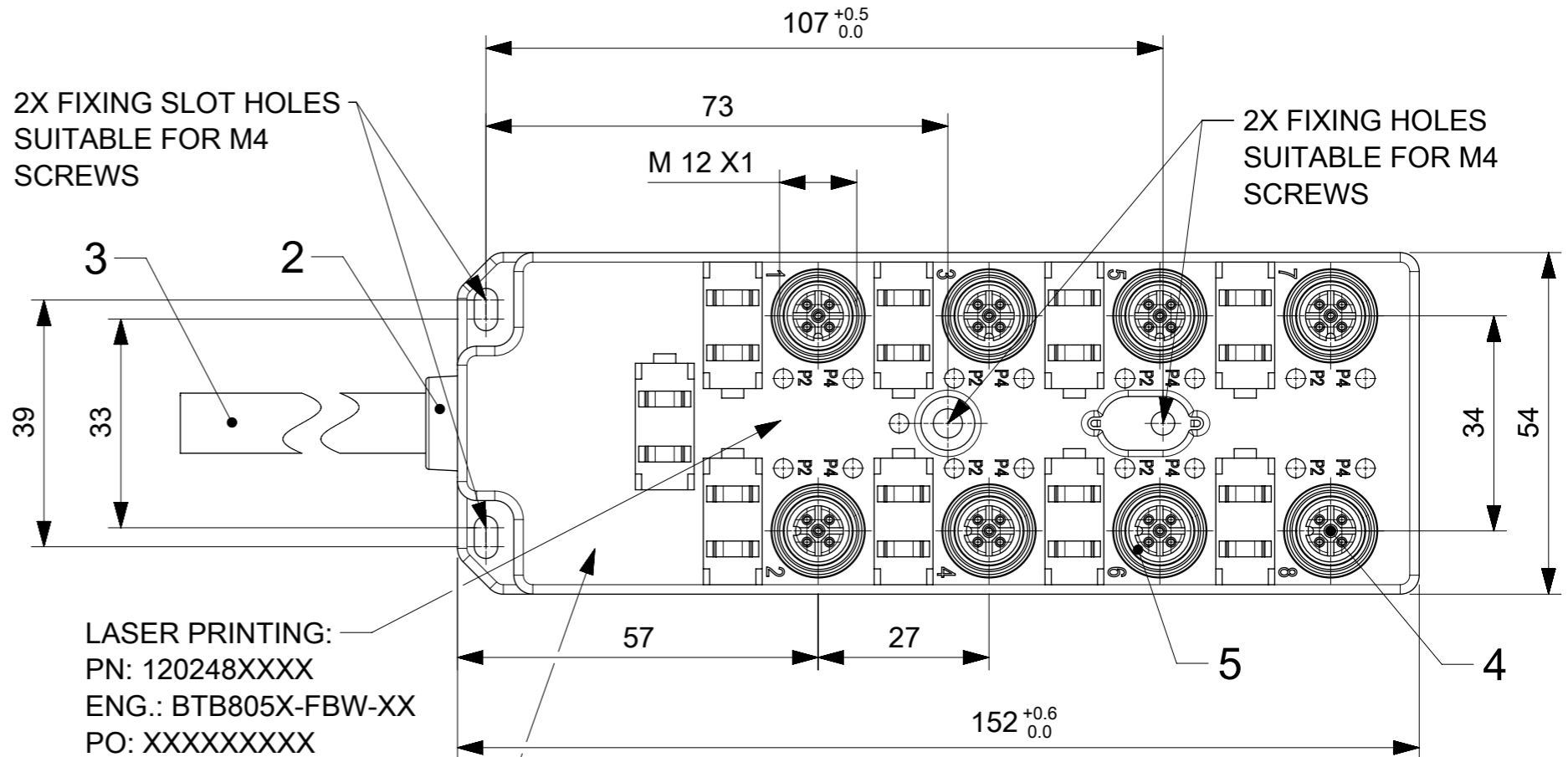


TABLE 1

MOLEX P/N	ENG. NO.	CABLE LENGTH (mm)	LED
1202480108	BTB8050-FBW-02	2000	NO
1202480046	BTB8050-FBW-05	5000	NO
1202480047	BTB8050-FBW-10	10000	NO
1202480048	BTB8050-FBW-15	15000	NO
1202480049	BTB805P-FBW-05	5000	YES
1202480050	BTB805P-FBW-10	10000	YES
1202480051	BTB805P-FBW-15	15000	YES
1202480052	BTB805N-FBW-05	5000	YES
1202480053	BTB805N-FBW-10	10000	YES
1202480054	BTB805N-FBW-15	15000	YES

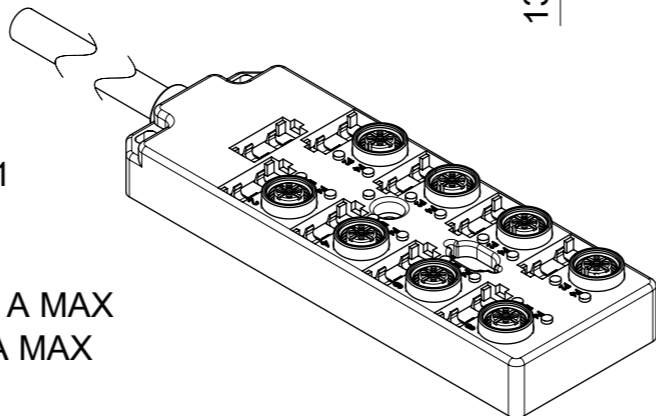
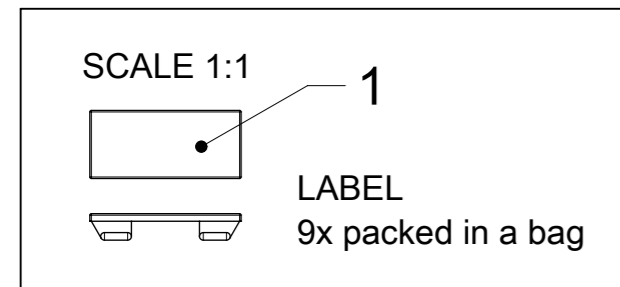
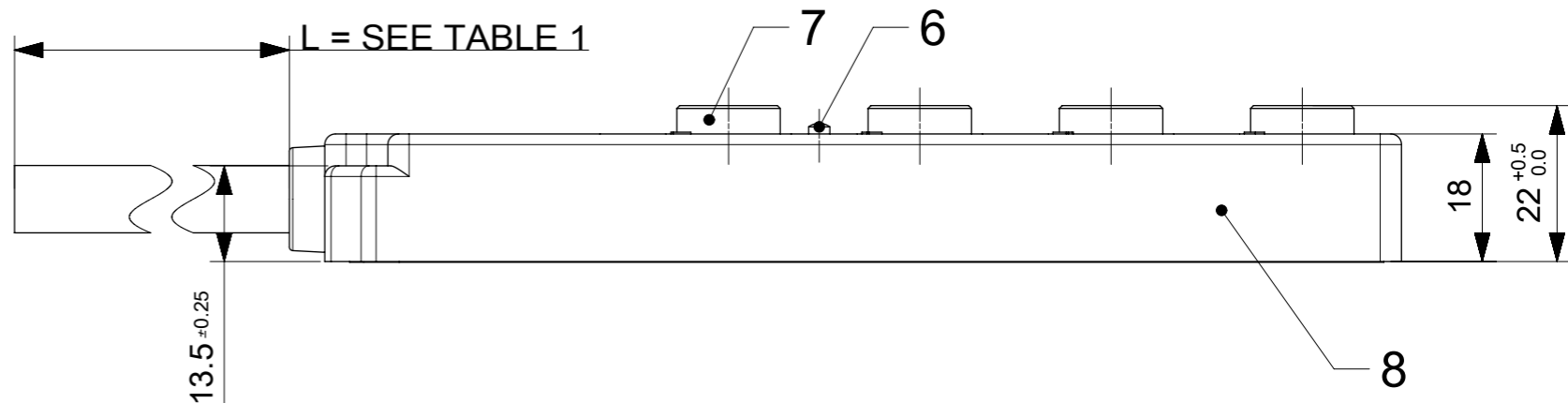
TABLE 2 BILL OF MATERIAL

ITEM	DESCRIPTION	MATERIAL	FINISH
1	LABEL	ABS	WHITE
2	CABLE PLATE	PBT	BLACK
3	CABLE	TPU BASED	BLACK
4	CONTACT	BRONZE	GOLD OVER NICKEL
5	O-RING	FPM	RED
6	LED	NON LED = PA	BLACK
		WITH LED = PA	TRANSPARENT
7	SHELL	BRASS	NICKEL PLATED
8	HOUSING	PBT	BLACK



LASER PRINTING:
 PN: 120248XXXX
 ENG.: BTB805X-FBW-XX
 PO: XXXXXXXXXX

LASER PRINTING:
 BRAD LOGO



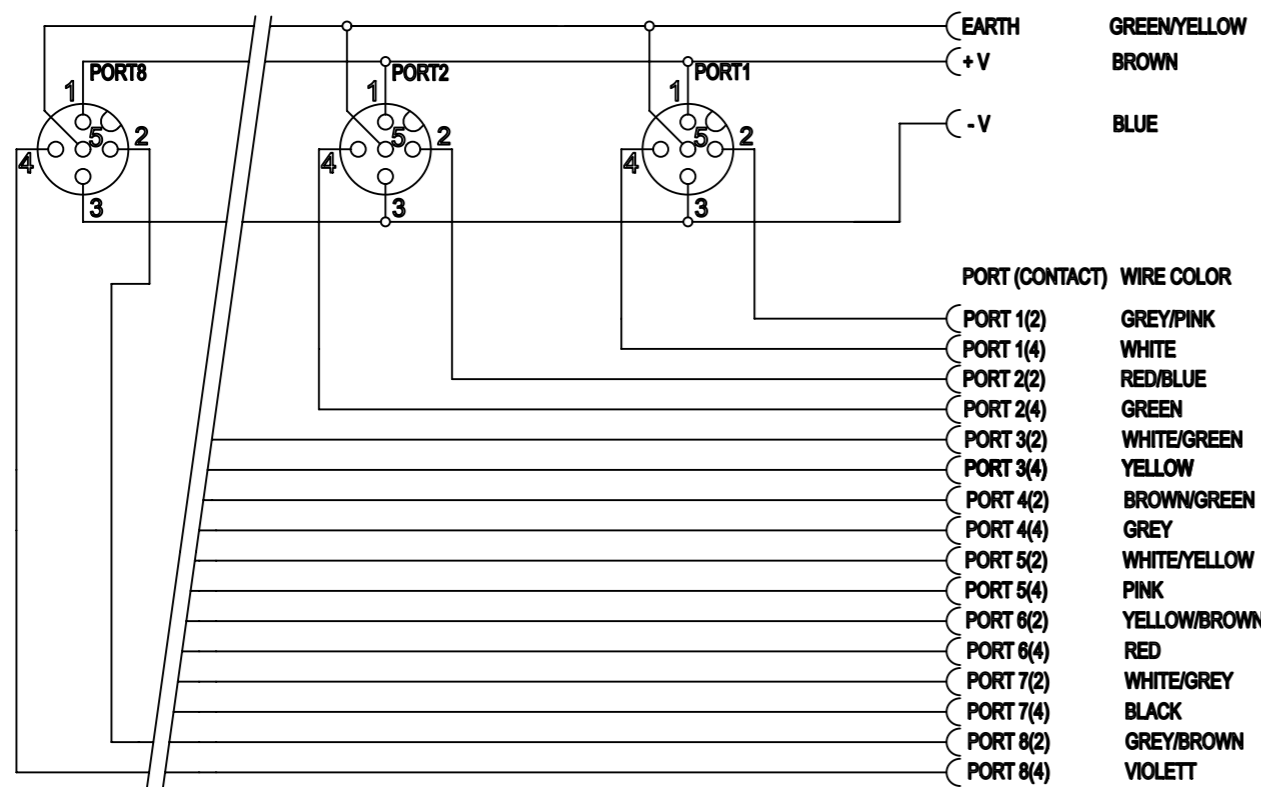
GENERAL CHARACTERISTICS:

ELECTRICAL AND MECHANICAL DATA ACC. TO IEC 61076-2-101

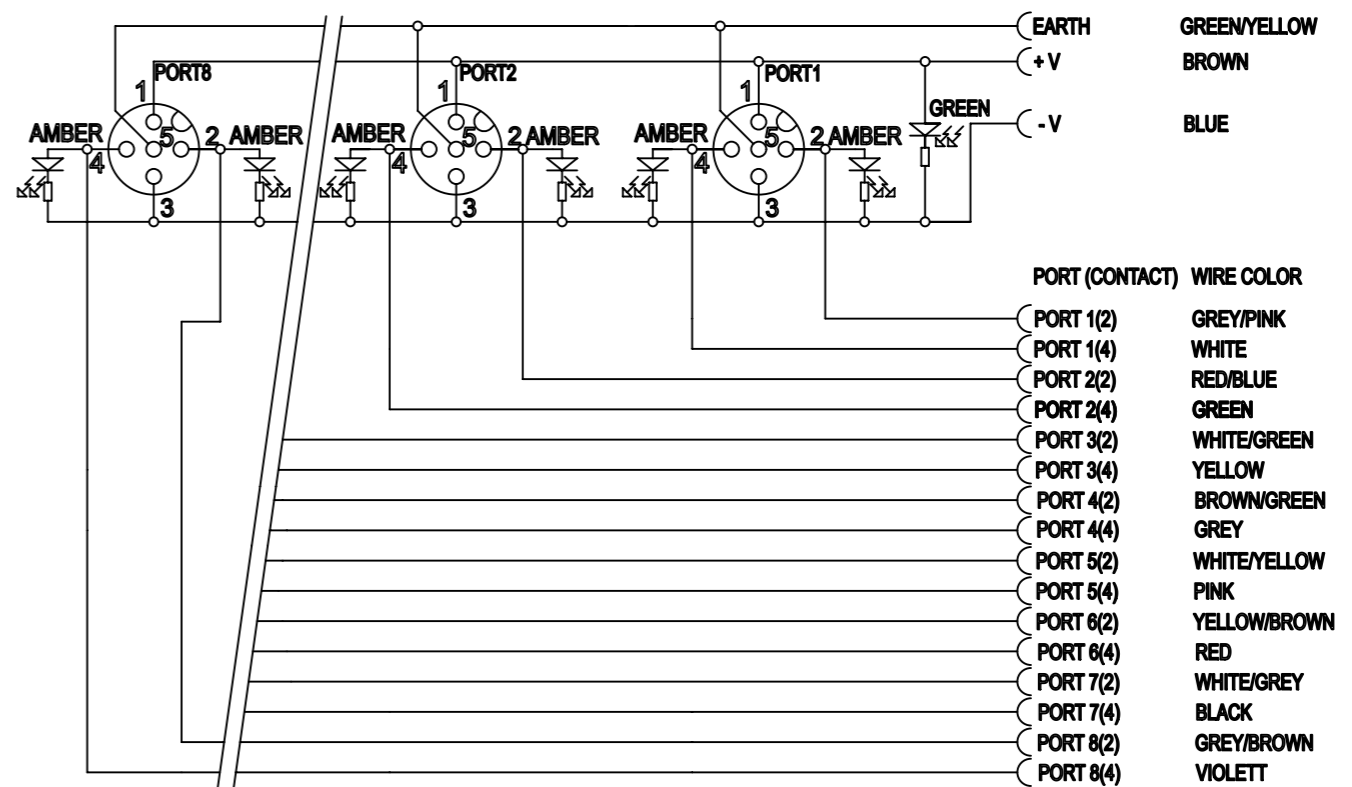
NOMINAL VOLTAGE: 10-30 V DC
 AMPERE RATING: 4 A PER PORT / 12 A MAX
 AMPERE RATING WITH UL REGISTRATION: 3 A PER PORT / 9 A MAX
 IP DEGREE OF PROTECTION: IP 67
 TEMPERATURE RANGE: -25°C to + 85°C

SYMBOLS	DIMENSION UNITS	SCALE	CURRENT REV DESC: LASER PRINT UPDATE	molex		
▽ = 0	mm		EC NO: 606042	MPIS M12 PNP NOS 5P 8PT AC FE STR XM STA DUAL		
▽ = 0	GENERAL TOLERANCES (UNLESS SPECIFIED)		DRWN: SSM 2018/08/30	PRODUCT CUSTOMER DRAWING		
▽ = 0	ANGULAR TOL ± °		CHK'D: RSILLER 2018/10/18	DOCUMENT NUMBER		
▽ = 0	4 PLACES ±		APPR: RSILLER 2018/10/18	1202480046		
▽ = 0	3 PLACES ±		INITIAL REVISION:	DOC TYPE DOC PART REVISION		
▽ = 0	2 PLACES ±		DRWN: AAHLERS 2015/04/01	PSD 000 B		
▽ = 0	1 PLACE ±		APPR: RSILLER 2015/05/20	MATERIAL NUMBER		
▽ = 0	0 PLACES ± 0.25			CUSTOMER		
▽ = 0	DRAFT WHERE APPLICABLE MUST REMAIN WITHIN DIMENSIONS		THIRD ANGLE PROJECTION	SHEET NUMBER		
▽ = 0			DRAWING	SEE TABLE 1		
▽ = 0			SERIES	GENERAL MARKET		
▽ = 0			A3-SIZE	1 OF 2		
▽ = 0			120248			

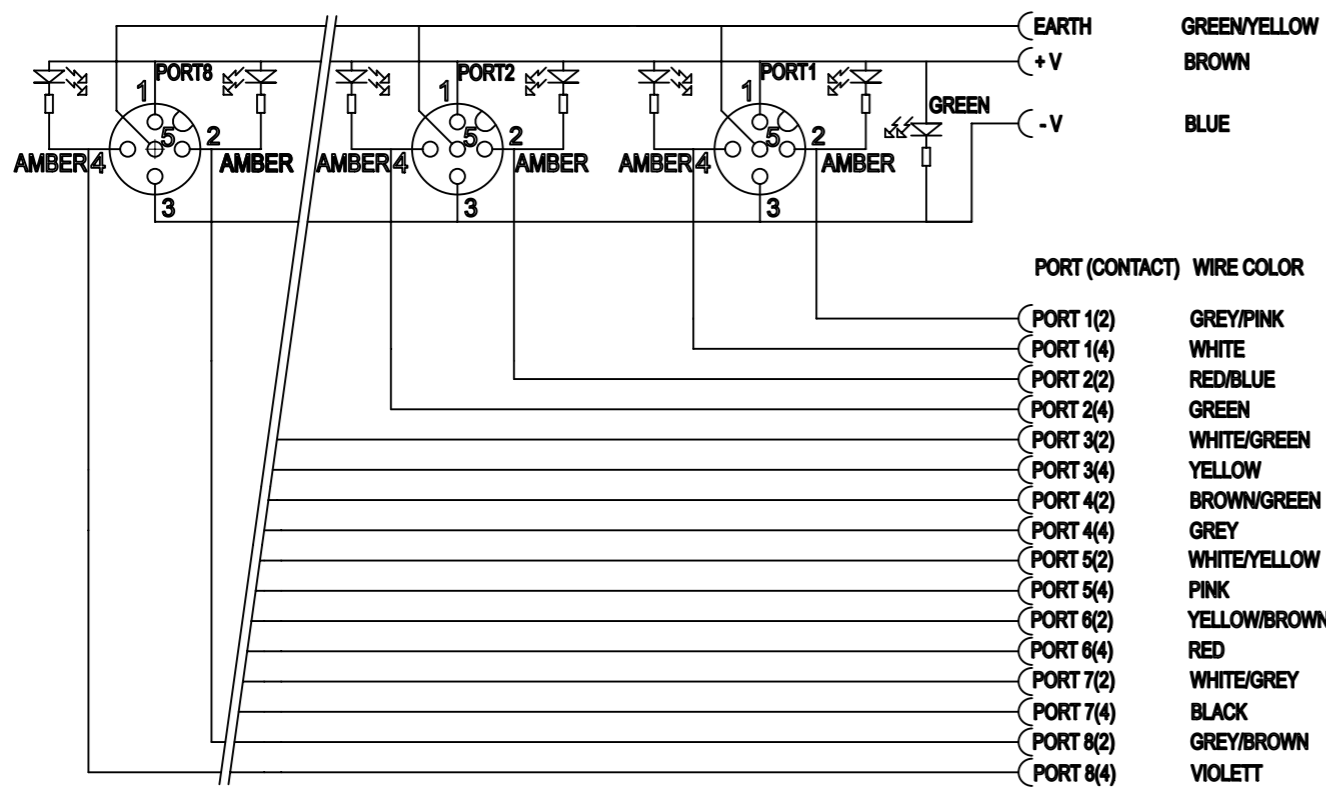
Wiring Diagram NON LED Dual



Wiring Diagram PNP Dual



Wiring Diagram NPN Dual



SYMBOLS	THIS DRAWING CONTAINS INFORMATION THAT IS PROPRIETARY TO MOLEX ELECTRONIC TECHNOLOGIES, LLC AND SHOULD NOT BE USED WITHOUT WRITTEN PERMISSION	CURRENT REV DESC: LASER PRINT UPDATE		molex		
	DIMENSION UNITS	SCALE	MPIS M12 PNP NOS 5P 8PT AC FE STR XM STA DUAL			
▽ = 0	mm	EC NO: 606042		PRODUCT CUSTOMER DRAWING		
▽ = 0	GENERAL TOLERANCES (UNLESS SPECIFIED)	DRWN: SSM	2018/08/30			
▽ = 0	ANGULAR TOL ± °	CHK'D: RSILLER	2018/10/18	DOCUMENT NUMBER		
▽ = 0	4 PLACES ±	APPR: RSILLER	2018/10/18			
▽ = 0	3 PLACES ±	INITIAL REVISION:		DOC TYPE		
▽ = 0	2 PLACES ±	DRWN: AAHLERS	2015/04/01		DOC PART	
▽ = 0	1 PLACE ±	APPR: RSILLER	2015/05/20	REVISION		
▽ = 0	0 PLACES ± 0.25	DRAFT WHERE APPLICABLE MUST REMAIN WITHIN DIMENSIONS			1202480046	
■ = 0	THIRD ANGLE PROJECTION	DRAWING	SERIES	MATERIAL NUMBER	CUSTOMER	SHEET NUMBER
▽ = 0		A3-SIZE	120248	SEE TABLE 1	GENERAL MARKET	2 OF 2