

THIS DRAWING IS UNPUBLISHED.

RELEASED FOR PUBLICATION

20

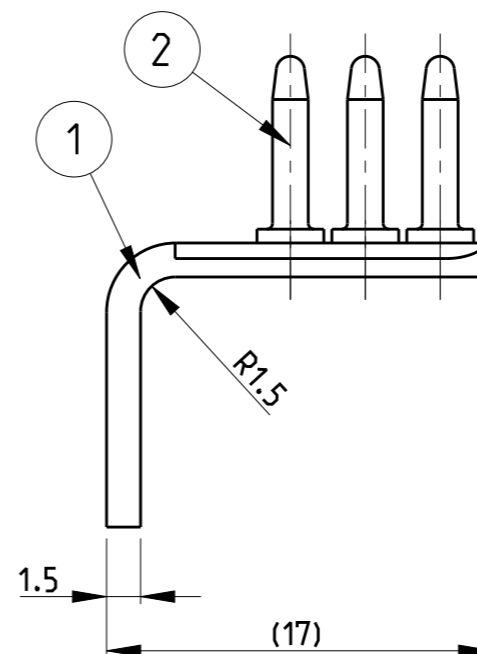
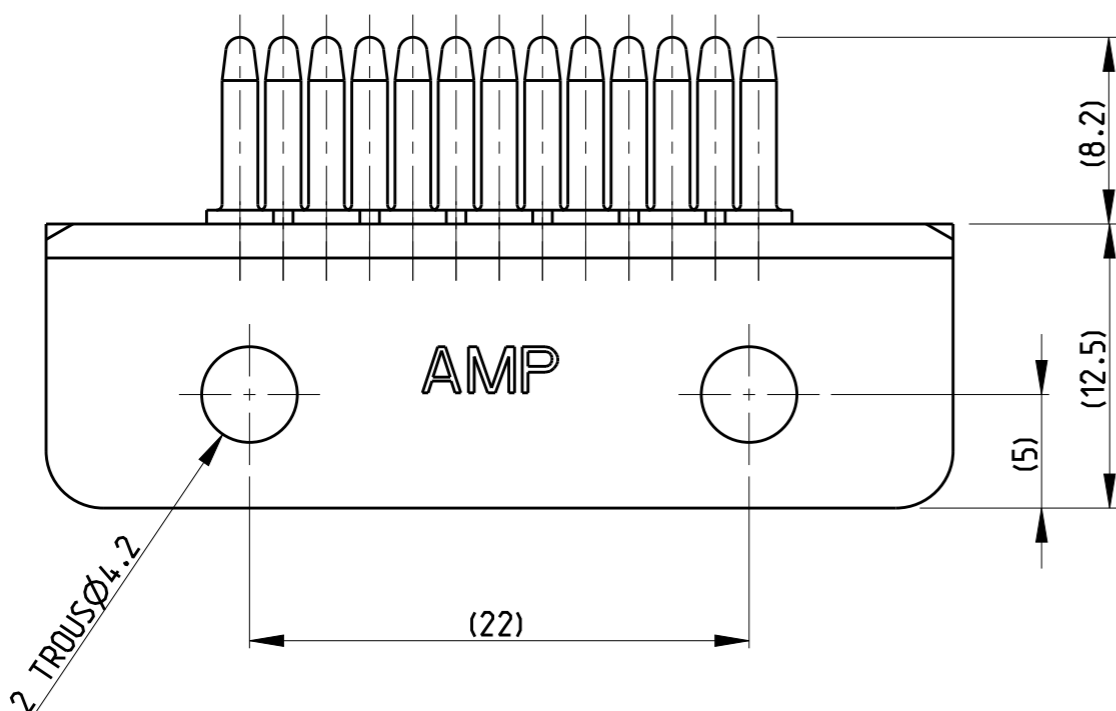
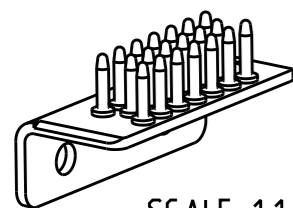
© COPYRIGHT 20 BY -

ALL RIGHTS RESERVED.

LOC F DIST 00

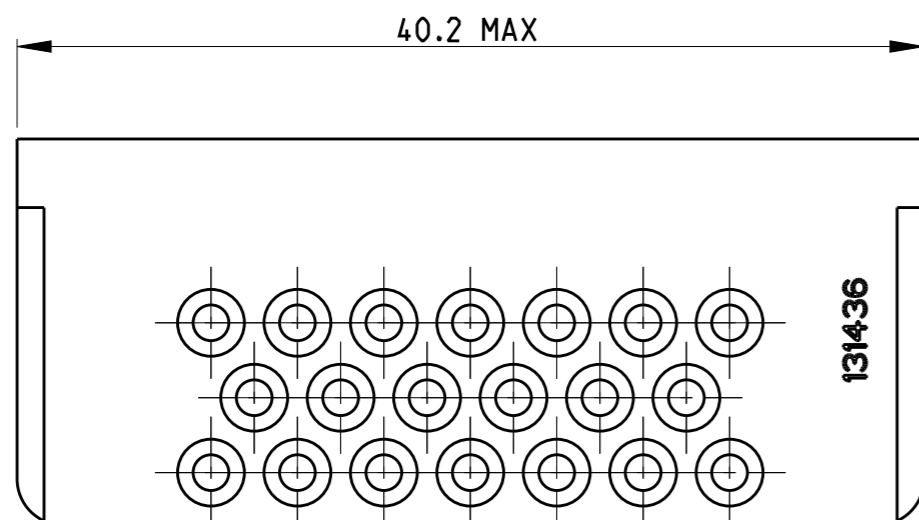
REVISIONS

P	LTR	DESCRIPTION	DATE	DWN	APVD
A		REDRAW CLARIFICATION	18JUN2013	JT	YP
B		ADDED NOTE 1	22MAR2019	LN	YP



- 1. MATES TO 131435-3, 130733-2, 130733-4.
- 2 0.8 µm MIN AU OVER NICKEL
- 3 4 µm MIN Sn. OVER Cu UNDERLAYER

FINISH	MATERIAL	QTY	PART DESCRIPTION	ITEM
2	BRASS	20	PIN	2
3	BRASS	1	BRACKET	1



131436
PART NUMBER

THIS DRAWING IS A CONTROLLED DOCUMENT.		DWN 28JUL1963	TE Connectivity	
DIMENSIONS: mm		CHK J.THUEZ 06MARS2013		
TOLERANCES UNLESS OTHERWISE SPECIFIED:		APVD Y.PETRONIN 06MARS2013	NAME BRACKET GROUNDING 20 PINS ASSY	
0 PLC ±		PRODUCT SPEC	-	
1 PLC ±		APPLICATION SPEC	-	
2 PLC ±0.13		WEIGHT 16.8g	SIZE A3	CAGE CODE 00779
3 PLC ±0.013		Customer Drawing	DRAWING NO C-131436	RESTRICTED TO -
4 PLC ±		SCALE 3:1	SHEET 1 OF 1	REV B
ANGLES ±0°30'				
MATERIAL TABLE	FINISH TABLE			