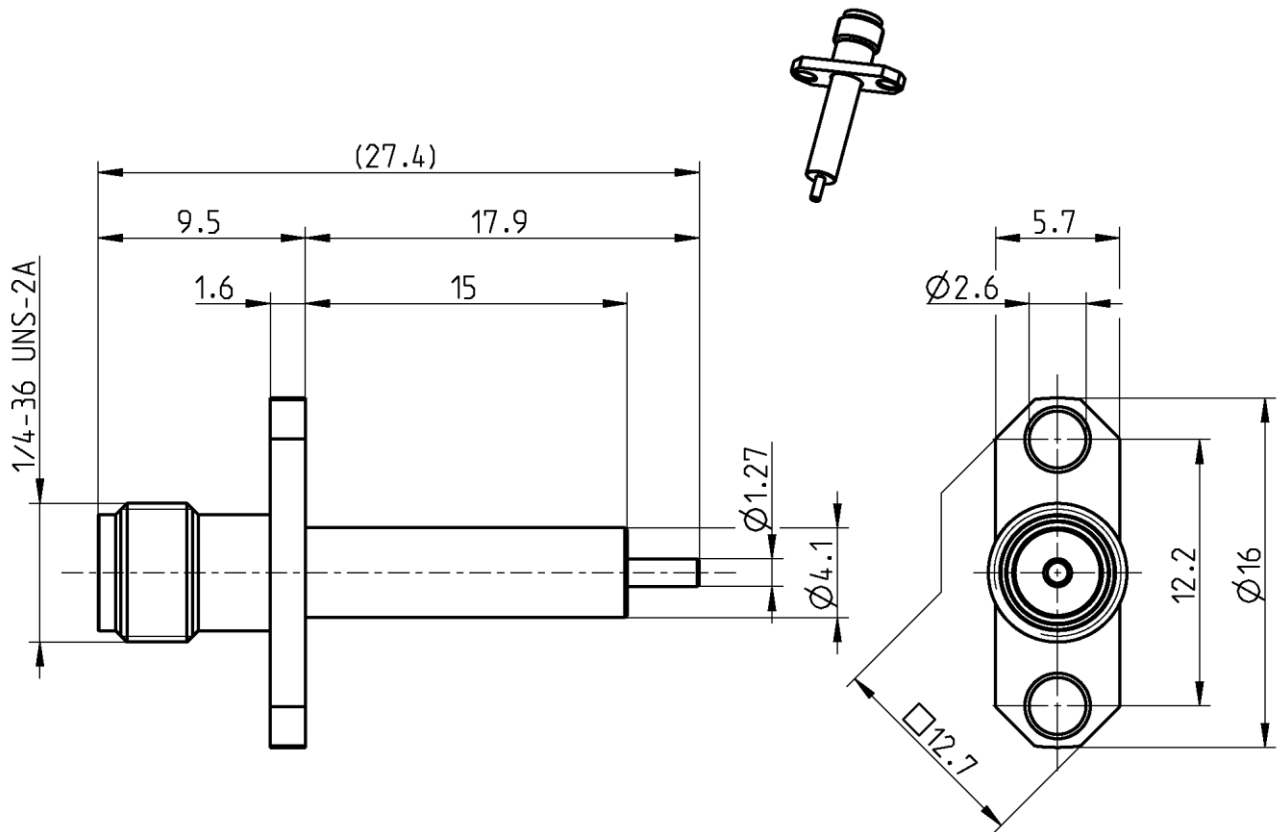


SMA

Panel Jack  
Straight Terminal

**32K722-500E3**



All dimensions are in mm; tolerances according to ISO 2768 m-H

**Interface**

According to

IEC 60169-15, EN 122110, MIL-STD-348A, Fig. 310

**Documents**

Panel piercing

B 55a

**Material and plating**

**Connector parts**

Center contact  
Outer contact  
Dielectric

**Material**

CuBe  
Stainless steel  
PTFE

**Plating**

Gold, min. 1.27 µm, over chemical nickel  
Gold, min. 0.8 µm, over nickel

**Electrical data**

Impedance	50 Ω
Frequency	DC to 18 GHz
VSWR	≤ 1.05 + 0.005 x f [GHz], DC to 8 GHz ≤ 1.30 8 to 18 GHz
Insertion loss	≤ 0.04 x √f(GHz) dB
Insulation resistance	≥ 5 x 10 <sup>3</sup> MΩ
Center contact resistance	≤ 3 mΩ
Outer contact resistance	≤ 2 mΩ
Test voltage	1000 V rms
Working voltage	480 V rms
Power handling (at 20 °C, sea level, VSWR 1.0)	≤ 200 W @ 2 GHz
RF-leakage	≥ 100 dB up to 1 GHz

**Mechanical data**

Mating cycles	min. 500
Center contact captivation: axial	≥ 27 N
radial	≥ 3 Ncm
Coupling test torque	max. 1.7 Nm
Recommended torque	0.8 Nm to 1.1 Nm

**Environmental data**

Temperature range	-65°C to +165°C
Thermal shock	MIL-STD-202, Meth. 107, Cond. B
Corrosion	MIL-STD-202, Meth. 101, Cond. B
Vibration	MIL-STD-202, Meth. 204, Cond. D
Shock	MIL-STD-202, Meth. 213, Cond. I
Moisture resistance	MIL-STD-202, Meth. 106
RoHS	compliant

**Tooling**

N/A

**Suitable cables**

N/A

**Weight**

Weight 3.3 g/pce

While the information has been carefully compiled to the best of our knowledge, nothing is intended as representation or warranty on our part and no statement herein shall be construed as recommendation to infringe existing patents. In the effort to improve our products, we reserve the right to make changes judged to be necessary.

For the installation of the electrotechnical equipment, particular electrotechnical expertise is required.



Draft	Date	Approved	Date	Rev.	Engineering change number	Name	Date
Rong Fang	25.03.04	J. Krautenbacher	11.11.20	f00	20-1927	S. Huber-Siegl	11.11.20
Rosenberger Hochfrequenztechnik GmbH & Co. KG P.O.Box 1260 D-84526 Tittmoning Germany <a href="http://www.rosenberger.de">www.rosenberger.de</a>					Tel. : +49 8684 18-0 Email : <a href="mailto:info@rosenberger.de">info@rosenberger.de</a>		Page 2 / 2