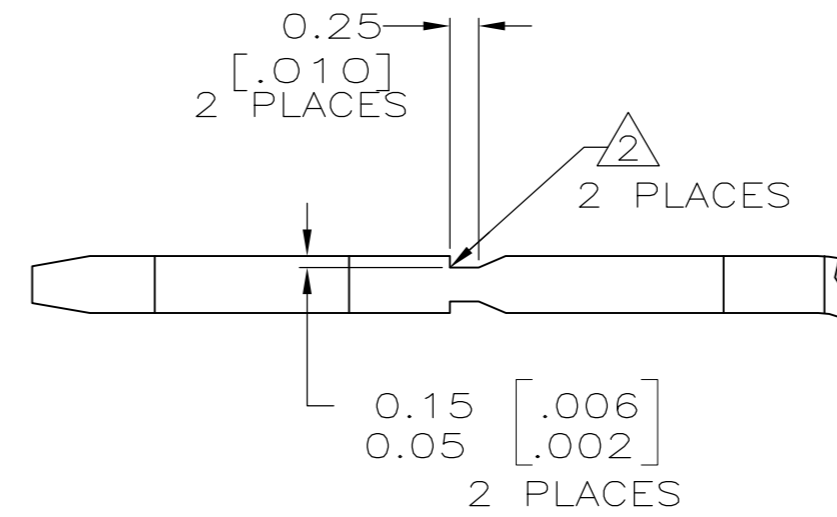
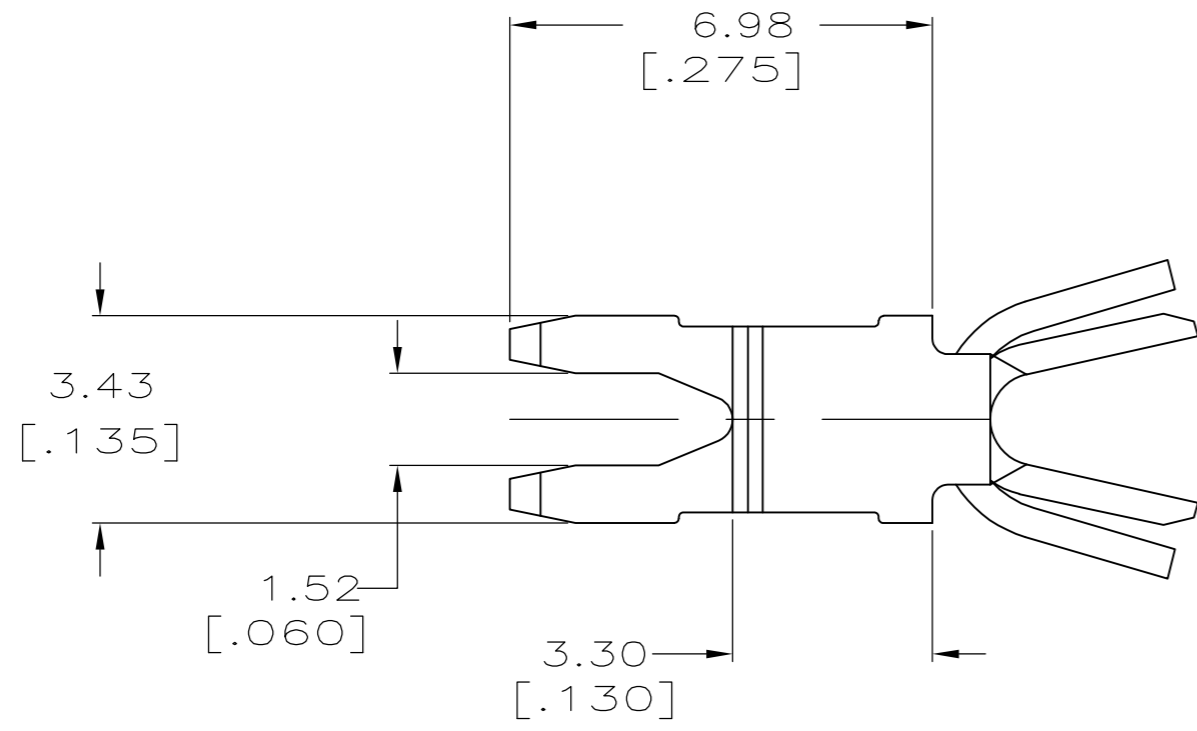
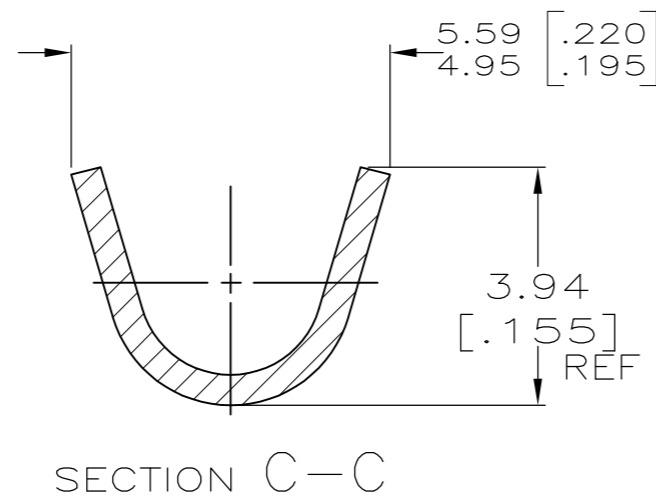
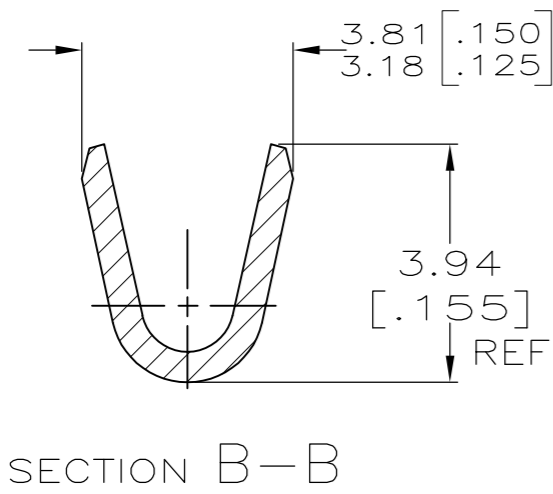
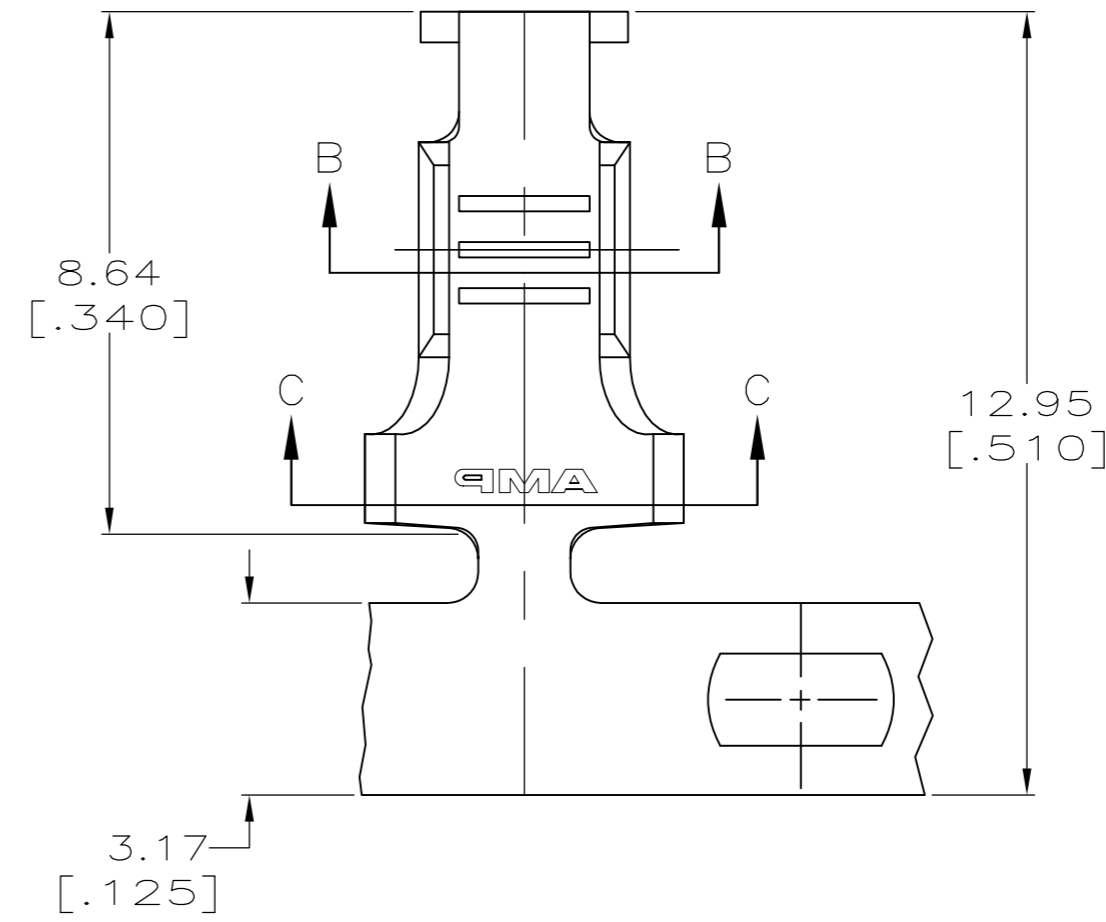
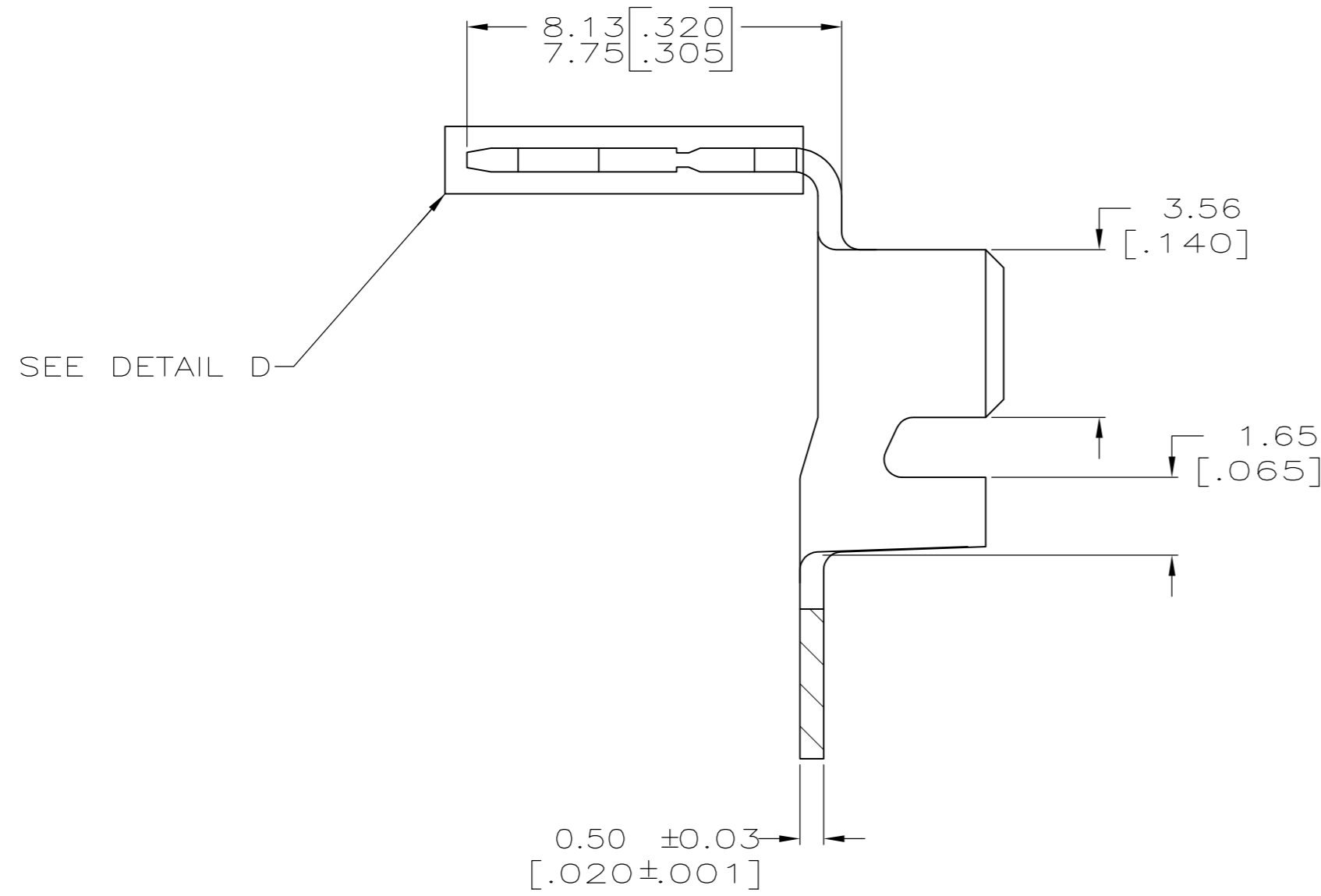


THIS DRAWING IS UNPUBLISHED. RELEASED FOR PUBLICATION
 © COPYRIGHT - By - ALL RIGHTS RESERVED.

LOC		DIST		REVISIONS			
AF	50	P	LTR	DESCRIPTION	DATE	DWN	APVD
		D1		ECR-13-016672	25OCT13	PKS	RRP



- 1 CONTINUOUS STRIP ON REELS WITH TERMINALS LOCATED ON 9.14±0.08 [.360±0.03] CENTERS
- △ FOR OPTIMUM RETENTION IN POKE-IN TYPE MAG-MATE TERMINALS, THE SERRATION AS SHOWN MUST BE ENGAGED WITH THE EDGE OF THE LEAF



STANDARD		#18-#14 AWG	2.29-3.56 DIA [.090-.140]	1217214-1
REELING		WIRE RANGE	INSULATION RANGE	PART NUMBER
THIS DRAWING IS A CONTROLLED DOCUMENT.		DWN 20SEP1999 MICHAEL S. FEHER	 TE Connectivity TAB, POKE-IN, MAG-MATE™	
DIMENSIONS:		CHK 21SEP1999 KURT A. RANDOLPH		
mm		APVD 21SEP1999 KURT A. RANDOLPH		
TOLERANCES UNLESS OTHERWISE SPECIFIED:		NAME		
0 PLC ± -	1 PLC ± -	PRODUCT SPEC	108-22045	
2 PLC ± 0.25[.010]	3 PLC ± -	APPLICATION SPEC	114-2050	
4 PLC ± -	ANGLES ± -	WEIGHT	-	
MATERIAL	FINISH	CUSTOMER DRAWING	SIZE A2	CAGE CODE 00779
BRASS	TIN PLATE	SCALE 8:1	DRAWING NO C=1217214	RESTRICTED TO -
			SHEET 1 of 1	REV D1