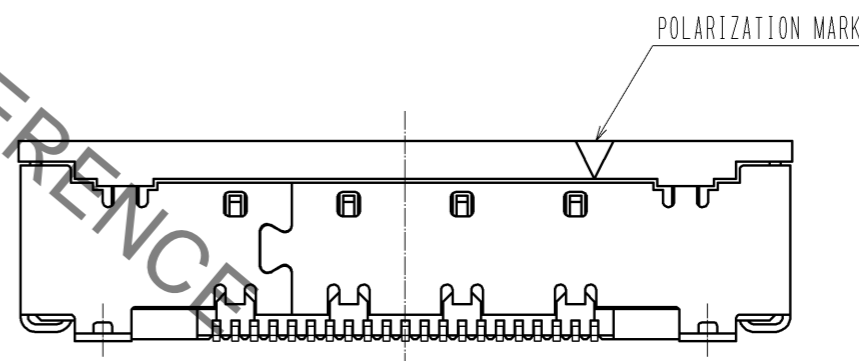
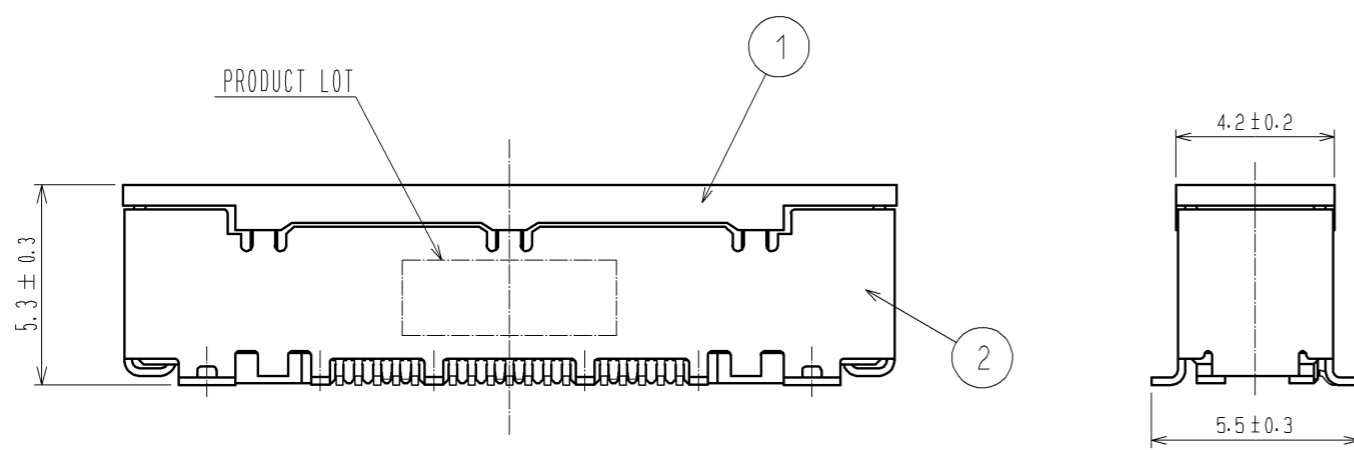
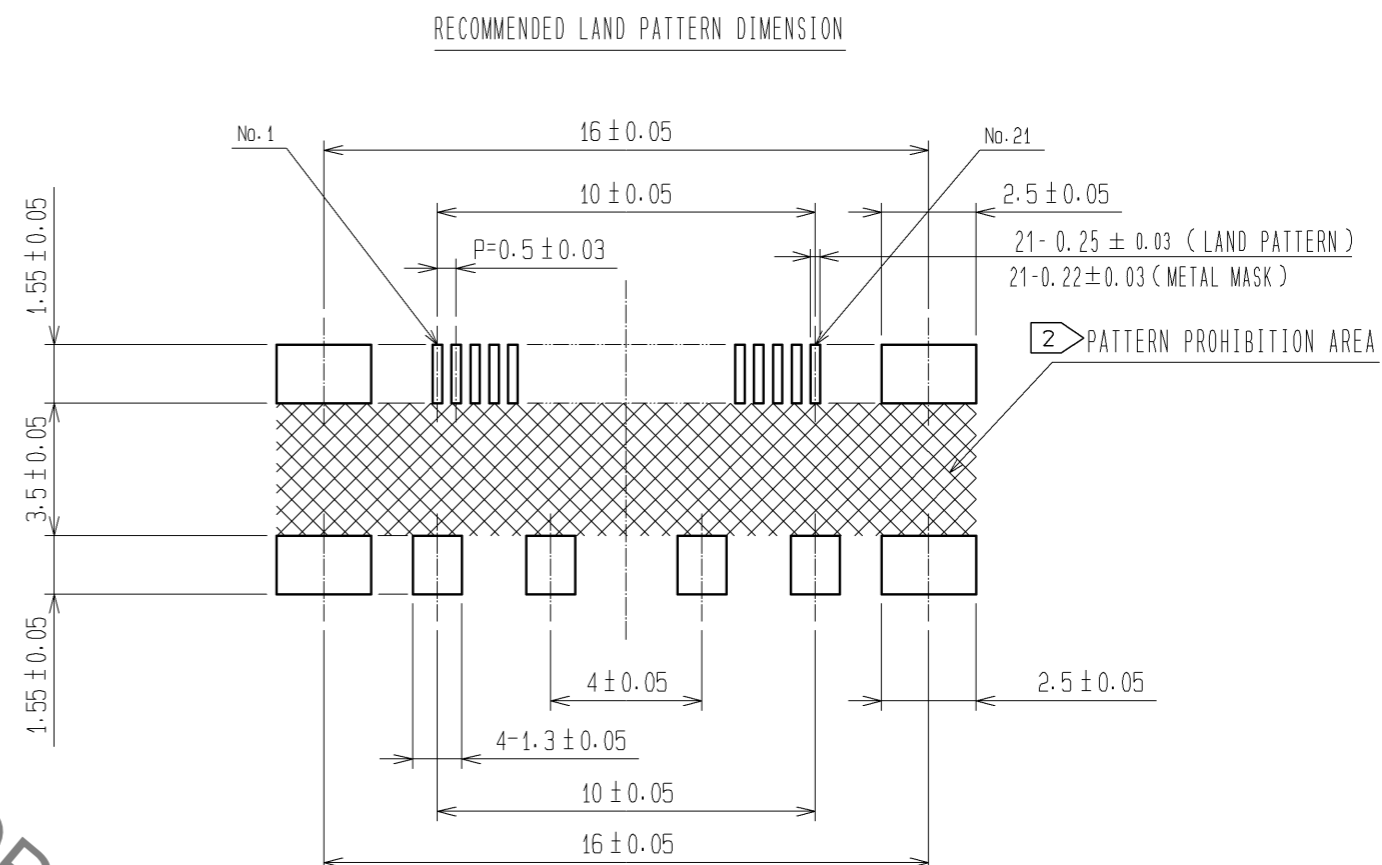
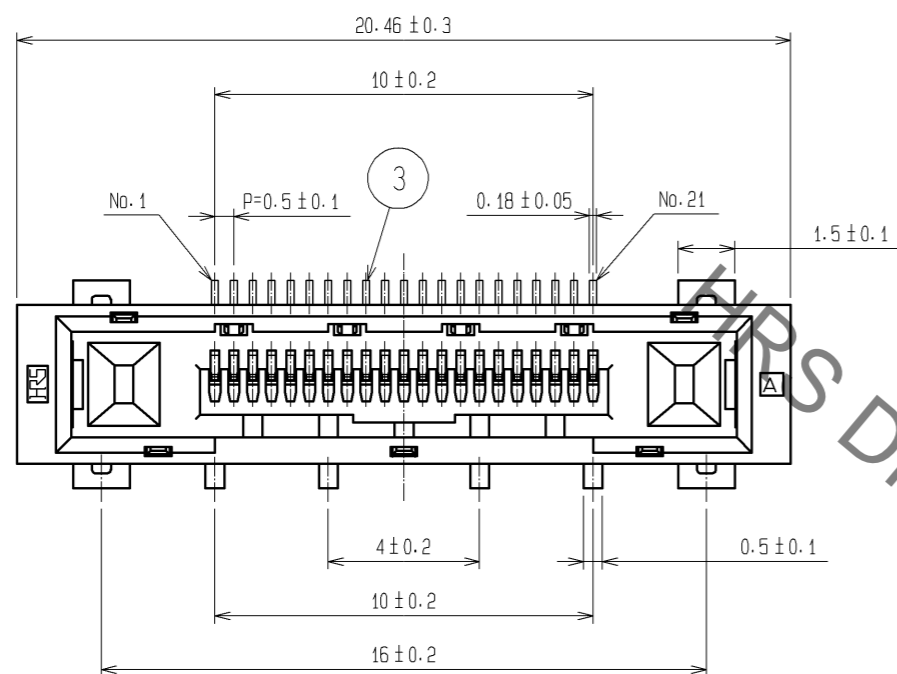


May.1.2023 Copyright 2023 HIROSE ELECTRIC CO., LTD. All Rights Reserved.
 In case of consideration for using Automotive equipment / device which demand high reliability, kindly contact our sales window correspondents.



- NOTE 1 LEAD CO-PLANARITY OF THIS PRODUCT TO BE 0.1MAX.
 2 AREA OF INNER SMT LAND REQUIRES PATTERN PROHIBITION OR RESIST TREATMENT TO PREVENT THE PATTERN TOUCHING TO THE CONTACTS.
 3 () INDICATES A REFERENCE DIMENSION.
 4 MANUFACTURING PROCESS COULD LEAVE SCRATCH AND/OR PUNCH MARKS HAVING NO AFFECT ON THE PRODUCT PERFORMANCE.
 5 PACKAGING FOR THIS PRODUCT APPLIES EMBOSSED CARRIER TAPE PACKAGING. SEE SHEET 2/2 FOR DETAILS.

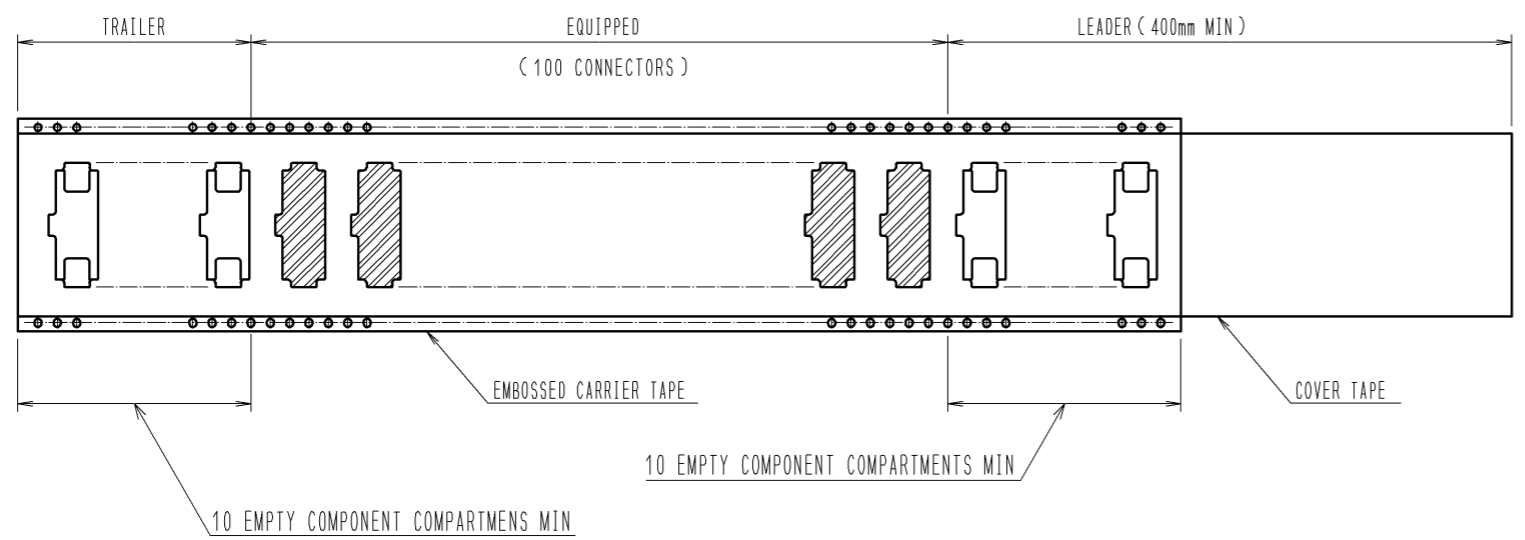
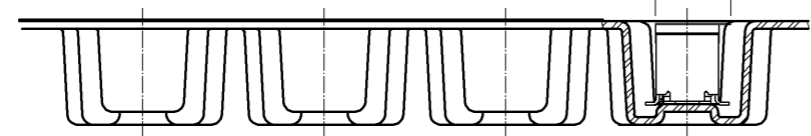
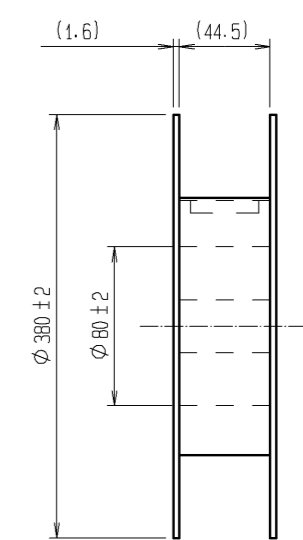
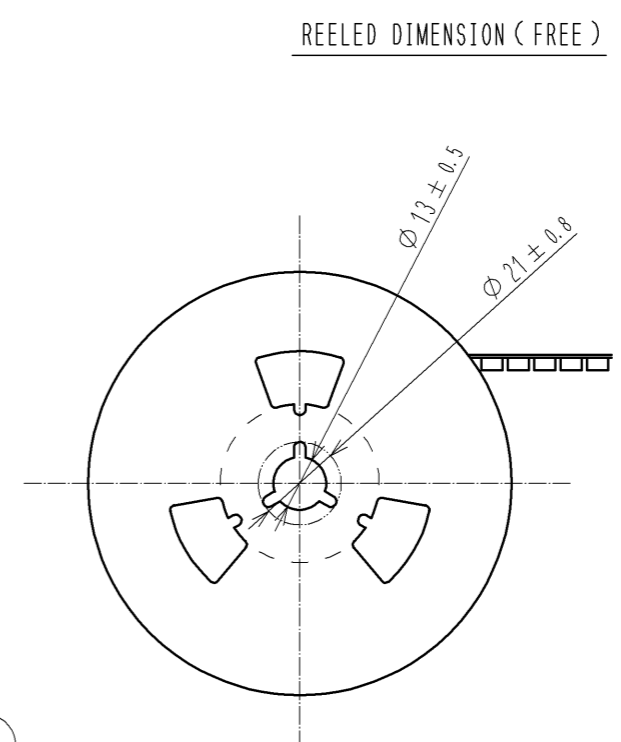
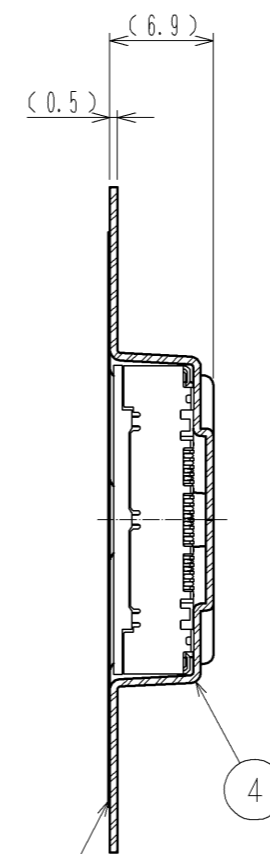
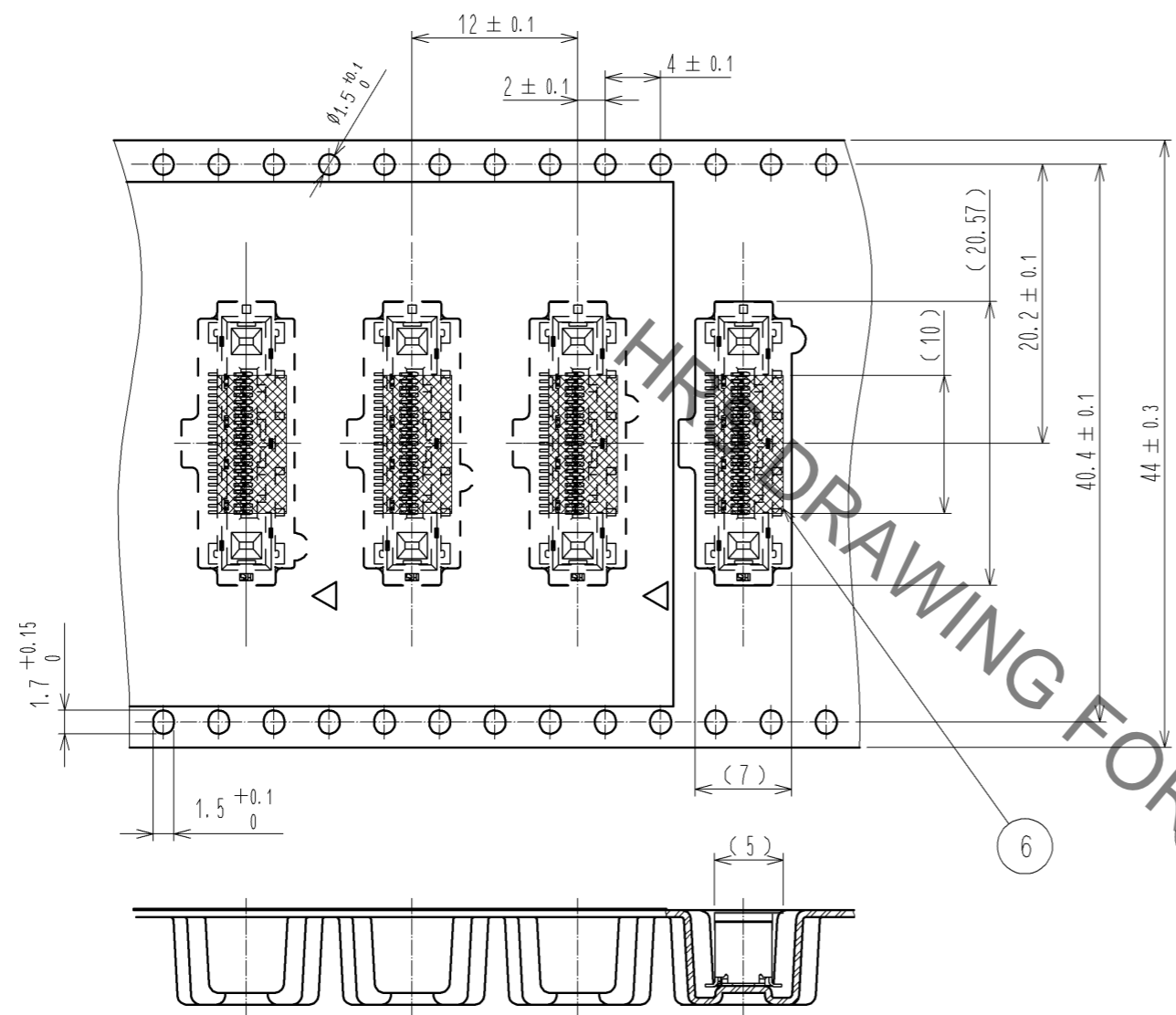
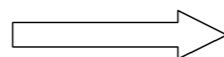
3	PHOSPHOR BRONZE	CONTACT AREA : GOLD 0.1 μm min LEAD AREA : GOLD 0.03 μm min UNDER PLATING : NICKEL 1 μm min	6	PI	(TAPE FOR VACUUM PICK UP)
1	LCP	BLACK, UL94V-0	5	PE	(COVER TAPE)
			4	PS	(EMBOSSED CARRIER TAPE)
			2	PHOSPHOR BRONZE	OVER PLATING : TIN PLATING 1 μm min UNDER PLATING : NICKEL 0.2 μm min
NO.	MATERIAL	FINISH, REMARKS	NO.	MATERIAL	FINISH, REMARKS

UNITS mm		SCALE 5 : 1	COUNT 	DESCRIPTION OF REVISIONS	DESIGNED	CHECKED	DATE
HRS HIROSE ELECTRIC CO., LTD.		APPROVED : HS. OKAWA	11.09.15	DRAWING NO.	EDC3-157329-02		
		CHECED : HT. YAMAGUCHI	11.09.15	PART NO.	FX16-21S-0.5SV(30)		
		DESIGNED : TS. MIYAKI	11.09.15	CODE NO.	CL575-3401-1-30		
		DRAWN : TS. MIYAKI	11.09.15		1/2		

May.1.2023 Copyright 2023 HIROSE ELECTRIC CO., LTD. All Rights Reserved.
 In case of consideration for using Automotive equipment / device which demand high reliability, kindly contact our sales window correspondents.

DRAWING FOR PACKING (2:1)

THE DIRECITON OF PULLING OUT



DRAWING FOR REFERENCE

HRS	DRAWING NO.	EDC3-157329-02	\triangle 2/2
	PART NO.	FX16-21S-0.5SV(30)	
	CODE NO.	CL575-3401-1-30	