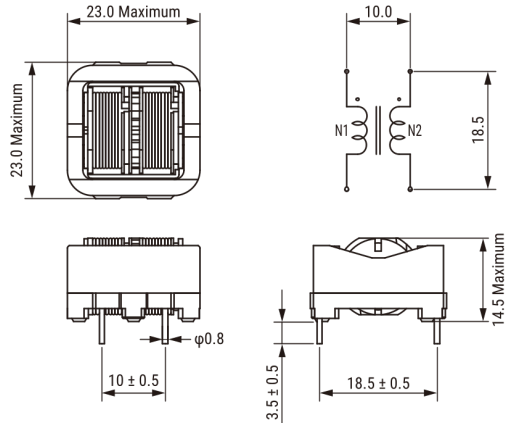


SSR21NH-13140

Aliases (UALN21H1314000)

KEMET, SSR21NV/NH, AC Line Filters, Common Mode, 14 mH



Click [here](#) for the 3D model.

Dimensions

L	23mm MAX
T	23mm MAX
H	14.5mm MAX
LL	3.5mm +/-0.5mm
S	10mm +/-0.5mm
S1	18.5mm +/-0.5mm
Wire Size	0.4mm

Packaging Specifications

Packaging	Tray
Packaging Quantity	420
Component Weight	13 g

General Information

Series	SSR21NV/NH
Style	Through-Hole
Features	Compact Size, Light Weight, High Performance, Low DCR, High Impedance, Strong Inductance
RoHS	Yes
Miscellaneous	45 (K) Temperature Rise Max.
Core	Mn-Zn Ferrite

Specifications

Voltage AC	250 VAC
Inductance	14 mH (10 kHz)
Current	1.3 A
Temperature Range	-25/+120°C
DC Resistance	210 mOhms