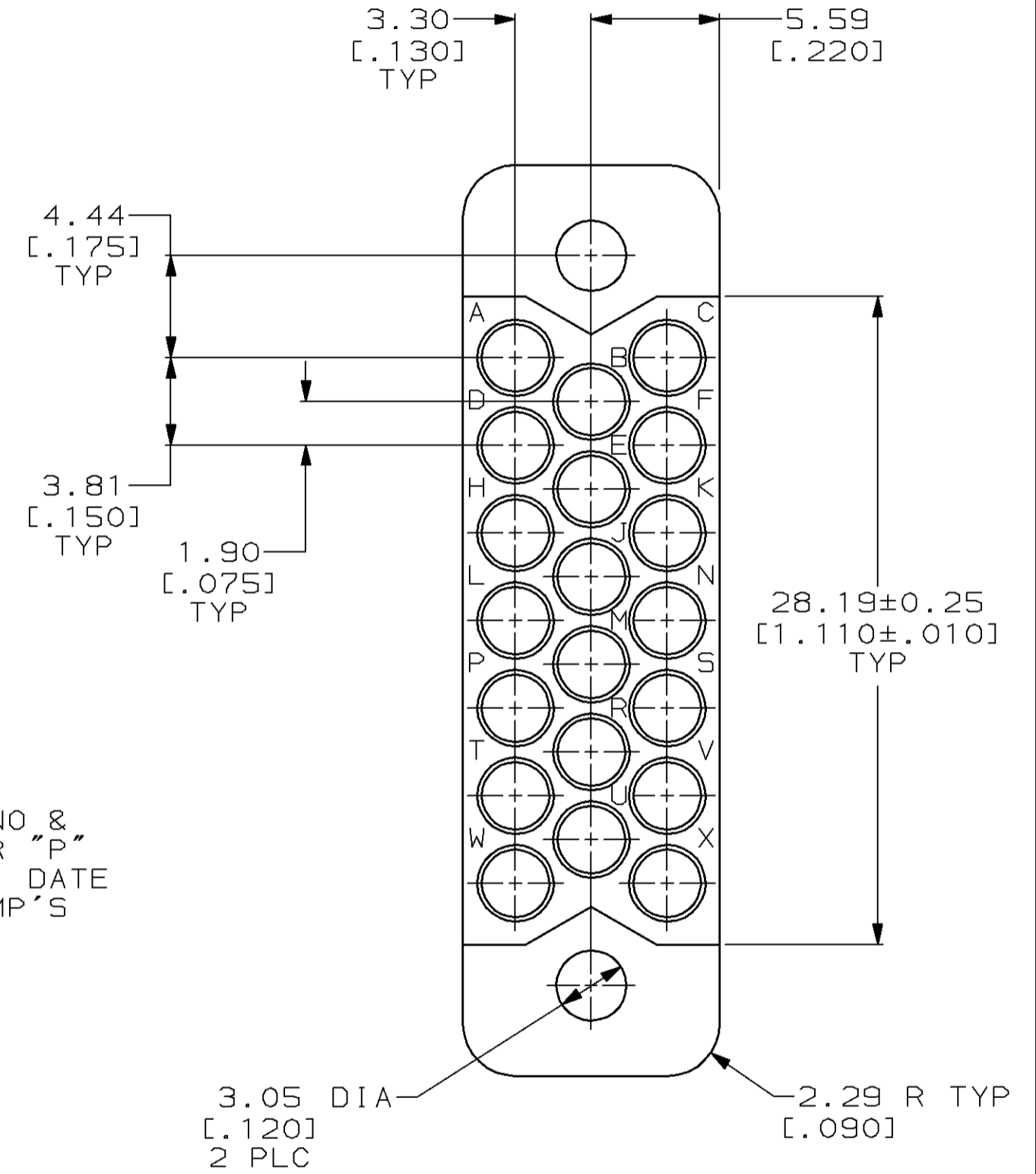
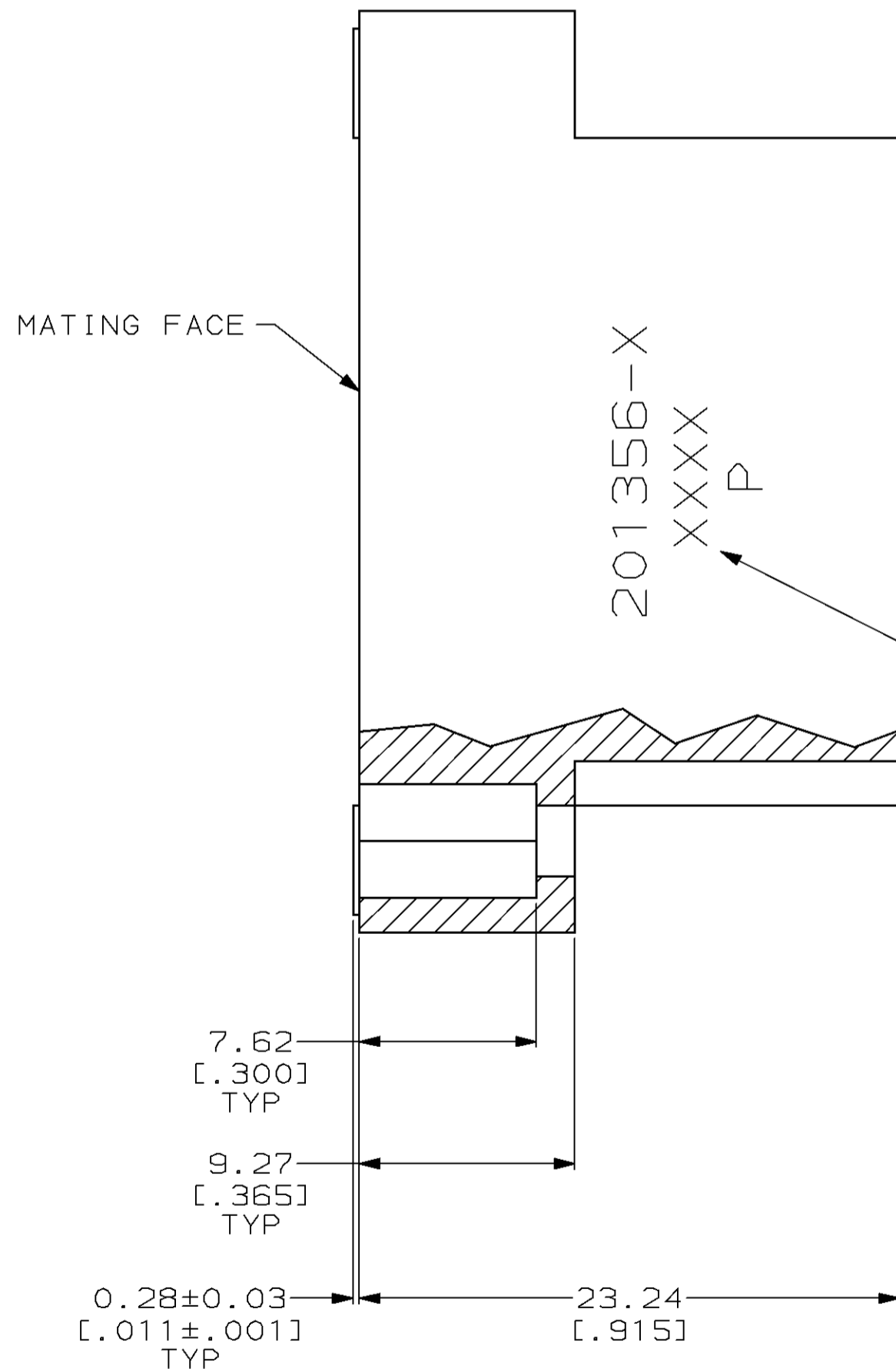
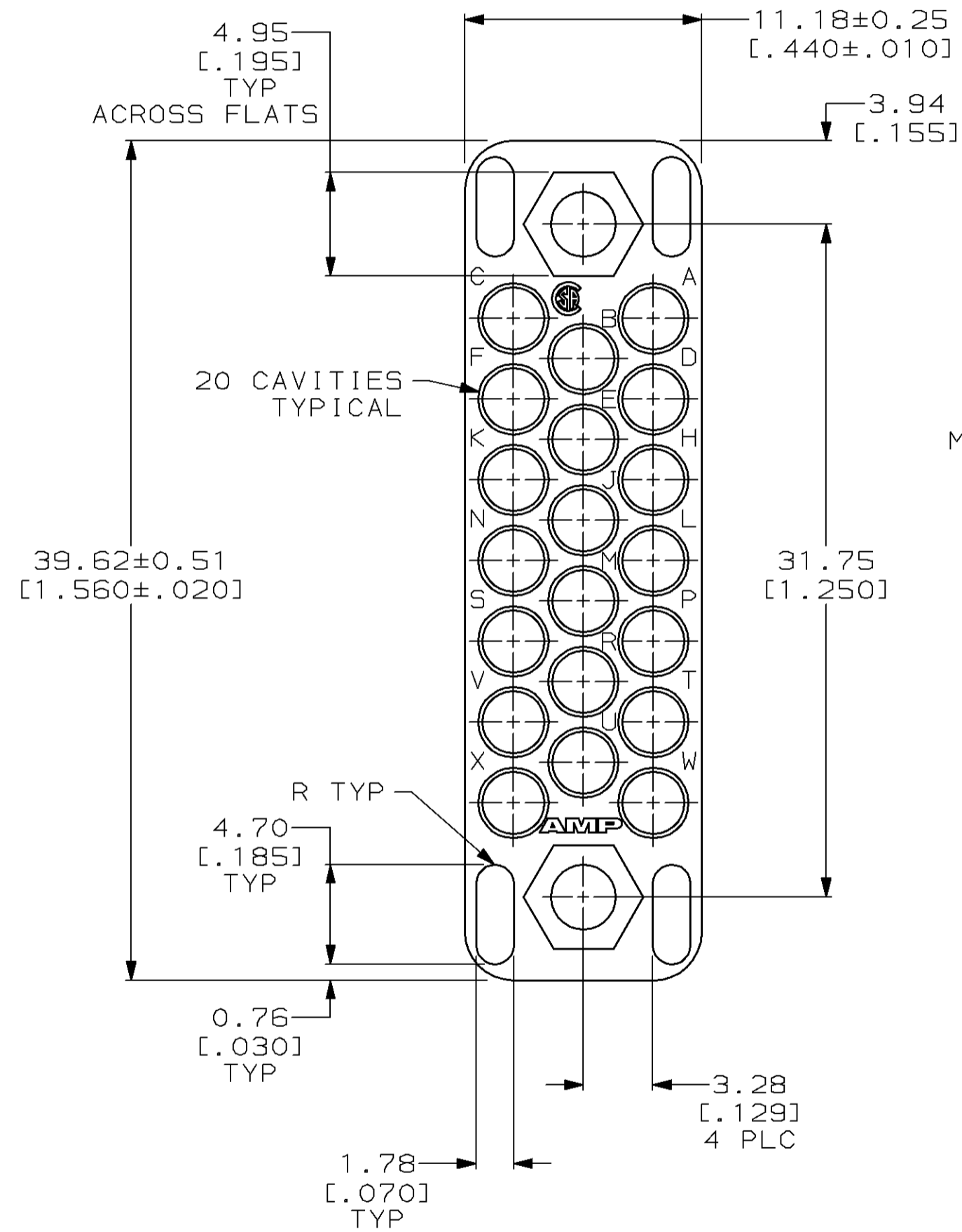
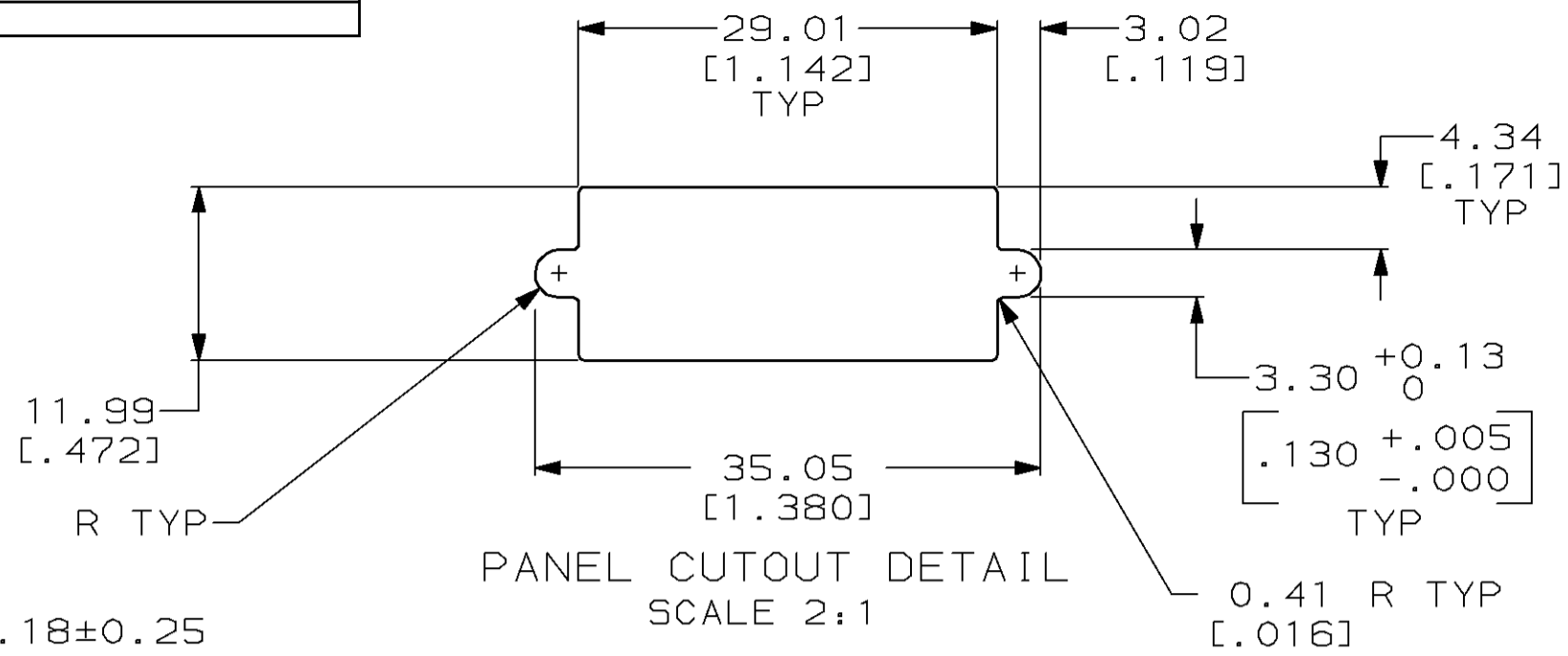


THIS DRAWING IS UNPUBLISHED. RELEASED FOR PUBLICATION  
 © COPYRIGHT 19 BY AMP INCORPORATED. ALL RIGHTS RESERVED.

| REVISIONS |     |  |           |     |      |
|-----------|-----|--|-----------|-----|------|
| P         | LTR | DESCRIPTION                            | DATE      | DWN | APVD |
|           | K   | REDRAWN W/O CHANGE PER EC 0020-1299-95 | 04 DEC 95 | -   | -    |
|           | L   | REV PER EC 0320-82-97                  | 14 AUG 97 | BC  | GS   |



- 1 PHENOLIC PER MIL-M-14, TYPE CFG, BLACK.
- 2 DIALYL PHTHALATE PER MIL-M-14, TYPE SDG-F, BLUE.
- 3. MATES WITH BLOCK 200346 & ACCOMODATES TYPE II OR TYPE III #16 PIN OR SOCKET CONTACTS.

|          |             |
|----------|-------------|
| 2        | 201356-3    |
| 1        | 201356-1    |
| MATERIAL | PART NUMBER |

|   |  |                                      |  |  |
|---|--|--------------------------------------|--|--|
| THIS DRAWING IS A CONTROLLED DOCUMENT FOR AMP INCORPORATED. IT IS SUBJECT TO CHANGE AND THE CONTROLLING ENGINEERING ORGANIZATION SHOULD BE CONTACTED FOR THE LATEST REVISION. |  | DWN<br>C. REIFSNYDER<br>04 DEC 95    | AMP Incorporated<br>Harrisburg, PA 17105-3608                        |  |
| DIMENSIONS:<br>mm [INCHES]  |  | CHK<br>R. STONE<br>13 MAR 96         | NAME<br>BLOCK, MALE, 20 PLACE,<br>MINIATURE RECTANGULAR,<br>M SERIES |  |
| TOLERANCES UNLESS OTHERWISE SPECIFIED:  |  | APVD<br>G.A. STEINHAUER<br>24 JUN 96 | PRODUCT SPEC<br>-  |  |
| 0 PLC ±-  |  | APPLICATION SPEC<br>-                | SIZE<br>A2   |  |
| 1 PLC ±-  |  | WEIGHT<br>-                          | CAGE CODE<br>00779   |  |
| 2 PLC ±0.13 [.005]  |  | CUSTOMER DRAWING                     | DRAWING NO<br>C-201356   |  |
| 3 PLC ±-  |  | SCALE<br>4:1                         | SHEET<br>1 OF 1  |  |
| 4 PLC ±-  |  |                                      | REV<br>L   |  |
| ANGLES ±-   |  |                                      |  |  |
| FINISH -  |  |                                      |  |  |
| MATERIAL<br>SEE TABLE   |  |                                      |  |  |