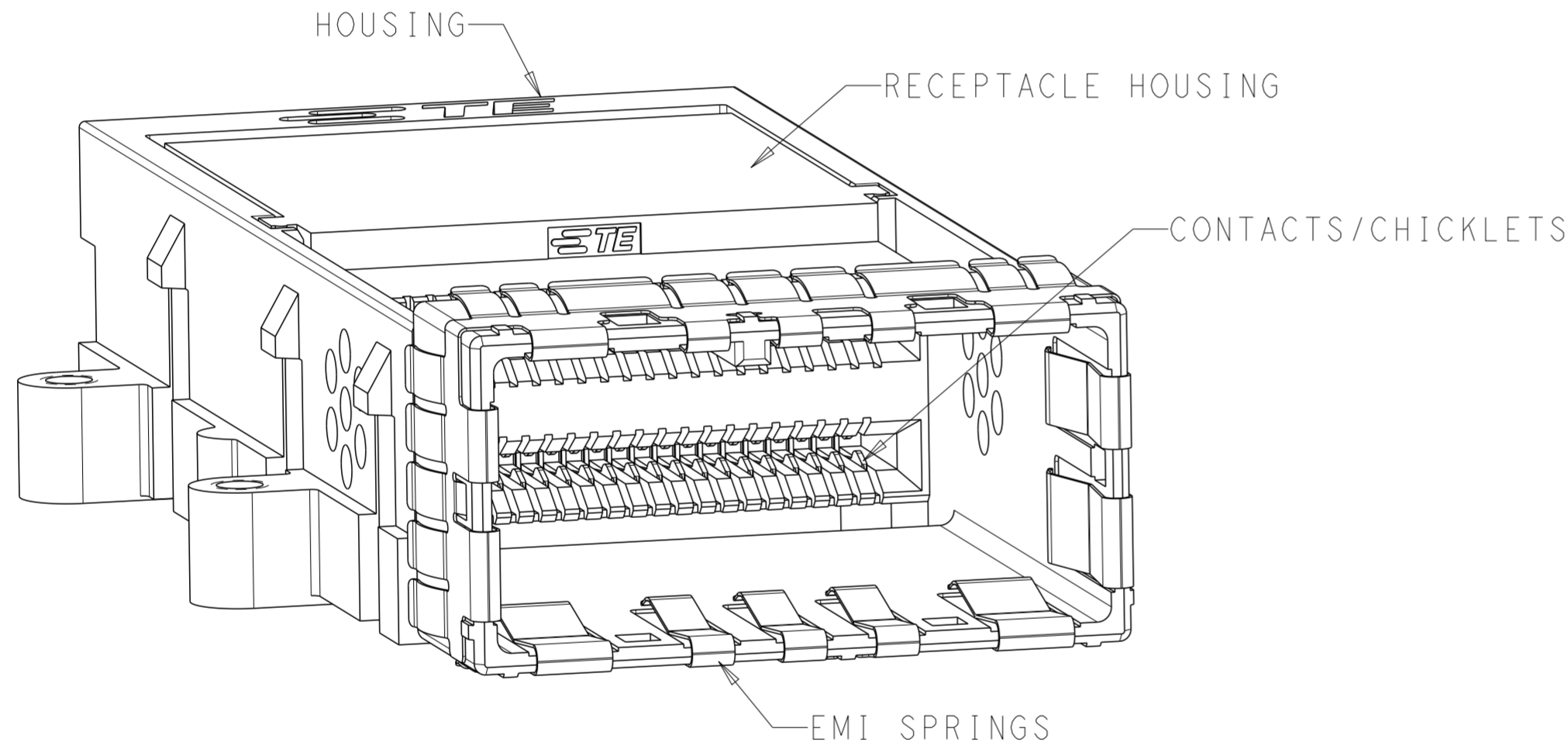


THIS DRAWING IS UNPUBLISHED. RELEASED FOR PUBLICATION 20
 © COPYRIGHT 20 BY - ALL RIGHTS RESERVED.

REVISIONS				
P	LTR	DESCRIPTION	DATE	APVD
A		RELEASED ECO-14-002997	24MAR2014	LAW SB



2149701-1
SCALE 5:1

- 1 MATERIALS:
 HOUSING - ZINC ALLOY
 RECEPTACLE HOUSING - LCP, BLACK, UL 94V-0 RATED
 CHICKLET - LCP, BLACK, UL 94V-0 RATED
 CONTACT - PHOSPHOR BRONZE
 EMI SPRING - COPPER ALLOY
- 2 FINISH:
 CONTACT - CONFORMS TO THE REQUIREMENTS OF TE
 PRODUCT SPECIFICATION 108-2426, BASED ON EIA/ECA-364-1000.01A,
 (CONTROLLED ENVIRONMENT APPLICATIONS) ON MATING INTERFACE,
 MATTE TIN PLATE OVER NICKEL UNDER PLATE ON COMPLIANT PIN
 HOUSING - NICKEL PLATED
- 3 NOTE DELETED
- 4 MOUNTING HARDWARE REQUIRED:
 M2X0.4 (4): MOUNTING SCREW LENGTH = BOARD THICKNESS + 8mm MAX
- 5 THE ENTIRE AREA OF THE CONNECTOR FOOTPRINT, INDICATED
 BY CROSSHATCHING, TO BE CONSIDERED THE KEEPOUT AREA FOR
 COMPONENTS AND SIGNAL TRACES, TOP SIDE ONLY, TOP SIDE
 TRACES ALLOWED WITHIN CONNECTOR HOLE PATTERN, CROSSHATCHING
 TO BE CONDUCTIVE
- 6 PCB THICKNESS = 1.44 MIN
- 1 FOR HOLE SIZE AND FINISHES SEE APPLICATION
 SPECIFICATION 114-13283

OBSOLETE	3	84 POSITION RECEPTACLE ASSEMBLY	2149701-2
	2	84 POSITION RECEPTACLE ASSEMBLY	2149701-1
	FINISH	DESCRIPTION	PART NUMBER

THIS DRAWING IS A CONTROLLED DOCUMENT. DIMENSIONING AND TOLERANCING PER ASME Y14.5M-2009		DWN M.E. COWHER 27SEP2010 CHK M.D. MORRISON 28SEP2010 APVD M.D. MORRISON 28SEP2010	TE Connectivity NAME RECEPTACLE ASSEMBLY, BELLY-BELLY, STANDARD, 84 POSITION, CXP		
DIMENSIONS: mm	TOLERANCES UNLESS OTHERWISE SPECIFIED: 0 PLC ±0.15 1 PLC ±0.15 2 PLC ±0.15 3 PLC ± 4 PLC ± ANGLES ±1° FINISH	PRODUCT SPEC 108-2426 APPLICATION SPEC 114-13283 WEIGHT -			SIZE A2 CAGE CODE 00779 DRAWING NO C-2149701 RESTRICTED TO -
MATERIAL		Customer Drawing	SCALE 1:1	SHEET 1 OF 4	REV A

4

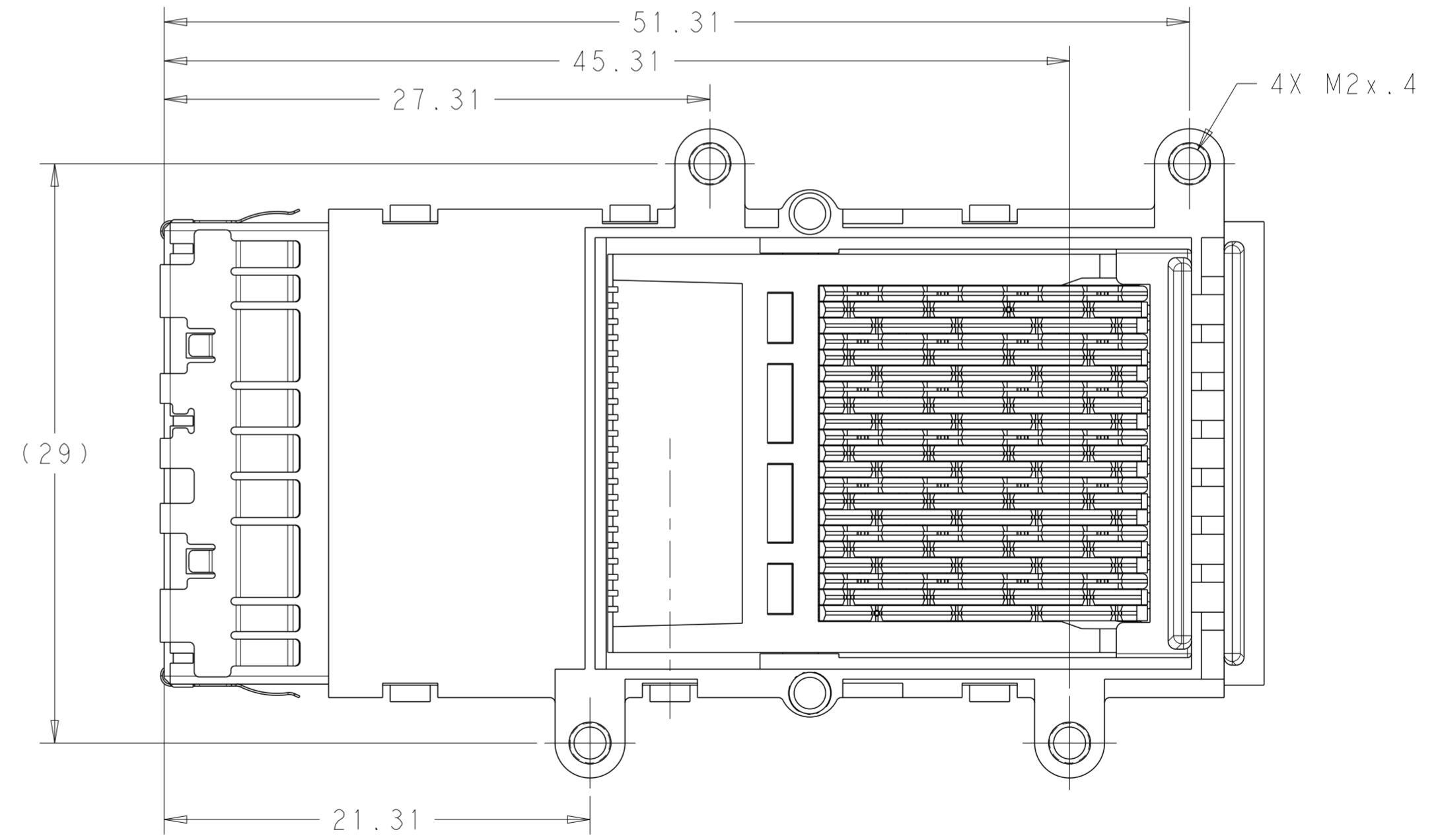
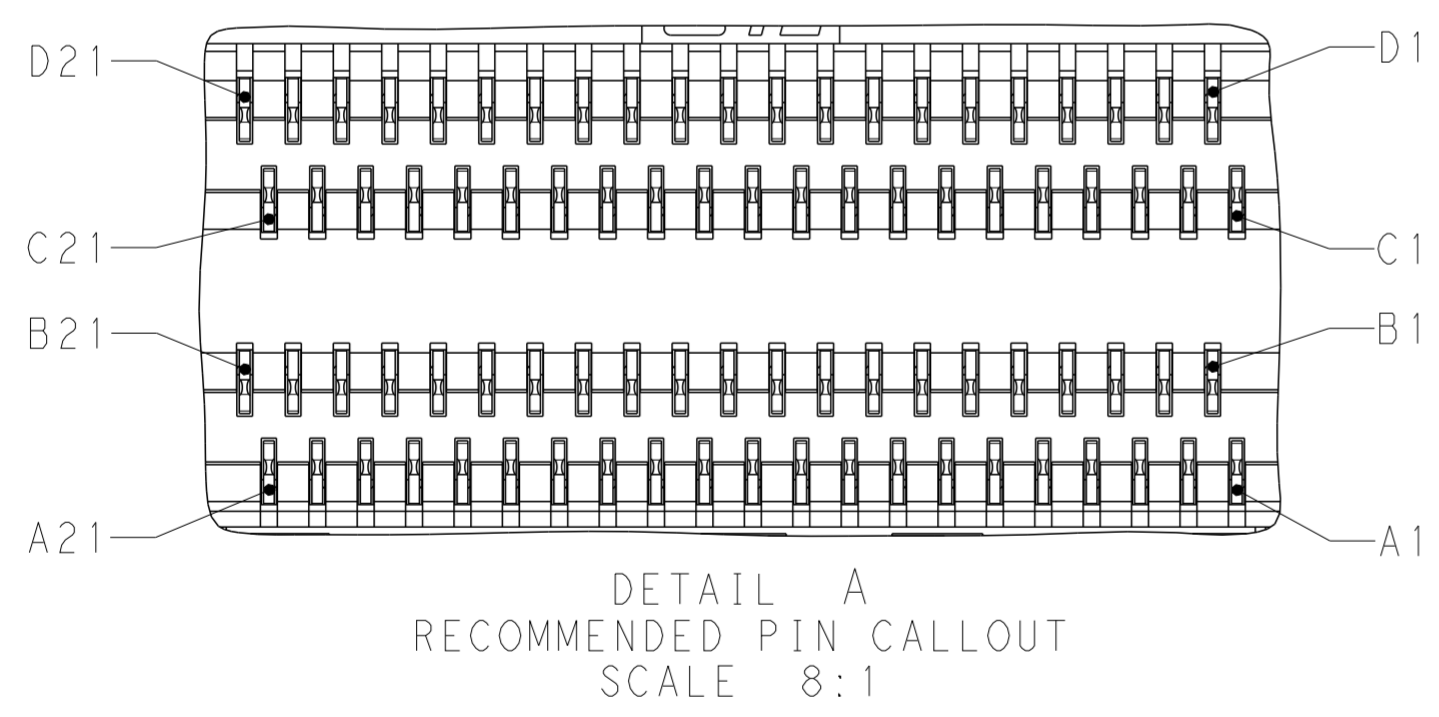
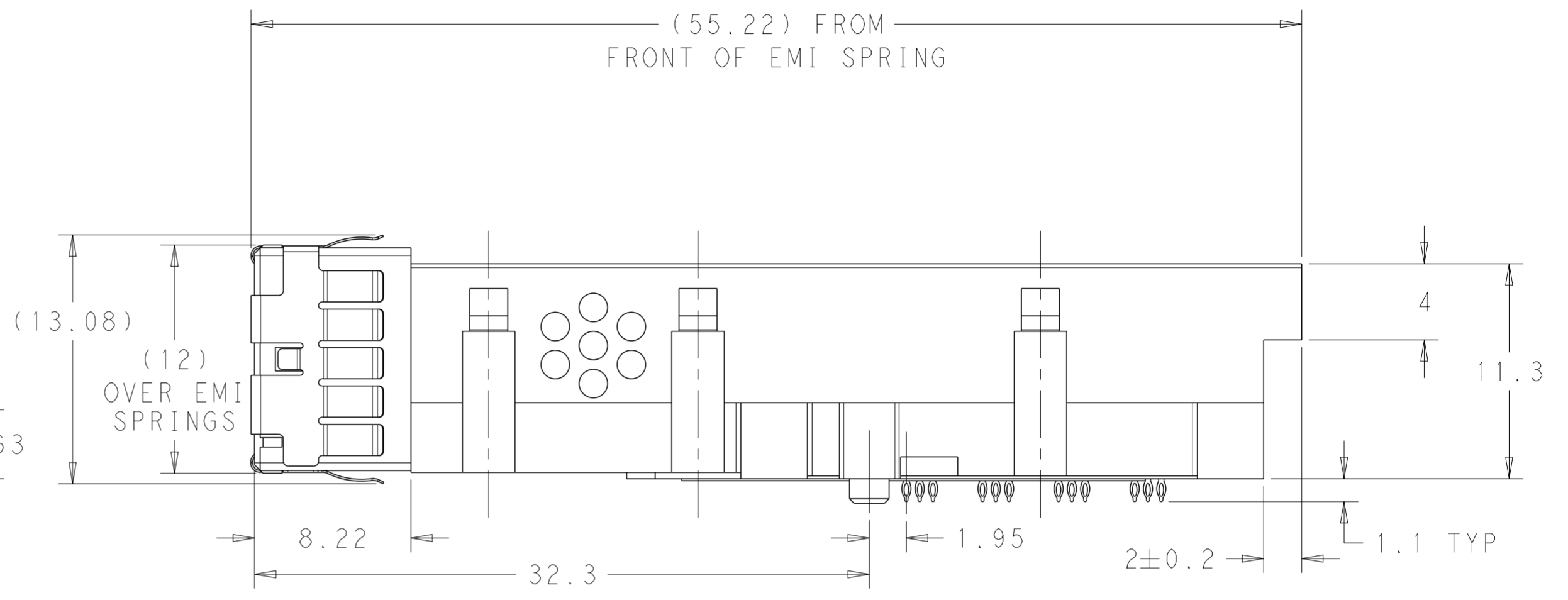
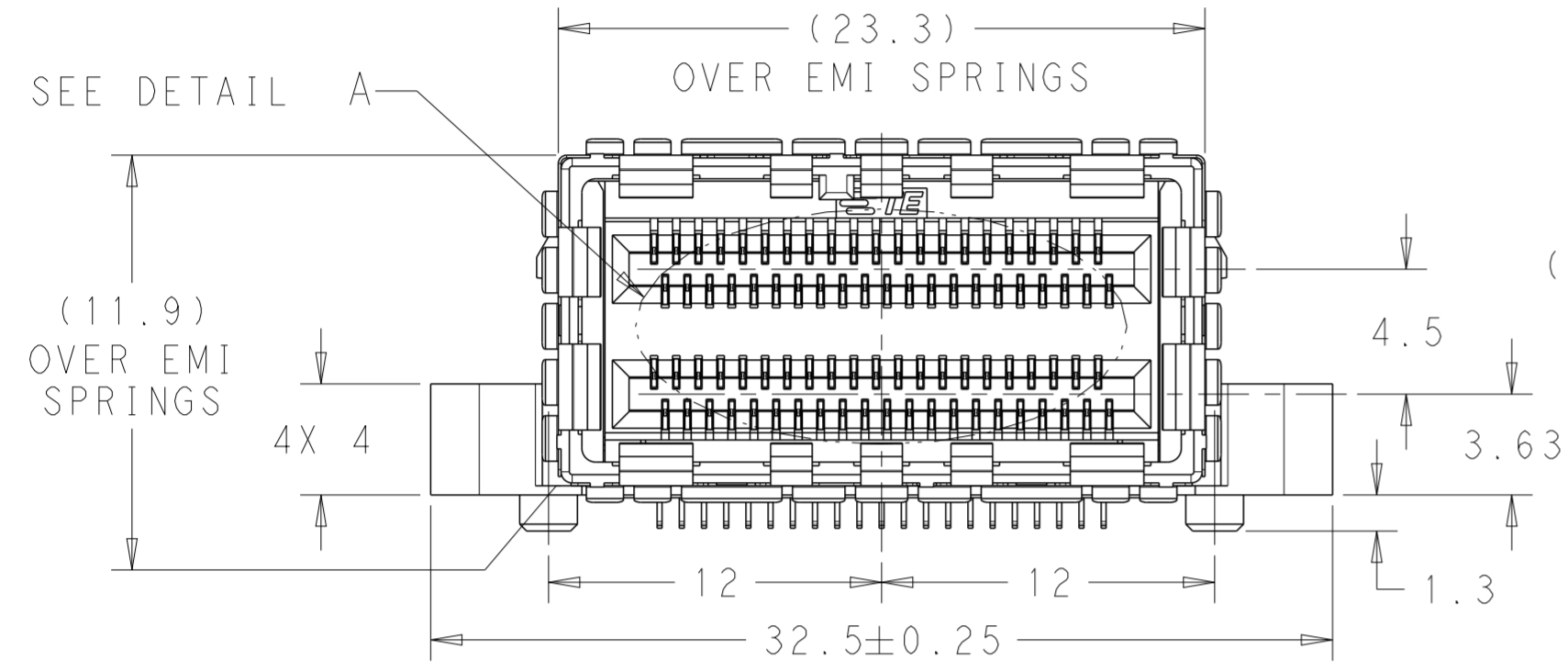
3

2

1

THIS DRAWING IS UNPUBLISHED. RELEASED FOR PUBLICATION 20
 © COPYRIGHT 20 BY - ALL RIGHTS RESERVED.

REVISIONS				
P	LTR	DESCRIPTION	DATE	APVD
-	-	SEE SHEET 1	-	-

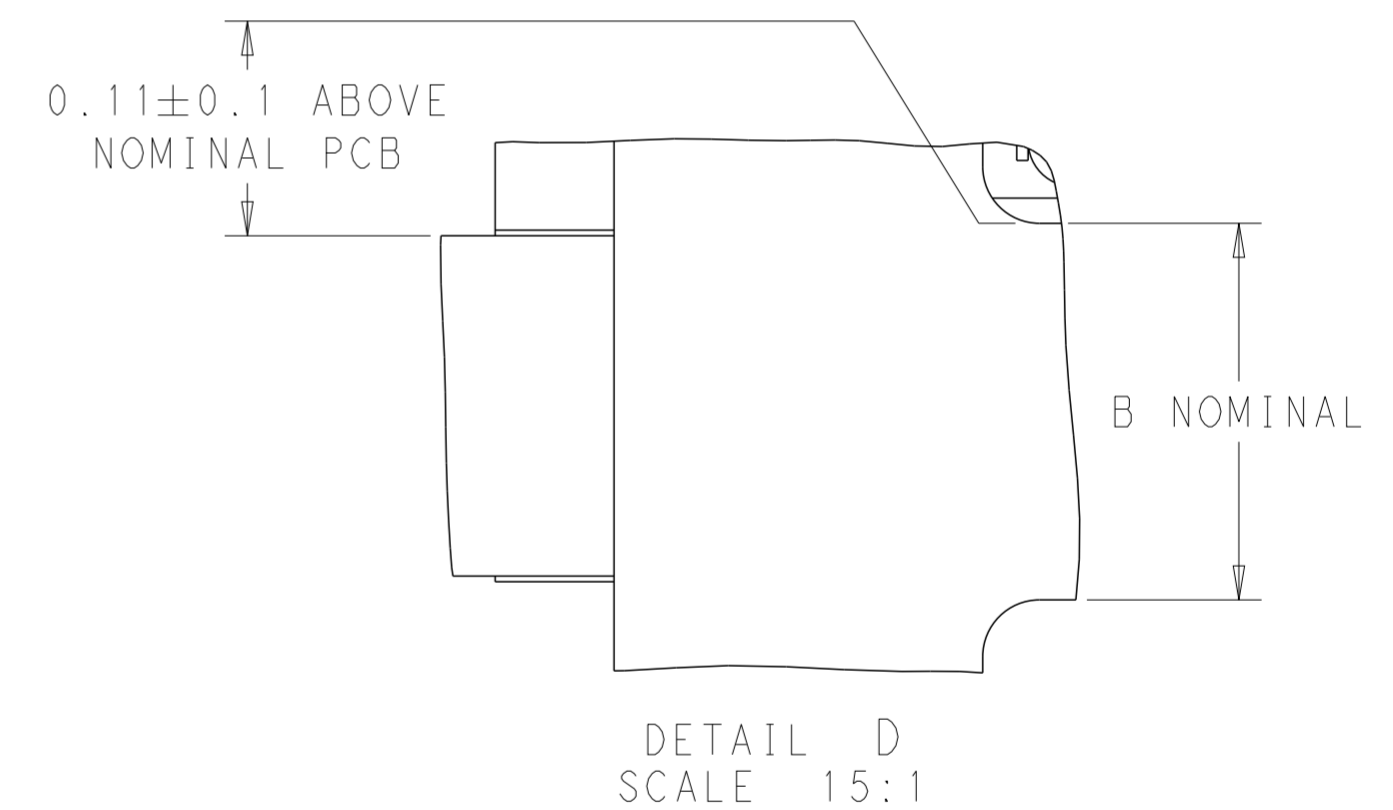
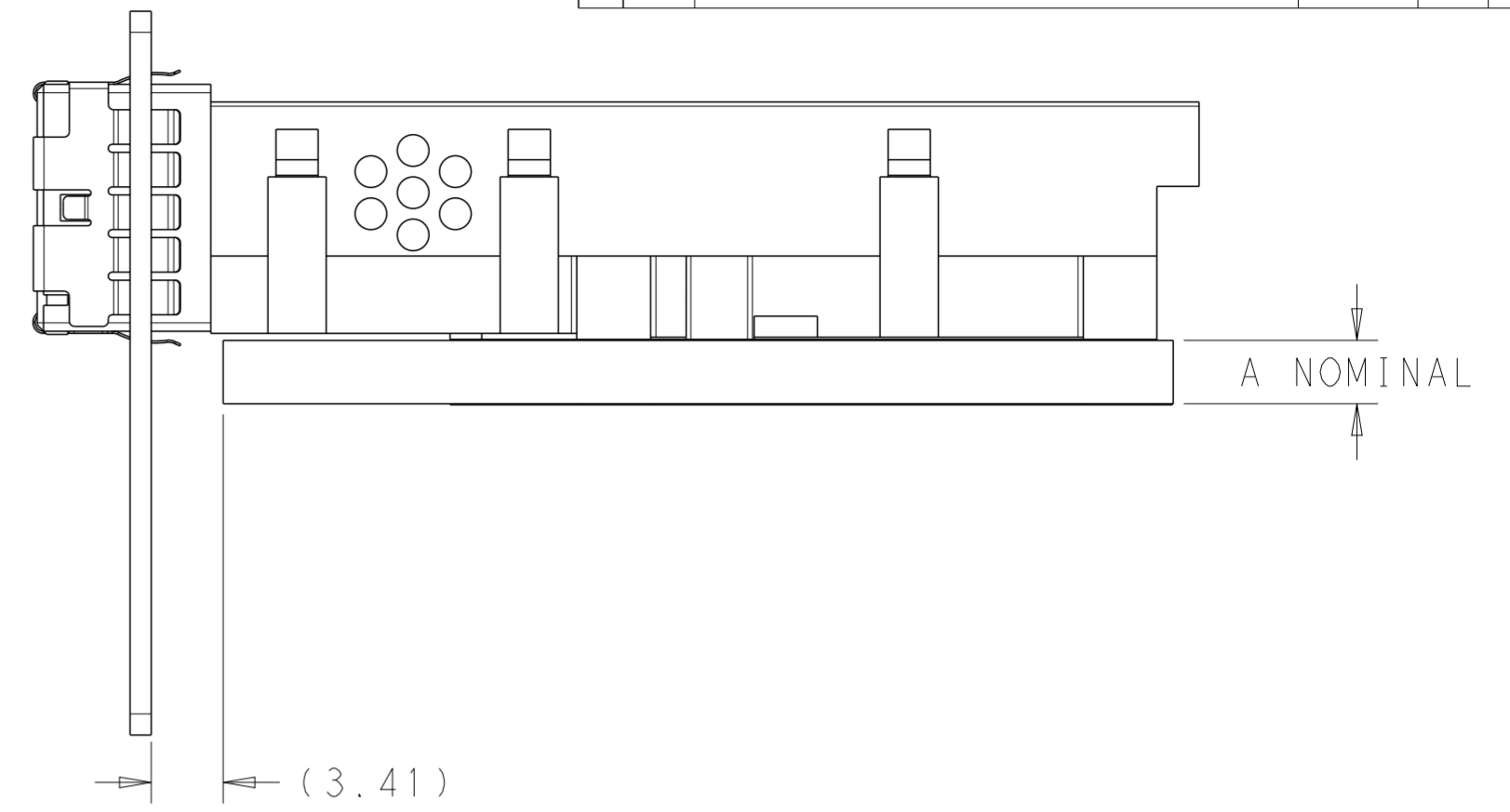
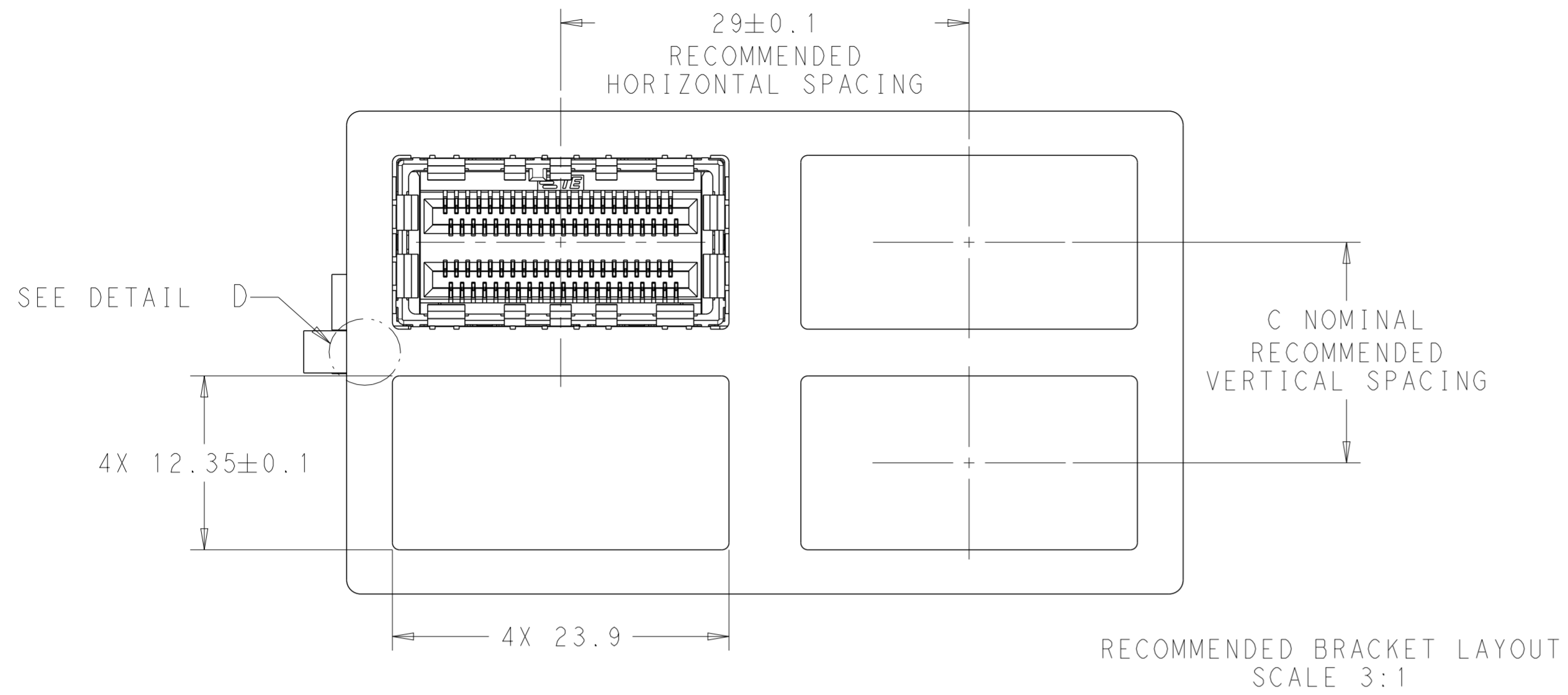


2149701-1
SCALE 4:1

THIS DRAWING IS A CONTROLLED DOCUMENT. DIMENSIONING AND TOLERANCING PER ASME Y14.5M-2009		DWN M. E. COWHER 27SEP2010	TE Connectivity	NAME RECEPTACLE ASSEMBLY, BELLY-BELLY, STANDARD, 84 POSITION, CXP	
DIMENSIONS: mm		CHK M. D. MORRISON 28SEP2010		SIZE 108-2426	CAGE CODE A200779
TOLERANCES UNLESS OTHERWISE SPECIFIED:		APVD M. D. MORRISON 28SEP2010	APPLICATION SPEC 114-13283	RESTRICTED TO	
0 PLC ±0.15 1 PLC ±0.15 2 PLC ±0.15 3 PLC ± 4 PLC ± ANGLES ±1° FINISH -		PRODUCT SPEC 108-2426	WEIGHT -	SCALE 1:1	SHEET 2 OF 4
MATERIAL -		Customer Drawing		REV A	

THIS DRAWING IS UNPUBLISHED. RELEASED FOR PUBLICATION 20
 © COPYRIGHT 20 BY - ALL RIGHTS RESERVED.

REVISIONS				
P	LTR	DESCRIPTION	DATE	APVD
-	-	SEE SHEET 1	-	-

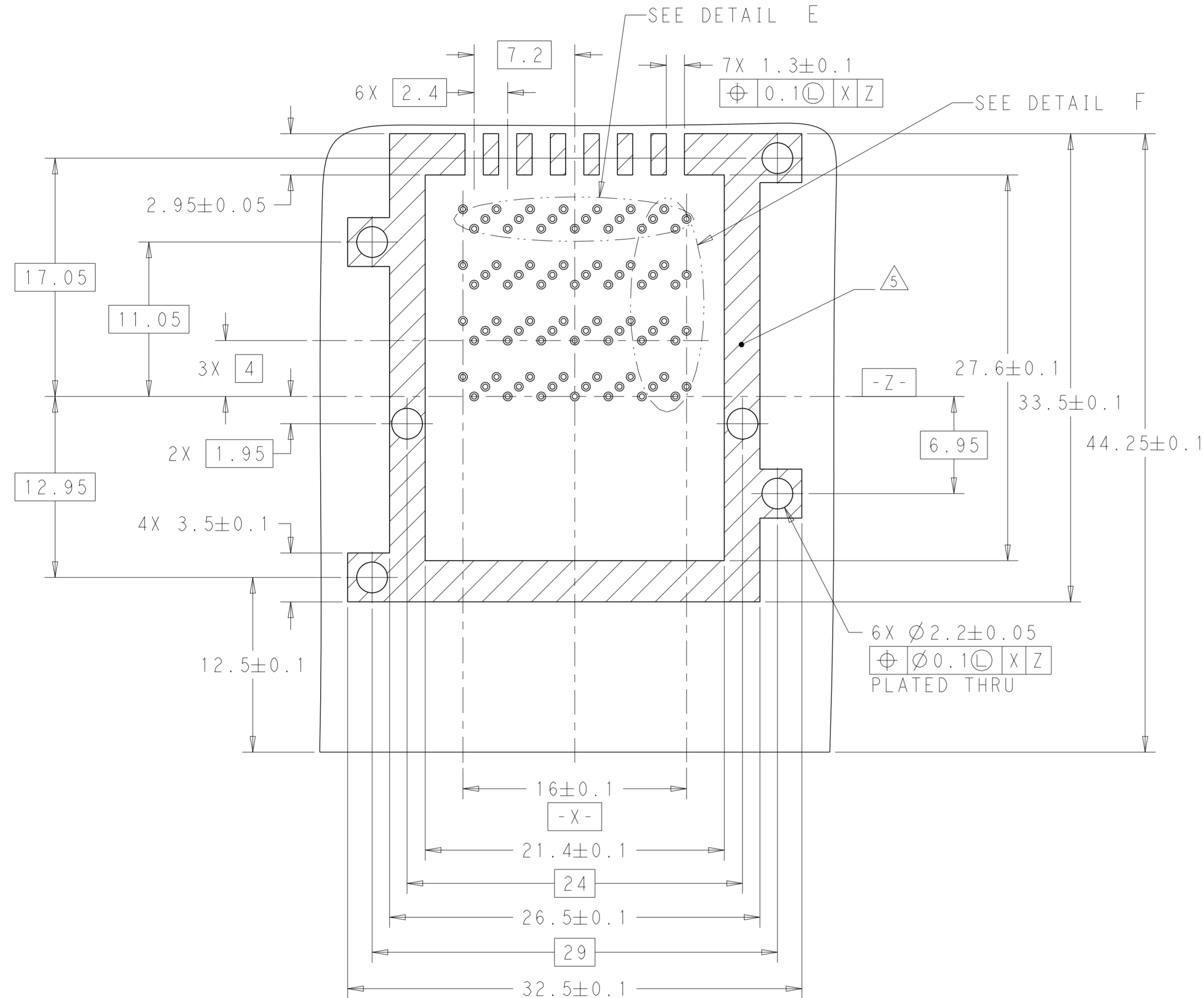


12.57+A	0.22+A	PCB THICKNESS
C	B	A

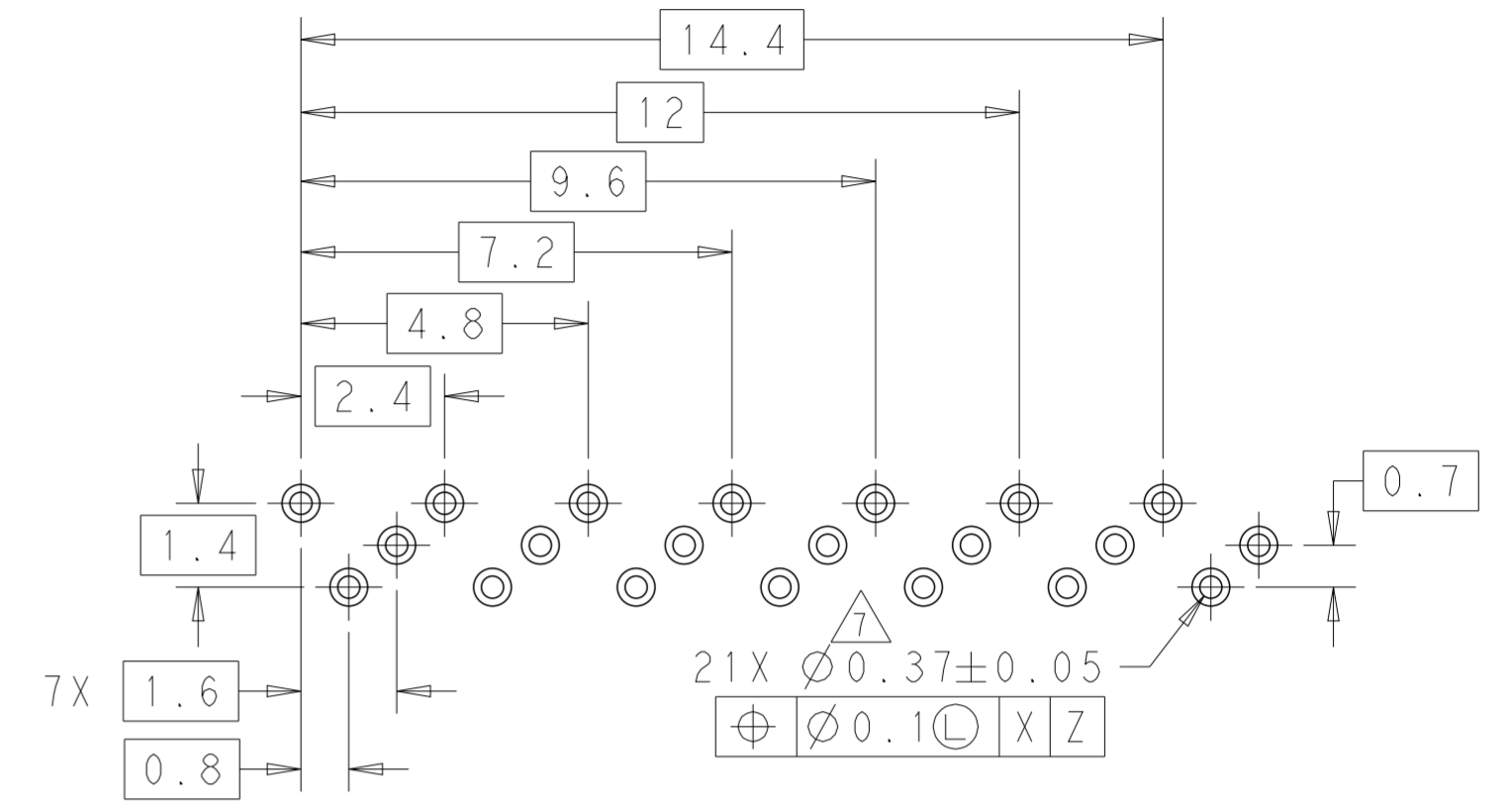
THIS DRAWING IS A CONTROLLED DOCUMENT. DIMENSIONING AND TOLERANCING PER ASME Y14.5M-2009		DWN M. E. COWHER 27SEP2010	TE Connectivity	
DIMENSIONS: mm		CHK M. D. MORRISON 28SEP2010		
TOLERANCES UNLESS OTHERWISE SPECIFIED:		APVD M. D. MORRISON 28SEP2010	NAME RECEPTACLE ASSEMBLY, BELLY-BELLY, STANDARD, 84 POSITION, CXP	
0 PLC ±0.15	1 PLC ±0.15	PRODUCT SPEC 108-2426	SIZE A200779	DRAWING NO C-2149701
2 PLC ±0.15	3 PLC ±	APPLICATION SPEC 114-13283	RESTRICTED TO	
4 PLC ±	ANGLES ±1°	WEIGHT	SCALE 1:1	SHEET 3 OF 4
MATERIAL	FINISH	Customer Drawing	REV A	

THIS DRAWING IS UNPUBLISHED. RELEASED FOR PUBLICATION 20
 © COPYRIGHT 20 BY - ALL RIGHTS RESERVED.

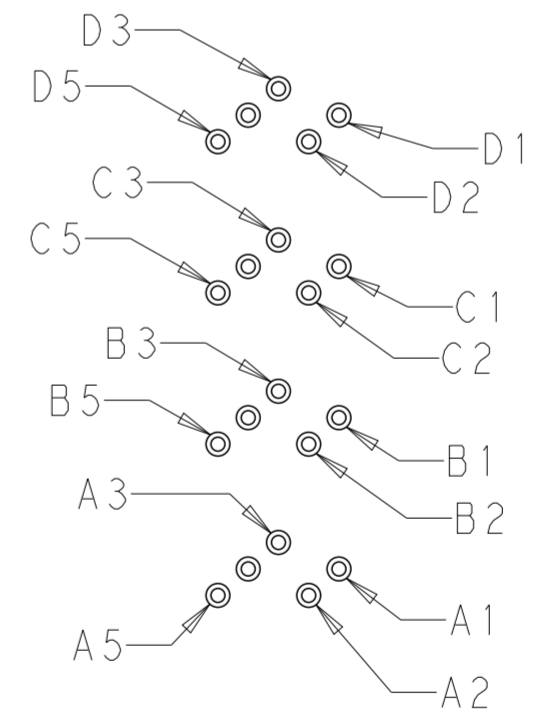
REVISIONS				
P	LTR	DESCRIPTION	DATE	APVD
-	-	SEE SHEET 1	-	-



RECOMMENDED PCB LAYOUT
 COMPONENT SIDE SHOWN
 SCALE 4:1



DETAIL E
 4X INDIVIDUALLY
 SCALE 8:1



DETAIL F
 PIN CALLOUT (TYPICAL)
 SCALE 5:1

THIS DRAWING IS A CONTROLLED DOCUMENT. DIMENSIONING AND TOLERANCING PER ASME Y14.5M-2009		DWN M.E. COWHER 27SEP2010	TE Connectivity	
DIMENSIONS: mm		CHK M.D. MORRISON 28SEP2010		
TOLERANCES UNLESS OTHERWISE SPECIFIED:		APVD M.D. MORRISON 28SEP2010	NAME RECEPTACLE ASSEMBLY, BELLY-BELLY, STANDARD, 84 POSITION, CXP	
0 PLC ±0.15		PRODUCT SPEC 108-2426	SIZE A2	
1 PLC ±0.15		APPLICATION SPEC 114-13283	CAGE CODE 00779	DRAWING NO C-2149701
2 PLC ±0.15		WEIGHT -	RESTRICTED TO -	
3 PLC ±		Customer Drawing	SCALE 1:1	SHEET 4 OF 4
4 PLC ±				REV A
ANGLES ±1°				
FINISH				