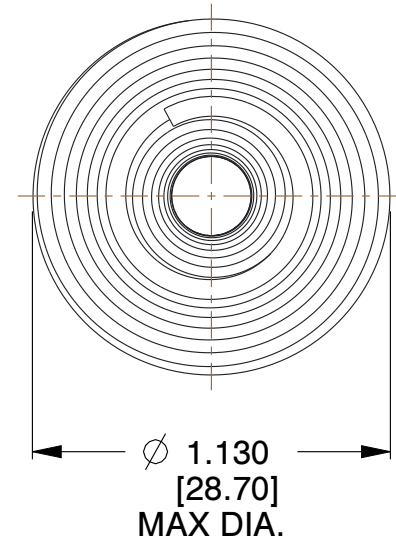
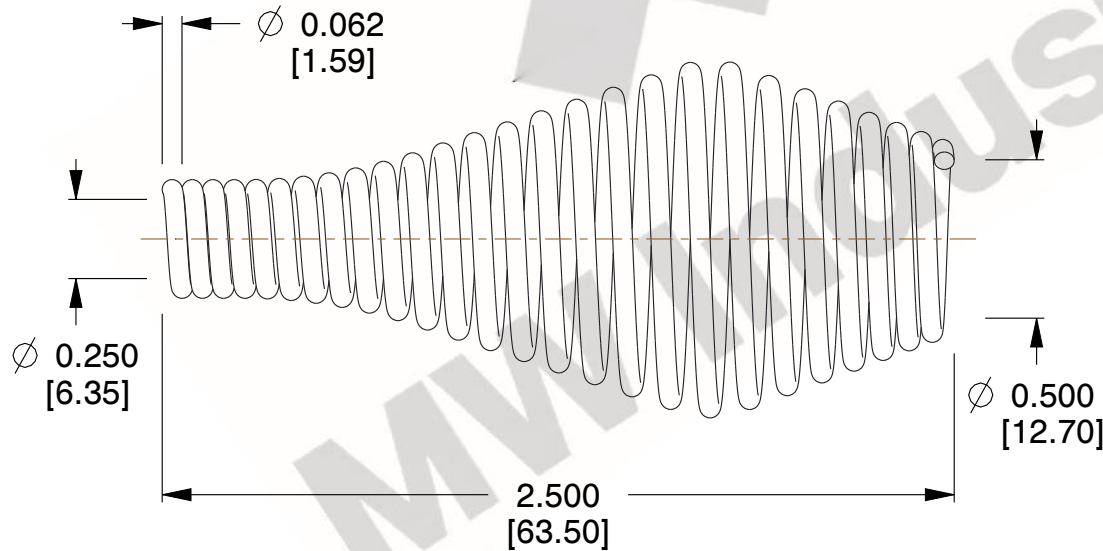
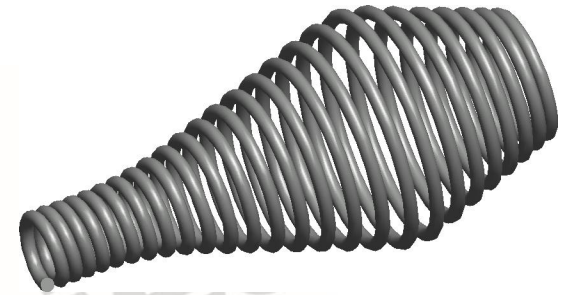


**NOTES:**

1. Finish : Gold Iridite
2. Material : High carbon C-1075
3. All Drawing Dimensions are in Inches [mm]



COMPONENT		STOVE HANDLES	
<b>SH-40C</b>		UNIT	
		INCH [mm]	
STOVE HANDLES		SHEET	
		1 of 1	