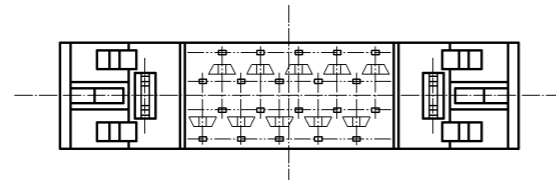
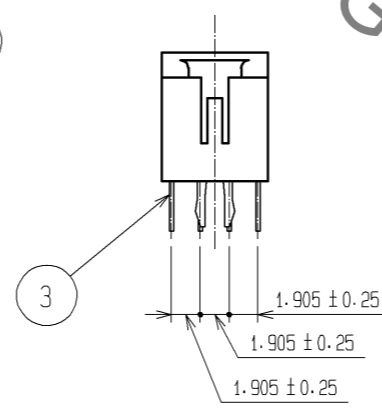
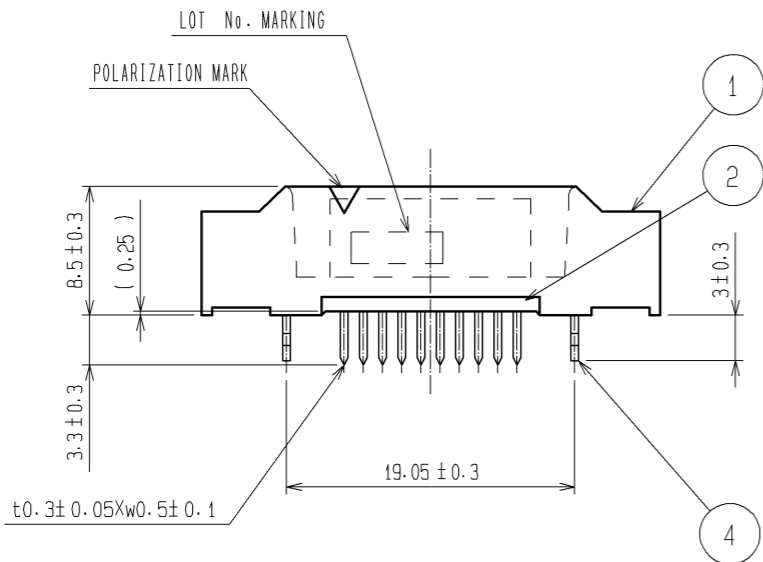
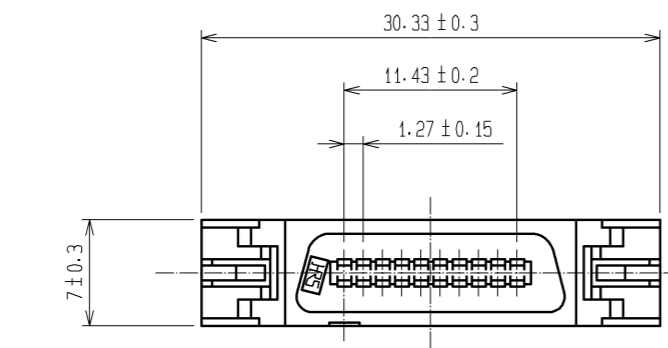
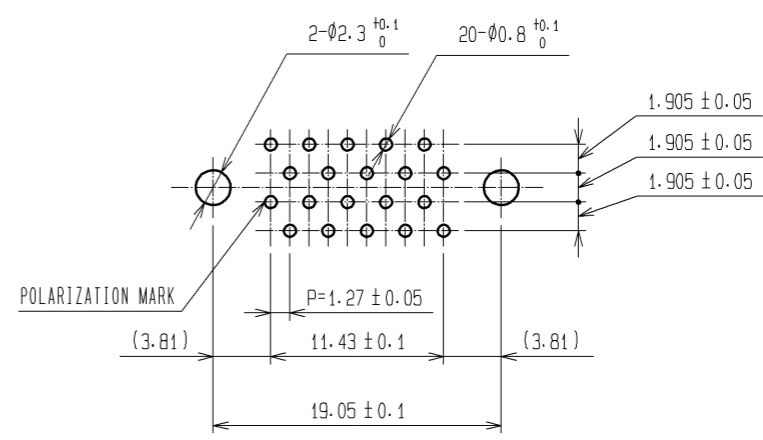


May.1.2023 Copyright 2023 HIROSE ELECTRIC CO., LTD. All Rights Reserved.
In case of consideration for using Automotive equipment / device which demand high reliability, kindly contact our sales window correspondents.



RECOMMENDED PC BOARD HOLE PATTERN(MOUNTING SIDE)



HRS DRAWING FOR REFERENCE

NOTE THE DIMENSIONS IN PARENTHESES ARE FOR REFERENCE.

4	PHOSPHOR BRONZE	TIN-PLATING							CONTACT AREA:GOLD 0.2 μm min.	
1,2	POLYAMIDE	BLACK UL94V-0		3	PHOSPHOR BRONZE				DIP AREA:TIN-PLATING 2μm min.	
									UNDER PLATING:NICKEL 2μm min.	
NO.	MATERIAL	FINISH .	REMARKS	NO.	MATERIAL	FINISH .	REMARKS			
UNITS	mm	SCALE	2 : 1	COUNT	DESCRIPTION OF REVISIONS			DESIGNED	CHECKED	DATE
HIROSE ELECTRIC CO., LTD.		APPROVED :	HS. OKAWA	08.07.16	DRAWING NO.			EDC3-083532-21		
		CHECED :	HT. YAMAGUCHI	08.07.16	PART NO.			FX2B-20P-1.27DSAL(71)		
		DESIGNED :	KN. SHIBUYA	08.07.15	CODE NO.			CL572-0851-2-71		
		DRAWN :	AH. EDASHIGE	08.06.17						