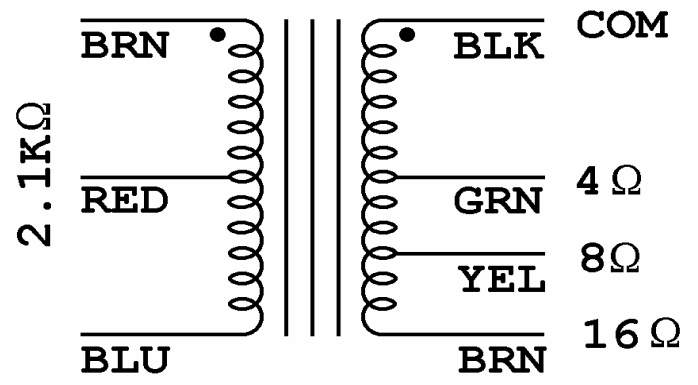
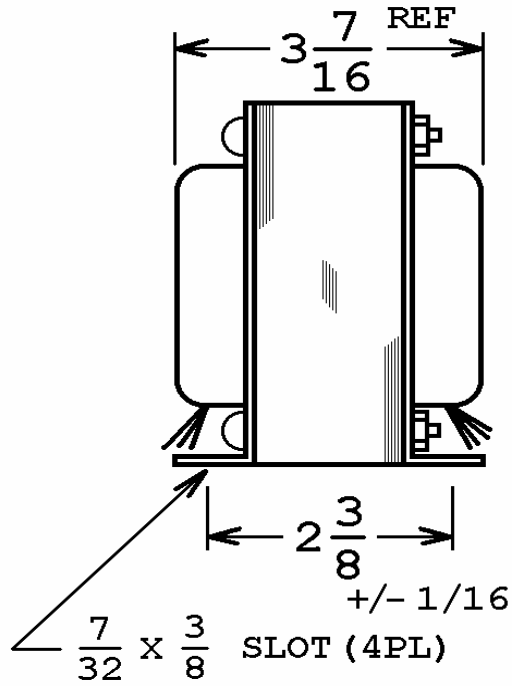
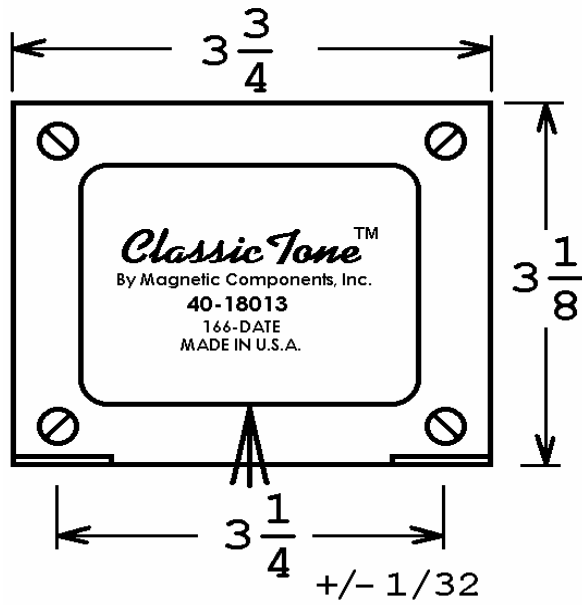


40-18013

This drawing is the property of Magnetic Components, Inc. and shall not be reproduced, in whole or in part, without the written permission of Magnetic Components, Inc.

REVISIONS			
LTR	DESCRIPTION	DATE	APPROVED
A	ADD PRIMARY IMPEDANCE	09/02/09	M.S.
B	ADD ClassicTone	01/07/10	M.S.



UNLESS OTHERWISE SPECIFIED		SIGNATURES		DATE		MAGNETIC COMPONENTS, INC.		DIV : LOC : SCHILLER PK	
ALL DIMENSIONS IN INCHES DO NOT SCALE DRAWING		DRAWN : <i>[Signature]</i>		07 AUG 09		TITLE 100W OUTPUT			
		CHECK :							
FRACTIONS +/-		APPR : <i>[Signature]</i>		07 AUG 09		CAGE 50508		SIZE PART No.	
.X = +/-						A 40-18013		REV	
.XX = +/-								B	
.XXX = +/-									
ANGLES = +/-									
						SCALE NONE		SHEET :	