



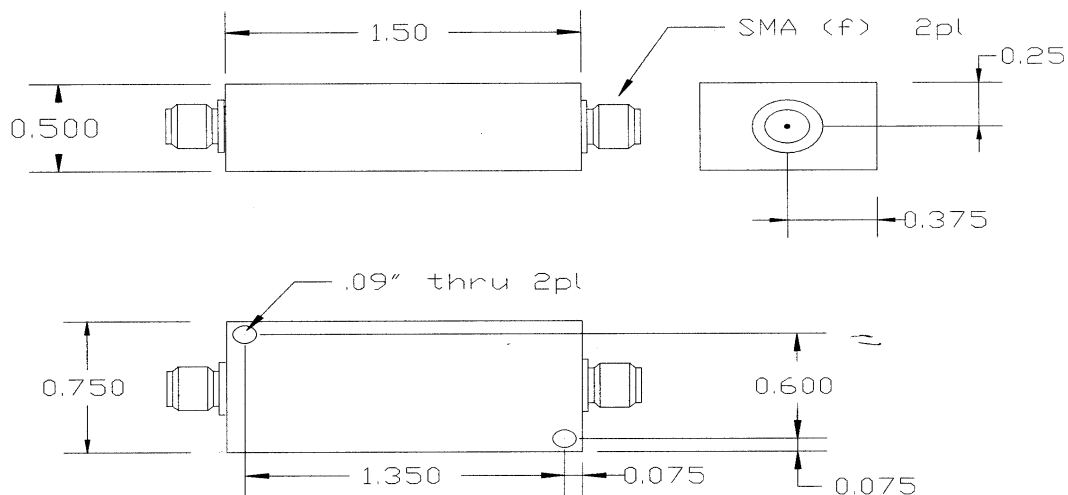
184 MHz Bandpass Filter

Part Number: AE184B6438

Specifications:

- Center Frequency: 184 MHz
- Insertion Loss @ 175-182 MHz : <1dB
- Return Loss Passband >14dB
- Rejection >40dB @ 0-70 MHz
 - >20dB @ 120 MHz
 - >20dB @ 250 MHz
 - >40dB @ 350-1300 MHz

Outline Drawing:



DWG 986420 ajs 1/99
Outline Drawing
Anatech Electronics Inc.