

REV.	EC #	REVISION DESCRIPTION	DATE	D.ENG.	CHECKER
001	6530	RELEASE TO PRODUCTION	12-Jul-04	JLL	DW
002	6562	REPLACE 126-00-1936 WITH 126-00-1979, REPLACE 705-00-0157 WITH 705-00-0192, REPLACE 118-00-4056 WITH 118-00-4795, CHANGE QUANTITY OF ITEM 3 FROM 4 TO 6	16-Dec-04	JLL	CPP
003	6698	REPLACE 705-00-0192 WITH 705-00-0199	08-Apr-05	JLL	DTM
004	6761	REPLACE 126-00-1979 WITH 126-00-1936, REPLACE 118-00-4795 WITH 118-00-4056, CHANGE QUANTITY OF ITEM 3 FROM 6 TO 4	18-Jul-05	JLL	DW
005	7110	RoHS UNIT	25-Jul-06	DTM	DW
006	9746	600-05-0016 ,600-15-0949 & 600-15-0950 ADDED TO BOM	18-Jan-16	JLL	DTM

ITEM	QTY	PART NUMBER	DESCRIPTION
8	1	R4E180-AS15-10	115V 180 mm BLOWER
7	1	705-00-0199	NEOPRENE GASKET
6	1	605-50-2591	EE1G-115-180-04 ID LABEL
5	4	305-54-0001	M6 SPLIT-LOCK WASHER
4	4	300-54-0005	M6 X 10 HEX CAP SCREW
3	4	300-14-0051	#8 SHEET METAL SCREW W/ FLANGE
2	1	126-00-1936	FLANGE WELD ASSEMBLY
1	1	118-00-4056	MOTOR MOUNTING PLATE

ebmpapst Inc. DISCLOSURE THIS DOCUMENT IS THE PROPERTY OF ebmpapst Inc. ITS USE IS AUTHORIZED BY ebmpapst Inc. ONLY. ALL QUESTIONS MUST BE REFERRED TO ebmpapst Inc. PERSONNEL: DESIGN ENG., MFG.ENG., AND / OR PURCHASING. CAUTION: ANY PRINTED COPY IS UNCONTROLLED AND TO BE USED FOR REFERENCE ONLY. REFER TO ebmpapst Inc. CAD SYS. FOR VERIFICATION. Form No. 1073 Rev. H		MATERIAL: N/A FINISH: N/A IF APPLICABLE PLACE SECOND FINISH AND DESCRIPTION HERE ALL INNER BEND RADIUS = 1mm BOTTOM BEND UNLESS OTHERWISE STATED TOLERANCES, UNLESS OTHERWISE STATED: DECIMAL .XXX ± .020 HOLES .XXX ± .003 TOLERANCES FOR CNC FLAT .XXX TOLERANCE .XX ± .030 ANGLES ± 1° REF EXCLUDING HOLE DIA. +/- .010	BEND DEDUCTION N/A COSMETICS PER ebmpapst SPEC-0-1 SEE CAD FOR DIMS. NOT SHOWN BREAK ALL SHARP EDGES ALL DIMENSIONS ARE IN INCHES	PART NO. EE1G-115-180-04 TITLE 115V 460CFM 16µF FIRST USED ON EE1G-115-180-02 DESIGN ENG. JLL ORIG. DATE 10-Mar-03 E# 1544	ebmpapst REVISION 006 SHEET 1 of 2
--	--	---	--	---	--

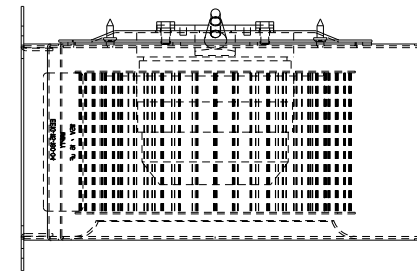
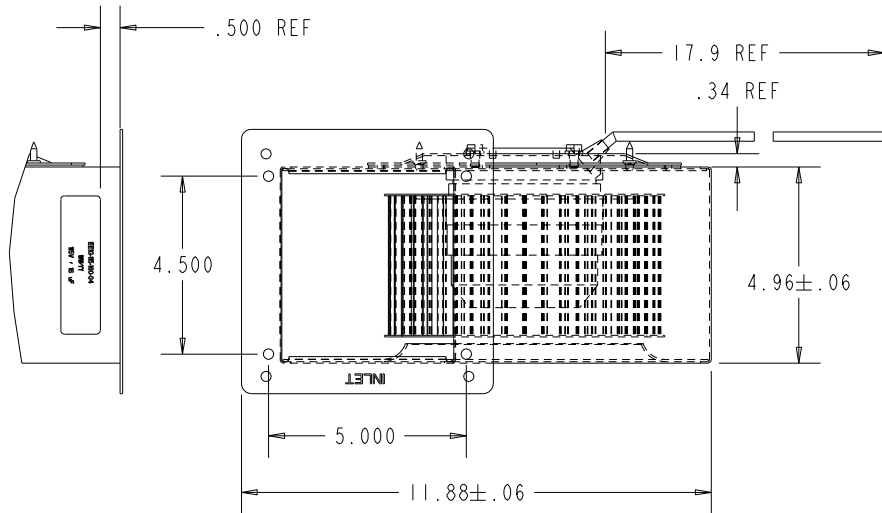
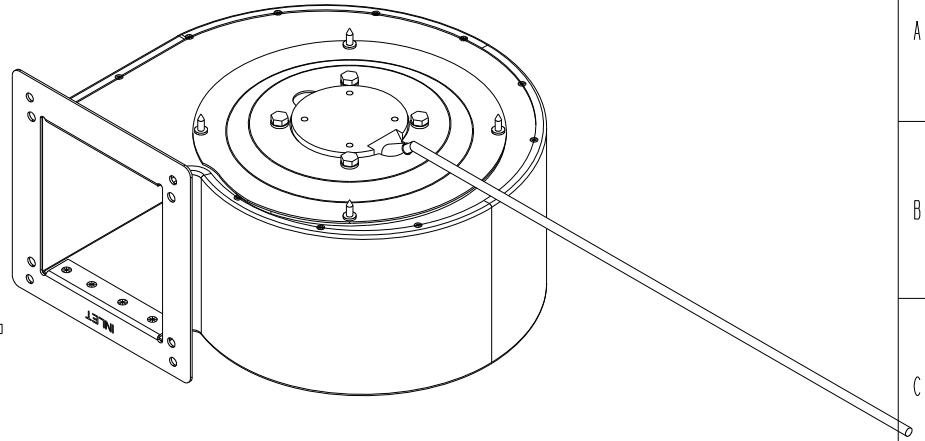
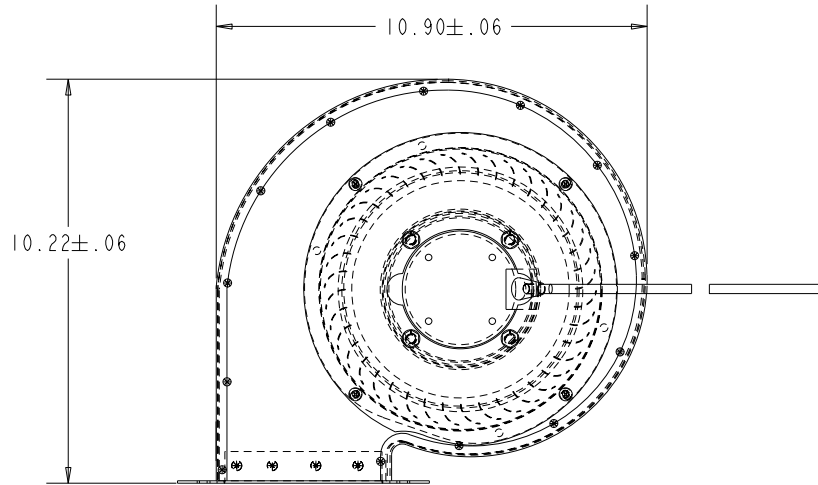
ebm-papst MFG. NOTES

1 N/A

ebm-papst MFG. NOTES

SEE SHEET 1 FOR REVISION HISTORY

1 | N/A



<p>ebm-papst Inc. DISCLOSURE</p> <p>THIS DOCUMENT IS THE PROPERTY OF ebm-papst Inc. ITS USE IS AUTHORIZED BY ebm-papst Inc. ONLY. ALL QUESTIONS MUST BE REFERRED TO ebm-papst Inc. PERSONNEL: DESIGN ENG., MFG.ENG., AND / OR PURCHASING.</p> <p>CAUTION: ANY PRINTED COPY IS UNCONTROLLED AND TO BE USED FOR REFERENCE ONLY. REFER TO ebm-papst Inc. CAD SYS. FOR VERIFICATION.</p> <p>Form No. 1073 Rev. H</p>		<p>MATERIAL: N/A</p> <p>FINISH: SEE SHEET 1</p> <p>IF APPLICABLE, ENTER SECOND FINISH AND DESCRIPTION HERE</p> <p>ALL INNER BEND RADII = 1mm BOTTOM BEND UNLESS OTHERWISE STATED</p> <p>TOLERANCES, UNLESS OTHERWISE STATED:</p> <p>DECIMAL .XXX ± .020 HOLES .XXX ± .003 TOLERANCES FOR CMC FLAT .XXX EXCLUDING HOLE DIA. +/- .010</p> <p>TOLERANCE .XX ± .030 ANGLES ± 1° REF</p>	<p>BEND DEDUCTION N/A</p> <p>COSMETICS PER ebm-papst SPEC-Q-1</p> <p>SEE CAD FOR DIMS. NOT SHOWN</p> <p>BREAK ALL SHARP EDGES</p> <p>ALL DIMENSIONS ARE IN INCHES</p>	<p>PART NO. EEIG-115-180-04</p> <p>TITLE 115V 460CFM 16µF</p> <p>FIRST USED ON EEIG-115-180-02</p> <p>DESIGN ENG. JLL</p> <p>ORIG. DATE 24-Feb-04</p> <p>E# 1544</p>	<p>ebmpapst</p> <p>REVISION 006 SHEET 2 of 2</p>
---	--	---	---	--	---