

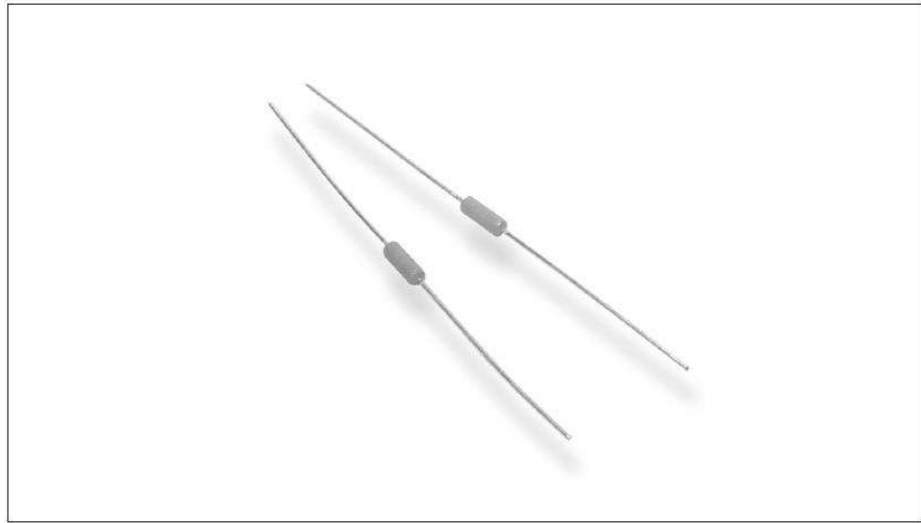
Type ZR Series

Key Features

Suited to
Automatic
Insertion

Withstand to
500 Volts

Available in
Two Case Sizes



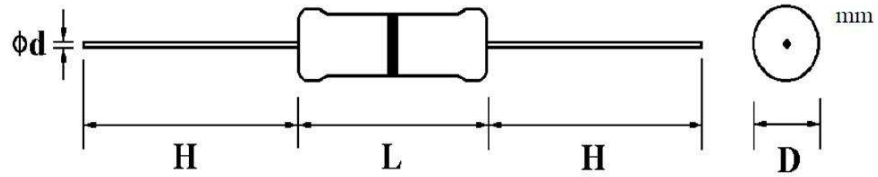
The TE Connectivity Series of Zerohm links are available in two standard case sizes. No end caps are used for the steel element, terminations are welded directly on to the steel slug. This manufacturing process allows for very low resistance values to be achieved. The slugs are then finished by applying three coats of beige epoxy resin.

Characteristics – Electrical

Requirements		Characteristics
Power Rating	ZR0204	0.125W
	ZR0207	0.25W
Maximum Resistance		Steel rod : 0.01Ω Max.
Lead Material		Tin-plated copper
Body Material		Electrical grade, high performance molding compound
Insulation Resistance		Dry-10,000MΩ ; Wet-100 MΩ
Dielectric-Withstanding Voltage		Atmospheric-500V RMS., Reduced - 325 V RMS
Insulation Flammability		Resistor Insulation is self-extinguishing within 10 seconds after externally applied flame is removed
Current Rating		25 A at 25 °C derating to 0 Amps at 150 °C

Dimensions and Construction:

Dimensions



Dimensions mm

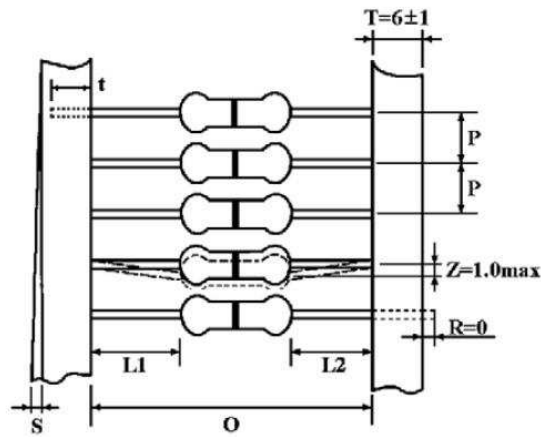
Part	Power Rating	D Max.	L Max.	H ±3	D ±0.05
ZR0204T	0.125W	1.85	3.5	28	0.45
ZR0207T	0.25W	2.5	6.8	28	0.54

Construction

Sub part name	Material	Material Generic
Body Basic	Steel Core	Tin Plated iron
Lead	Annealed copper wire	Tin-Coated Copper wire
Coating	Insulated resin (Color : Beige)	Epoxy paint

Packing Specification

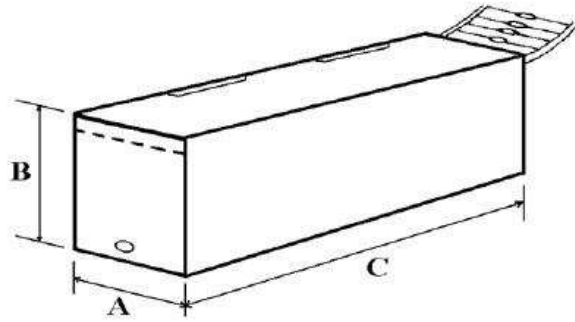
Taping:



Dimensions mm:

Size	Style	O	P	L1 - L2	T	Z	R	t	S
0204	PT-52	52±1	5±0.3	1 Max	6±1	1 Max	0	4±1	0.5 Max
0207	PT-52	52±1	5±0.3	1 Max	6±1	1 Max	0	4±1	0.5 Max

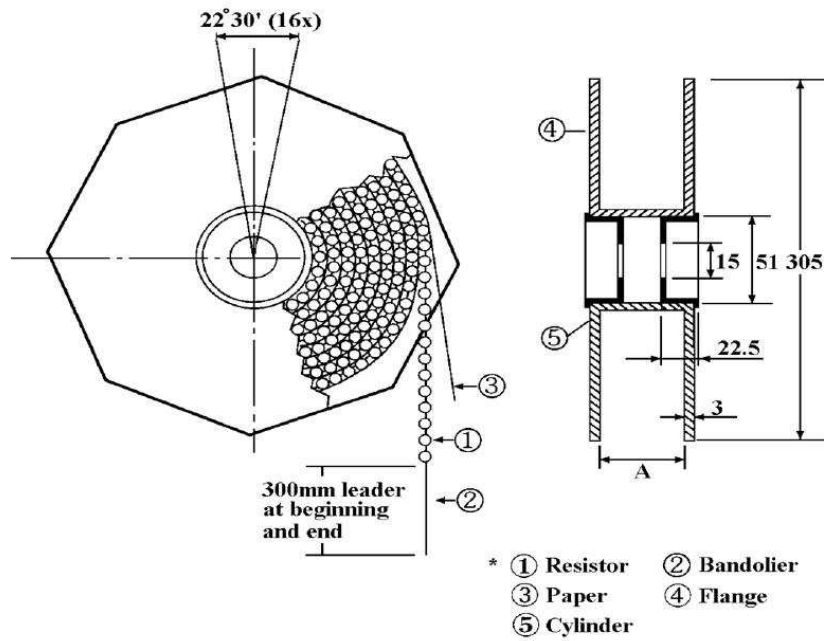
Tape in Box



Dimensions mm

Type	Tape Style	A ±5	B ±5	C ±5	Qty. / Box
ZR0204T	PT-52	75	66	250	5000
ZR0207T	PT-52	75	96	250	4000

Tape On Reel



Dimensions mm

Type	Tape Style	Across Flange (A)	Qty. / Reel
ZR0204TRL	PT-52	73 ±2	5000
ZR0207TRL	PT-52	73 ±2	4000

Environment Related Substance

This product complies to EU RoHS directive, EU PAHs directive, EU PFOS directive and Halogen free.

Ozone depleting substances are not used in our manufacturing process of this product.

This product is not manufactured using Chloro fluorocarbons (CFCs), Hydrochlorofluorocarbons (HCFCs), Hydrobromofluorocarbons (HBFCs) or other ozone depleting substances in any phase of the manufacturing process.

Storage Condition (MSL1)

The performance of these products, including the solderability, is guaranteed for a year from the date of arrival at your company, provided that they remain packed as they were when delivered and stored at a temperature of 25°C ± 10°C and a relative humidity of 60%RH ± 10%RH, chemical and dust free atmosphere

Even within the above guarantee periods, do not store these products in the following conditions otherwise, their electrical performance and/or solderability may be deteriorated, and the packaging materials (e.g. taping materials) may be deformed or deteriorated, resulting in mounting failures.

1. In salty air or in air with a high concentration of corrosive gas, such as Cl2, H2S, NH3, SO2, or NO2
2. In direct sunlight

How To Order

ZR	0204	T	
Common Part	Power Rating	Element	Packaging
ZR	0204 – 0.125W 0207 – 0.25W	T - Steel	Blank – Box RL - Reel