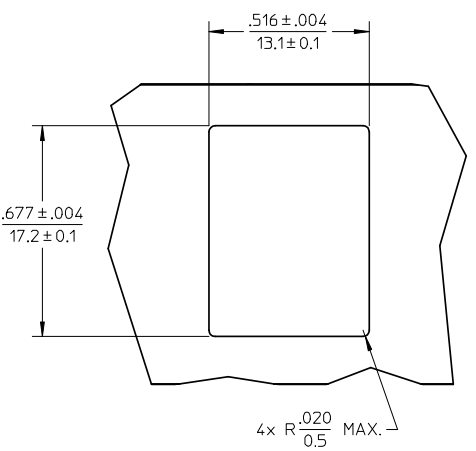
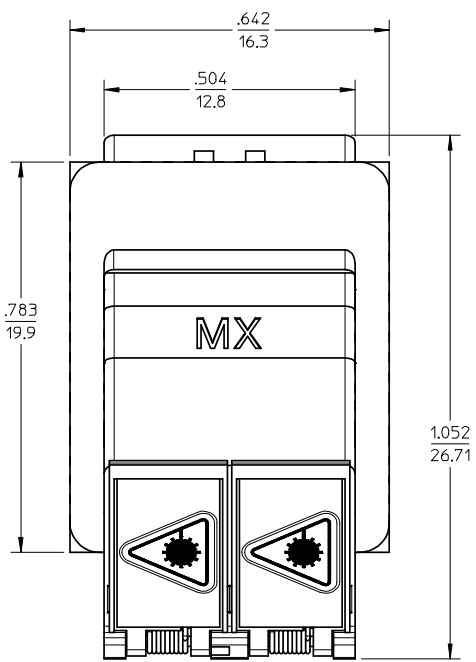
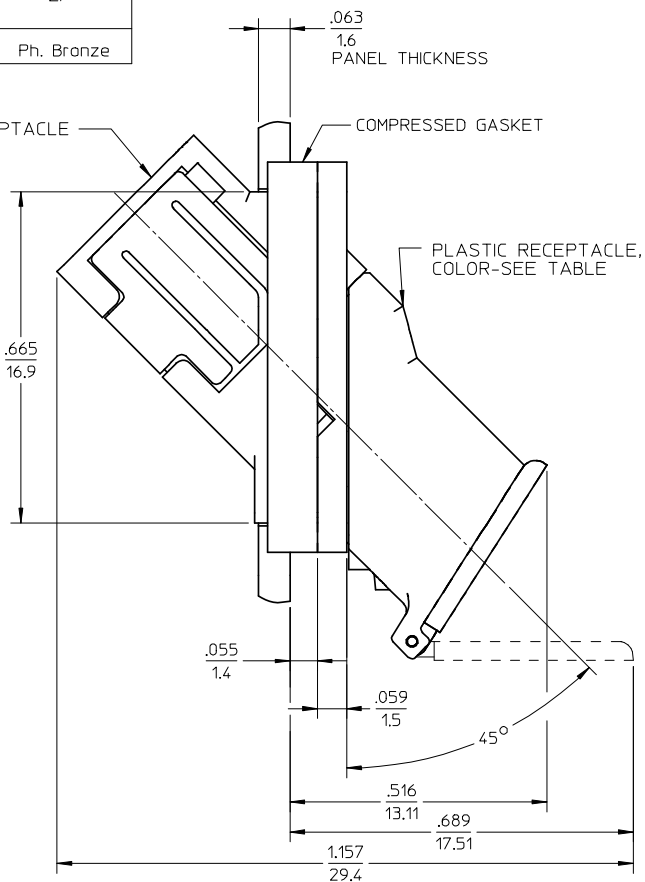
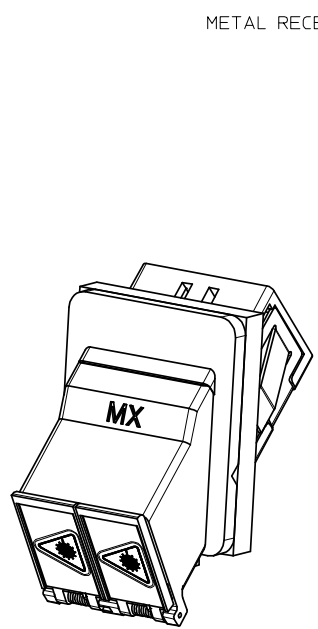


ADAPTER P/N	PLASTIC RECEPTACLE COLOR	SPLIT SLEEVE MATERIAL
106115-4100	BLUE	Zr
106115-6100	GREEN	
106115-4107	BLUE	Ph. Bronze



RECOMMENDED MOUNTING PATTERN  
SCALE 2.5:1  
FOR .063 THICK PANEL  
1.6

- NOTES:
1. DIMENSIONS SHOWN ARE FOR REFERENCE ONLY.
  2. CONDUCTIVE FABRIC OVER FOAM GASKET (SHOWN COMPRESSED) IS SUPPLIED WITH THE PART.
  3. LC DUPLEX WASH CAP NOT SHOWN.
  4. ADAPTERS TO BE PACKAGED IN TRAY.

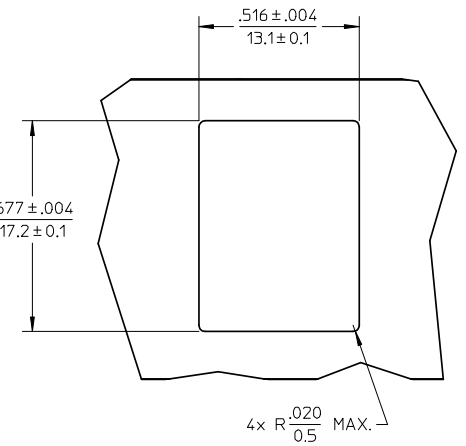
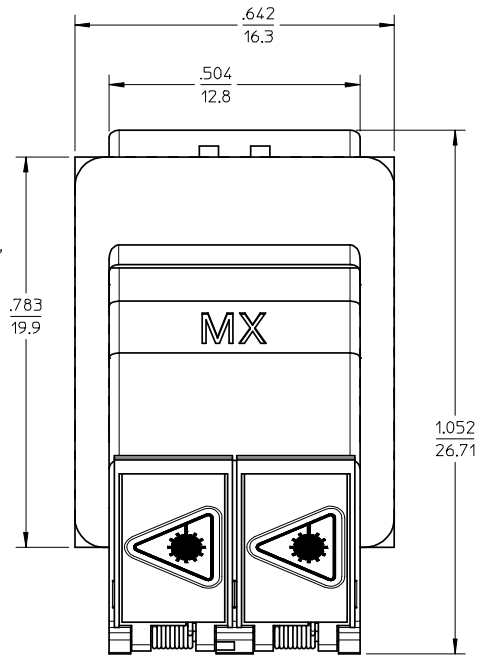
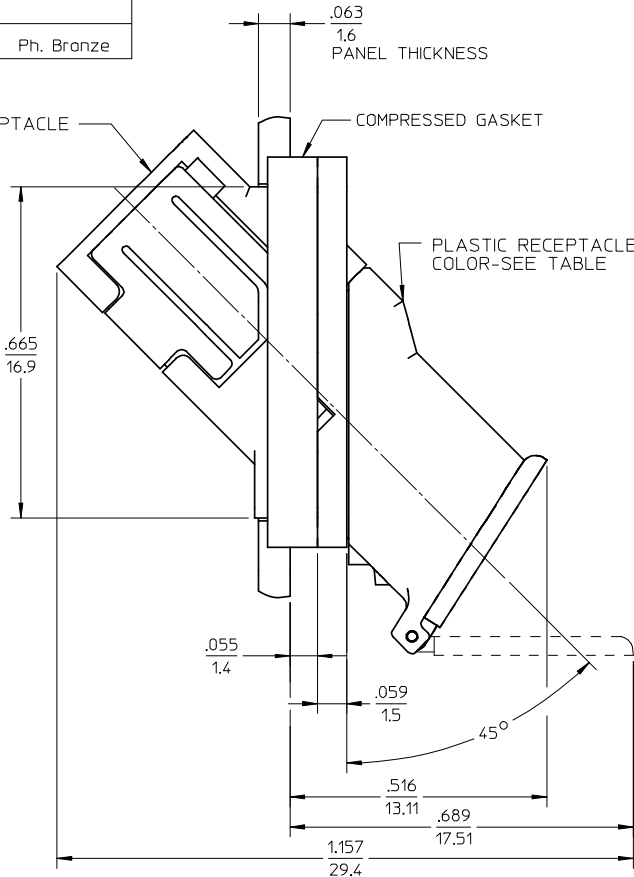
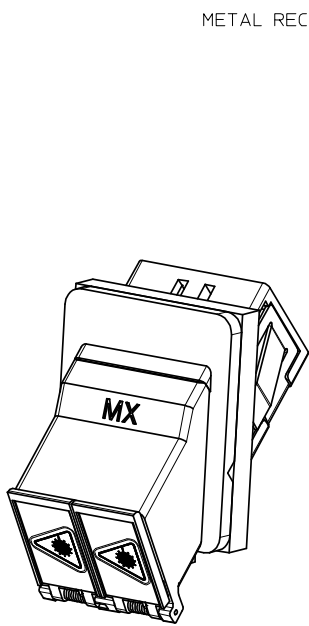
ENTER DESCRIPTION	QUALITY SYMBOLS
EC NO: WF2008-0344	▽=0
DRW:MKPEVZNER 2008/02/22	▽=0
CHKD: 2008/02/22	
APPR: LGUMIN 2008/02/27	
REV	DESCRIPTION
A1	

GENERAL TOLERANCES (UNLESS SPECIFIED)	mm	INCH
	4 PLACES ± ---	± ---
	3 PLACES ± ---	± ---
	2 PLACES ± ---	± ---
	1 PLACE ± ---	± ---
ANGULAR ±1/2°		
DRAFT WHERE APPLICABLE MUST REMAIN WITHIN DIMENSIONS		

DIMENSION STYLE	
IN/MM	
DRAWN BY	DATE
PGIBLIN	2005/12/09
CHECKED BY	DATE
APPROVED BY	DATE
MATERIAL NO.	SEE TABLE
SIZE	B

SCALE	4:1	DESIGN UNITS	INCH	THIRD ANGLE PROJECTION
TITLE				
LC-D EMI ADAPTER, 45 DEGREE (SNAP MOUNT)				
molex MOLEX INCORPORATED				
DOCUMENT NO.	SD-106115-Y10Y	SHEET NO.	1 OF 1	
THIS DRAWING CONTAINS INFORMATION THAT IS PROPRIETARY TO MOLEX INCORPORATED AND SHOULD NOT BE USED WITHOUT WRITTEN PERMISSION				

ADAPTER P/N	PLASTIC RECEPTACLE COLOR	SPLIT SLEEVE MATERIAL
106115-4100	BLUE	Zr
106115-6100	GREEN	
106115-4107	BLUE	Ph. Bronze



RECOMMENDED MOUNTING PATTERN  
SCALE 2.5:1  
FOR .063 THICK PANEL  
1.6

- NOTES:
1. DIMENSIONS SHOWN ARE FOR REFERENCE ONLY.
  2. CONDUCTIVE FABRIC OVER FOAM GASKET (SHOWN COMPRESSED) IS SUPPLIED WITH THE PART.
  3. LC DUPLEX WASH CAP NOT SHOWN.
  4. ADAPTERS TO BE PACKAGED IN TRAY.

ENTER DESCRIPTION	QUALITY SYMBOLS
EC NO: WF2008-0344	▽=0
DRW:MKPEVZNER 2008/02/22	▽=0
CHKD: 2008/02/22	
APPR: LGUMIN 2008/02/27	
REV	DESCRIPTION
A1	

GENERAL TOLERANCES (UNLESS SPECIFIED)	
4 PLACES	± --- ± ---
3 PLACES	± --- ± ---
2 PLACES	± --- ± ---
1 PLACE	± --- ± ---
ANGULAR ±1/2°	
DRAFT WHERE APPLICABLE MUST REMAIN WITHIN DIMENSIONS	

DIMENSION STYLE	
IN/MM	
DRAWN BY	DATE
PGIBLIN	2005/12/09
CHECKED BY	DATE
APPROVED BY	DATE
MATERIAL NO.	SEE TABLE
SIZE	B

SCALE	4:1	DESIGN UNITS	INCH	THIRD ANGLE PROJECTION
TITLE				
LC-D EMI ADAPTER, 45 DEGREE (SNAP MOUNT)				
molex MOLEX INCORPORATED				
DOCUMENT NO.	SD-106115-Y10Y	SHEET NO.	1 OF 1	
THIS DRAWING CONTAINS INFORMATION THAT IS PROPRIETARY TO MOLEX INCORPORATED AND SHOULD NOT BE USED WITHOUT WRITTEN PERMISSION				