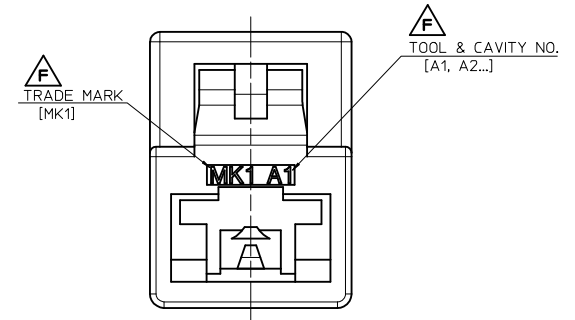
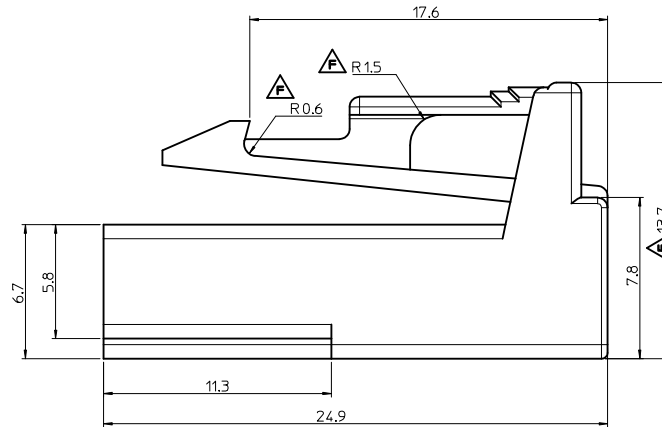
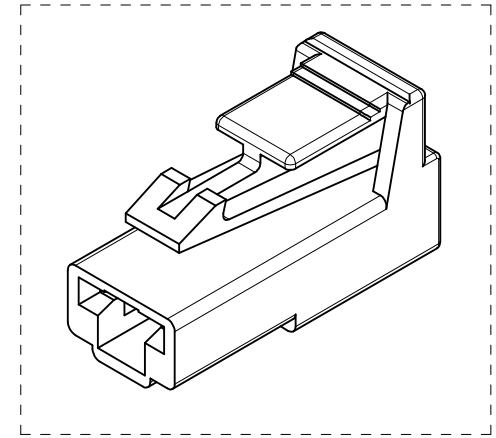


NOTES.

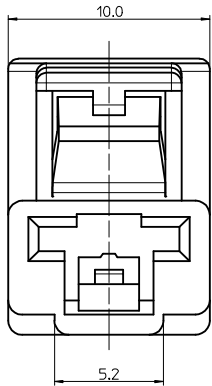
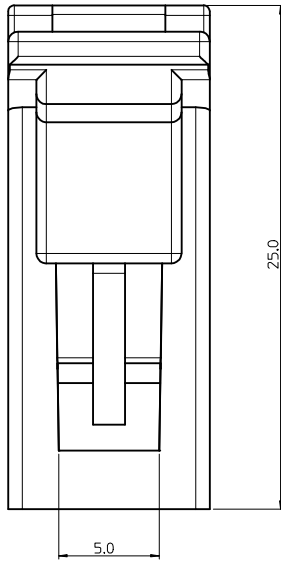
1. MATERIALS: SEE TABLE
2. PRODUCT SPECIFICATION: PS-35955-001
3. PACKAGING SPECIFICATION: PK-35955-001
4. MATES WITH
 - MALE HOUSING : 35955-0150, 35955-0151
5. APPLICABLE CRIMPING TERMINAL : 35725-36*0, 35725-37*0, 35725-38*0
6. MOLEX LOGO & CAVITY NUMBER SHALL BE LOCATED AS SHOWN.

<TABLE>

PART NO.	MATERIAL NO.	MATERIALS	COLOR
35955-0160	359550160	PC/PET, UL94V-0, 0% GLASS FILL	NATURAL
35955-0161	359550161	PC/PET, UL94V-0, 0% GLASS FILL	BLACK



REVISED EC NO: KOR2015-0001 DRWN:SKCHO 2014/07/29 CHKD:SHCHU 2014/07/29 APPR:YSKIM02 2014/09/01	QUALITY SYMBOLS ▽=0 □=0	GENERAL TOLERANCES (UNLESS SPECIFIED)		DIMENSION STYLE MM ONLY	SCALE 4/1	DESIGN UNITS METRIC	THIRD ANGLE PROJECTION	
				DRAWN BY JS.KANG	DATE 1999/08/16	TITLE .250 WTW CONN. PLUG HOUSING -1P		
				CHECKED BY BK.CHOI	DATE 1999/08/16	molex		
				APPROVED BY CW.LEE	DATE 1999/08/16	MATERIAL NO. SEE TABLE	DOCUMENT NO. SD-35955-001	SHEET NO. 1 OF 1
		ANGULAR ± 1 °		THIS DRAWING CONTAINS INFORMATION THAT IS PROPRIETARY TO MOLEX INCORPORATED AND SHOULD NOT BE USED WITHOUT WRITTEN PERMISSION				
		DRAFT WHERE APPLICABLE MUST REMAIN WITHIN DIMENSIONS						

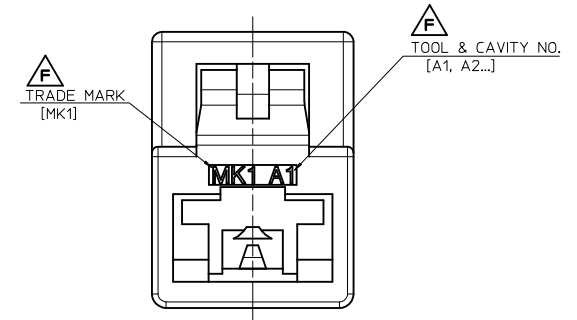
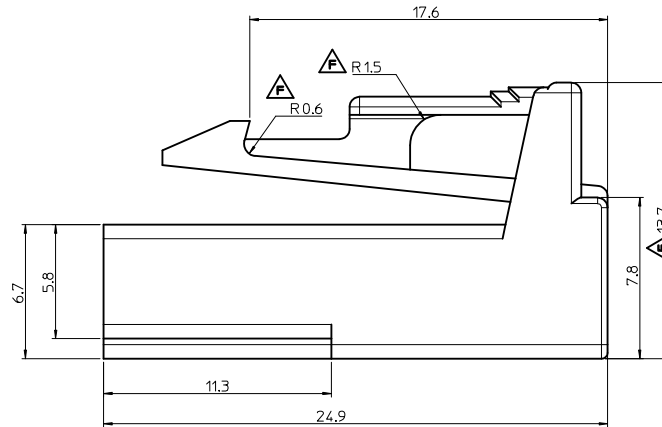
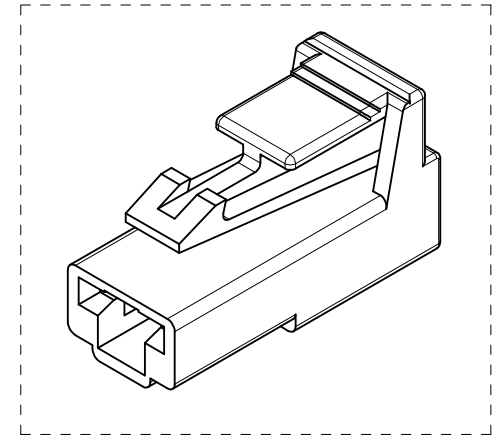


NOTES.

1. MATERIALS: SEE TABLE
2. PRODUCT SPECIFICATION: PS-35955-001
3. PACKAGING SPECIFICATION: PK-35955-001
4. MATES WITH
 - MALE HOUSING : 35955-0150, 35955-0151
5. APPLICABLE CRIMPING TERMINAL : 35725-36*0, 35725-37*0, 35725-38*0
6. MOLEX LOGO & CAVITY NUMBER SHALL BE LOCATED AS SHOWN.

<TABLE>

PART NO.	MATERIAL NO.	MATERIALS	COLOR
35955-0160	359550160	PC/PET, UL94V-0, 0% GLASS FILL	NATURAL
35955-0161	359550161	PC/PET, UL94V-0, 0% GLASS FILL	BLACK



REVISED EC NO: KOR2015-0001 DRWN:SKCHO 2014/07/29 CHKD:SHCHU 2014/07/29 APPR:YSKIM02 2014/09/01	DESCRIPTION REV	QUALITY SYMBOLS	GENERAL TOLERANCES (UNLESS SPECIFIED)	DIMENSION STYLE	SCALE	DESIGN UNITS	THIRD ANGLE PROJECTION																		
		$\nabla=0$ $\square=0$	<table border="1"> <thead> <tr> <th></th> <th>mm</th> <th>INCH</th> </tr> </thead> <tbody> <tr> <td>4 PLACES</td> <td>± ---</td> <td>± ---</td> </tr> <tr> <td>3 PLACES</td> <td>± ---</td> <td>± ---</td> </tr> <tr> <td>2 PLACES</td> <td>± 0.30</td> <td>± ---</td> </tr> <tr> <td>1 PLACE</td> <td>± 0.30</td> <td>± ---</td> </tr> <tr> <td>0 PLACE</td> <td>± ---</td> <td>± ---</td> </tr> </tbody> </table>		mm	INCH	4 PLACES	± ---	± ---	3 PLACES	± ---	± ---	2 PLACES	± 0.30	± ---	1 PLACE	± 0.30	± ---	0 PLACE	± ---	± ---	MM ONLY	4/1	METRIC	
			mm	INCH																					
		4 PLACES	± ---	± ---																					
3 PLACES	± ---	± ---																							
2 PLACES	± 0.30	± ---																							
1 PLACE	± 0.30	± ---																							
0 PLACE	± ---	± ---																							
	ANGULAR ± 1 °	DRAWN BY JS.KANG	DATE 1999/08/16	TITLE .250 WTW CONN. PLUG HOUSING -1P																					
	DRAFT WHERE APPLICABLE MUST REMAIN WITHIN DIMENSIONS	CHECKED BY BK.CHOI	DATE 1999/08/16	MATERIAL NO. SEE TABLE			DOCUMENT NO. SD-35955-001																		
				APPROVED BY CW.LEE	DATE 1999/08/16																				
				THIS DRAWING CONTAINS INFORMATION THAT IS PROPRIETARY TO MOLEX INCORPORATED AND SHOULD NOT BE USED WITHOUT WRITTEN PERMISSION			SHEET NO. 1 OF 1																		