



0-400 MHz Lowpass Filter

Part Number: AE400L9068



Electrical specifications

Cutoff Frequency (FC): 400 MHz
Passband: 0-400 MHz
Insertion loss @Passband: 0.3 dB Max
Return loss @Passband: 18 dB Min
Rejection @ 300-3000 MHz: 80 dB Min
Rejection @ 3000-5000 MHz: 70 dB Min

Power Handling: 100 W

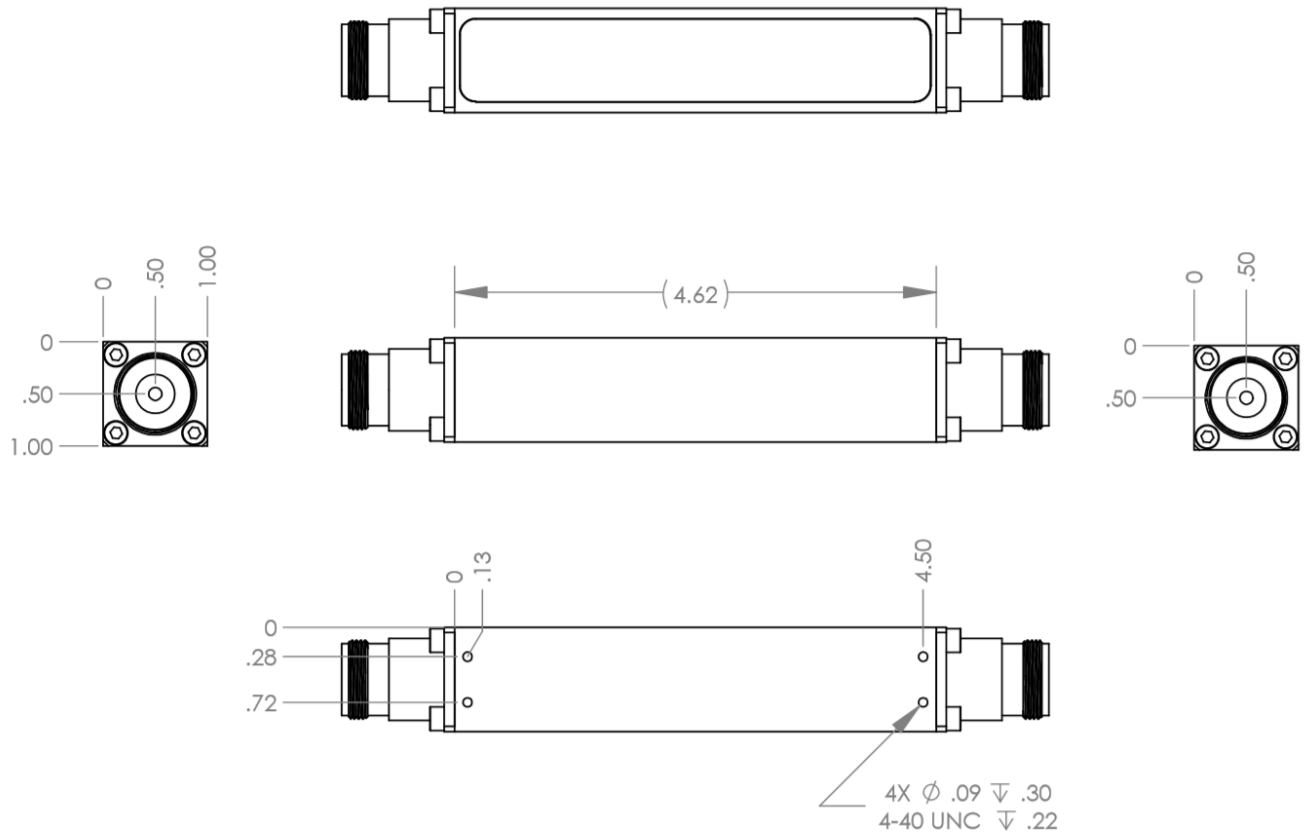
Mechanical

Mounting Method: N-Type (F)
Dimensions: 4.62 x 1.0 x 1.0 Inches

Operating Temperature: -40 to +70° C
Storage Temperature: -40 to +85° C

Rev A DS12022021-01

Outline Drawing:



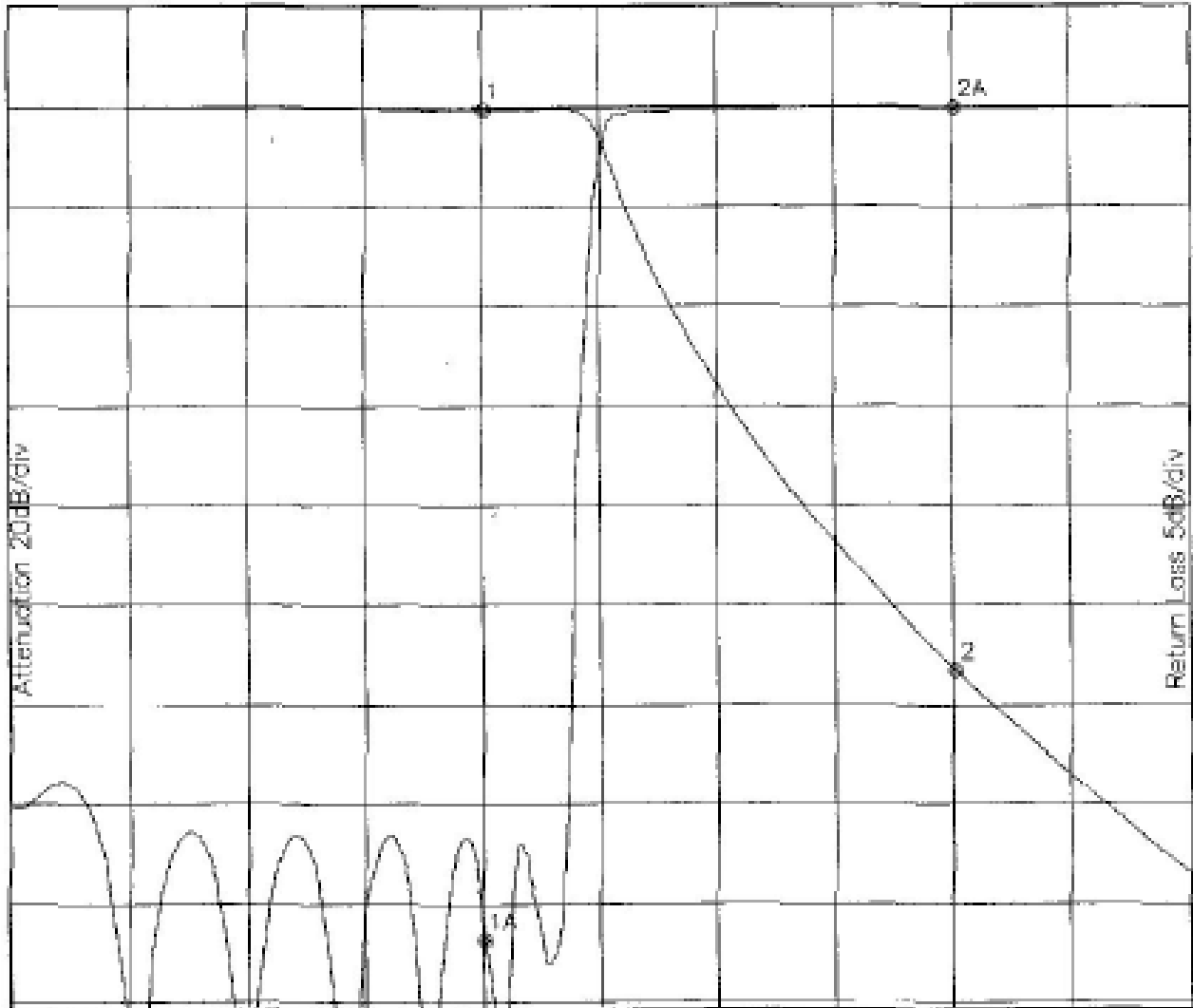


Response Plot

A3989 lod

MAY 13, 2009

Attenuation/Return Loss



Attenuation Start: 0.1GHz Stop: 1000.0MHz

Return Loss Start: 0.1GHz Stop: 1000.0MHz

Marker 1 Freq 400.64MHz Atten -0.298dB

Marker 1A Freq 400.64MHz Ret Loss -41.881dB

Marker 2 Freq 801.29MHz Atten -113.060dB

Marker 2A Freq 801.29MHz Ret Loss 0.000dB

** Shown is a simulated response plot, actual results may differ.*