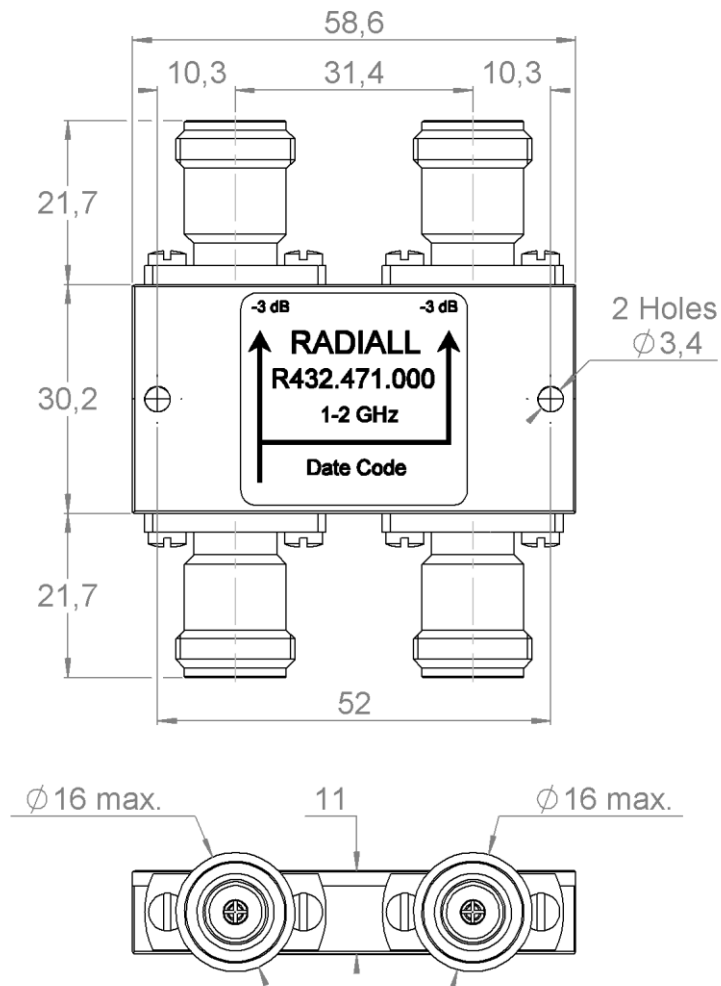


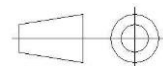
PAGE 1/2	ISSUE 13-09-18K	SERIES COUPLER	PART NUMBER R432471000
----------	-----------------	--------------------------	-------------------------------

Scale 1 : 1



All dimensions are in mm. Tolerances according ISO 2768 m-H

Weight Specification **129,2500** g



PAGE 2/2	ISSUE 13-09-18K	SERIES COUPLER	PART NUMBER R432471000
----------	-----------------	--------------------------	-------------------------------

ELECTRICAL CHARACTERISTICS

Frequency operating range :	1 – 2 GHz
Impedance :	50 Ω
VSWR	1.20 max.
Nominal Coupling :	3 dB
Insertion Loss :	0.3 dB max.
Isolation :	25 dB mini
Amplitude Balance :	± 0.5 dB
Phase Balance :	90°±5°
Average Power at 25°C	200W
Peak Power at 25°C	5000W

MECHANICAL CHARACTERISTICS

Connector type :	N female per MIL-C 39012
------------------	--------------------------

ENVIRONMENTAL CHARACTERISTICS

Operating temperature :	-25°C / +70°C
Storage temperature :	-25°C / +70°C