

# Industrial Relay Type RCP Monostable

CARLO GAVAZZI



- 8 or 11-pin socket mounting
- 2 or 3 change over contacts
- Long life (minimum 100.000 electrical operations) @ 10A 250VAC /30VDC resistive load
- AC coils 6 to 230VAC
- DC coils 6 to 110VDC
- Matched sockets available
- Standard with LED, Push arm and Flag
- IP 40
- Conform to CE low voltage directive
- TÜV, UL, CSA, IMQ, RINA (marine) approved

## Product Description

The RCP relay can be used for a wide range of industrial applications.

Available in 2 or 3 change-over contact configuration, Octal or Undecal version.

## Ordering Key

**RCP 8 002 24VDC /1**

Type \_\_\_\_\_  
 No. of pins \_\_\_\_\_  
 Contact code \_\_\_\_\_  
 Coil code \_\_\_\_\_  
 Options \_\_\_\_\_

## Approvals



Box content: 25 relays  
 Box size: (W 215 x D 205 x H 80) mm Weight: 2400g  
 (W 8.46 x D 8.07 x H 3.15) inches Weight: 84.65oz

## Type Selection

Contact configuration	Contact rating	Contact code
2 change over contacts (DPDT {2-form C})	10A	002
3 change over contacts (3PDT {3-form C})	10A	003

## Coil Characteristics, DC

Coil Code	Nominal voltage VDC	@ +20°C (+68°F)		@ +40°C (+104°F)		Coil resistance Ω
		Pick-up voltage VDC	Drop-out voltage VDC	Pick-up voltage VDC	Drop-out voltage VDC	
6VDC	6	4.8	0.6	5.2	0.6	23.5 ±10%
12VDC	12	9.6	1.2	10.3	1.3	120 ±10%
24VDC	24	19.2	2.4	20.7	2.6	470 ±10%
48VDC	48	38.4	4.8	41.4	5.1	1800 ±15%
60VDC	60	48.0	6.0	48.6	6.4	2790 ±15%
100VDC	100	80.0	10.0	86.4	10.8	7500 ±15%
110VDC	110	88.0	11.0	95.0	11.8	7500 ±15%

## Coil Characteristics, AC

Coil Code	Nominal Voltage VAC	@ +20°C (+68°F)		@ +40°C (+104°F)		Coil resistance Ω
		Pick-up voltage VAC	Drop-out voltage VAC	Pick-up voltage VAC	Drop-out voltage VAC	
6VAC	6	4.8	1.8	5.2	1.9	3.9 ±10%
12VAC	12	9.6	3.6	10.3	3.8	16.9 ±10%
24VAC	24	19.2	7.2	20.7	7.7	72 ±10%
48VAC	48	38.4	14.4	41.4	15.5	290 ±15%
115/120VAC	115/120	88.0	36.0	95.0	38.8	1700 ±15%
230VAC	230	176.0	72.0	190.0	77.7	6500 ±15%

Coil operating range: see diagram n° 1 pag. 14

## Options

<b>Nil</b> = Standard with Push Arm -LED (A1+) (A2-)- Flag	<b>/1</b> = Without LED <b>/2</b> = Without Flag	<b>/5</b> = Gilded Contacts Au > 0.5µm
<b>/0</b> = Diode against polarity inversion + free-wheeling Diode (A1+) (A2-)	<b>/3</b> = Without Push Arm <b>/4</b> = Gilded Contacts Au 5µm	<b>/6</b> = Free-Wheeling Diode (A1+) (A2-) <b>/7</b> = Free-Wheeling Diode (A1-) (A2+)

## Contact Characteristics

<b>Arrangement</b>	002 / 003	<b>Current</b>	
<b>Contact rating</b> (with resistive load)	10A - 250VAC / 30VDC	Max. switching current	10A
<b>UL rating</b>	10A - 250VAC / 30VDC 1/3HP @ 240VAC 1/3HP @ 120VAC 1/2HP @ 277VAC	Initial contact resistance	100mΩ (@ 1A 24VDC)
<b>Standard rating</b>	10A - 250VAC / 30VDC	Max. switch. voltage	500VAC / 240VDC
<b>Max. rating</b>	10A - 250VAC / 30VDC	Max. switch. power resistive	2500VA / 300W
<b>Material</b>	AgSnO <sub>2</sub>	<b>Minimum Current</b>	
		Min. applicable load	5mA @ 12VDC 1mA @ 6VDC
		<b>Life</b>	
		Electrical life	1x10 <sup>5</sup> ops
		Mechanical life	1x10 <sup>7</sup> ops

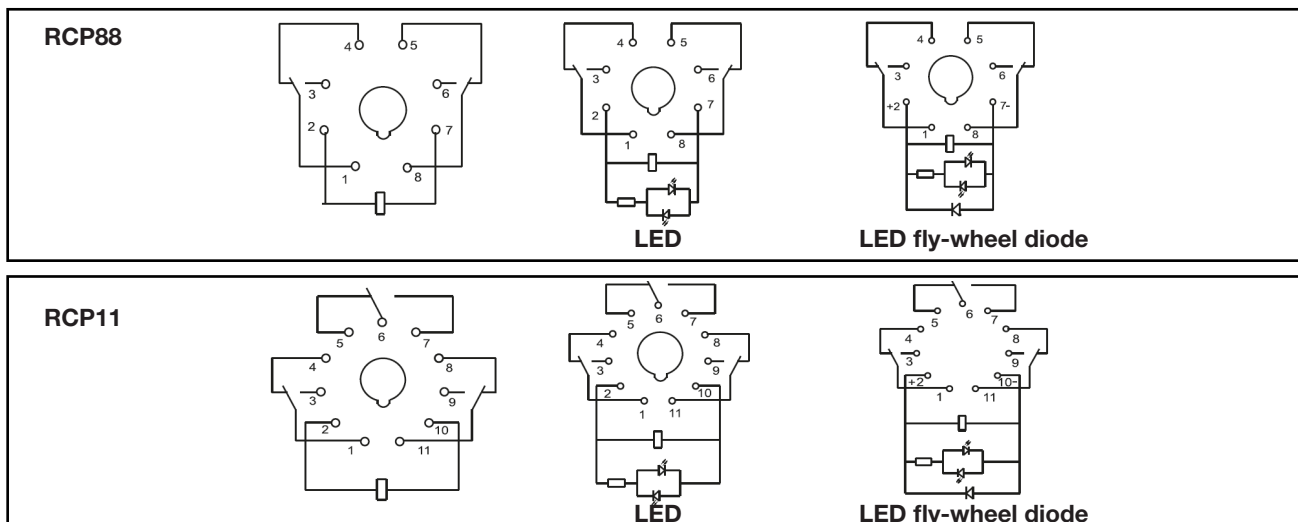
## Insulation

<b>Test Voltage</b> (1 min.) Between coil and contacts Between open contacts Contact/Contact	2500VAC 1500VAC 2000VAC	<b>Insulation according to EN61810-5</b>	
<b>Initial insulation resistance</b>	1000M Ω - 500DC	Rated insulation voltage	250V
		Impulsive insulation voltage	3.6kV
		Pollution degree	2
		Overtoltage category	III

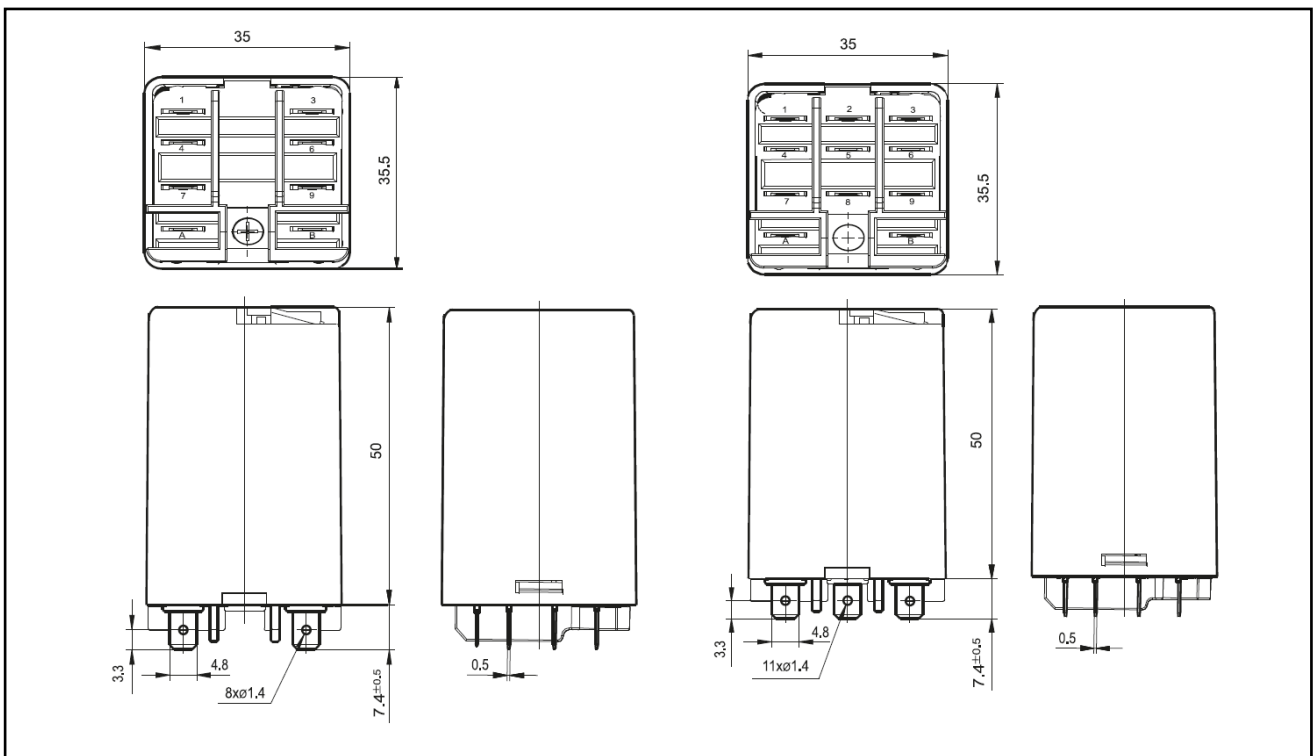
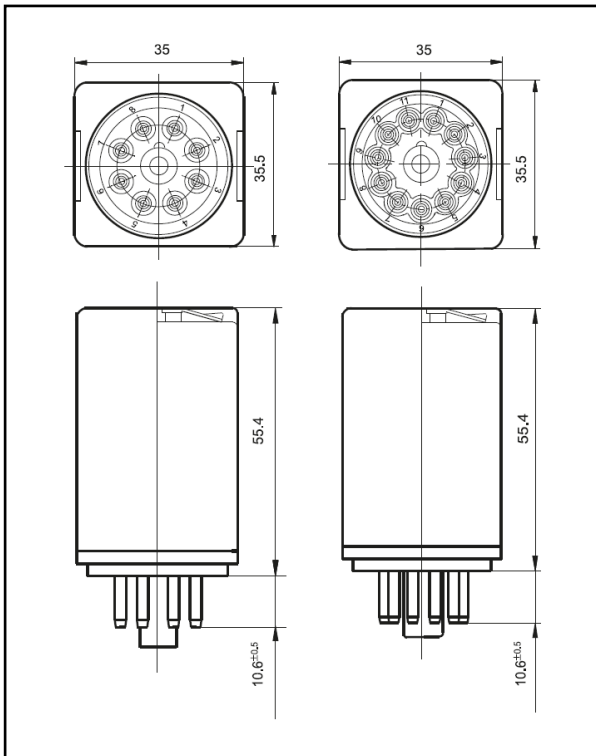
## General Data

<b>Nominal coil power</b>	DC 1.4 W AC 3.0 VA	<b>Shock resistance</b>	
<b>Operating time</b> (At nominal voltage)	25ms max.	Functional	98m/s <sup>2</sup> /10G
<b>Release time</b> (At nominal voltage)	25ms max.	Destructive	980m/s <sup>2</sup> /100G
<b>Temperature rise</b> (At nominal voltage)	+70°C (+44.6°F)	<b>Humidity</b>	98%, +40°C% (+104°F%)
<b>Ambient temperature</b>	-40° to +55°C (-40° to +131°F)	<b>Termination</b>	Octal/Undecal-type plug-in
<b>Vibration resistance</b>	10 to 55Hz 1.5mm (0.059")	<b>Construction</b>	Dust cover
		<b>Weight</b>	~85g (~2.998oz)

## Wiring Diagrams



## Dimensions mm/inches



## Bases and Sockets

DIN rail sockets codes are **ZPD8A**, **ZP11A**, **ZPD8**, **ZPD11**, **ZPD8XA**, **ZPD11XA**, **ZPD9A** and **ZPD12A** details and specifications from page 20 to 27 of industrial relays catalogue.  
 PCB and Panel Soldering sockets codes are **ZC8**, **ZC11** and **ZSN8**, **ZSN11** details and specifications from page 28 to page 29 of industrial relays catalogue.