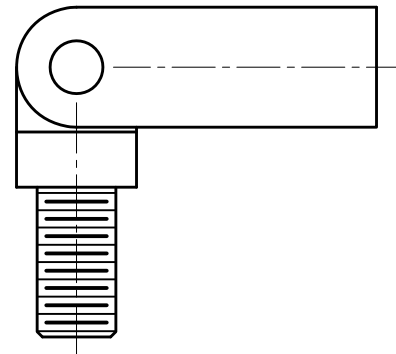
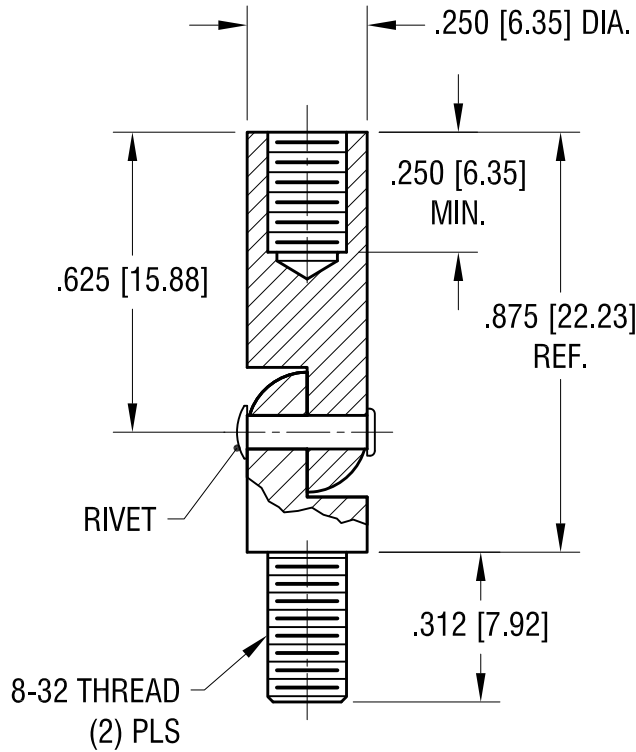
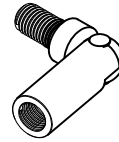


THIS DOCUMENT IS THE PROPERTY OF
KEYSTONE ELECTRONICS CORP. AND
SHALL NOT BE REPRODUCED, DISTRIBUTED
OR USED AS A BASIS FOR MANUFACTURE
WITHOUT PRIOR WRITTEN PERMISSION
FROM KEYSTONE ELECTRONICS CORP.

ACTUAL SIZE



2.03.23	ECN23-014, PLATING WAS ZINC TRIVALENT YELLOW CHROMATE	B
9.08.08	CHANGED AS PER ECN 08-148	A
DATE	DESCRIPTION	REV.

KEYSTONE ELECTRONICS CORP.			
www.keyelco.com • NEW HYDE PARK NY 11040 • Tel (516)328-7500			
PART NAME HINGED STANDOFF, MALE / FEMALE			
MATERIAL BRASS			
FINISH BRIGHT BRASS		DRN BY BOONE	DATE 9.18.95
		APP'D RH	SCALE 2.5X
TOLERANCES DECIMAL ANGULAR UNLESS OTHERWISE SPECIFIED	INCH [MM] ± .005 [± 0.13]	CODE C	DWG NO. 338