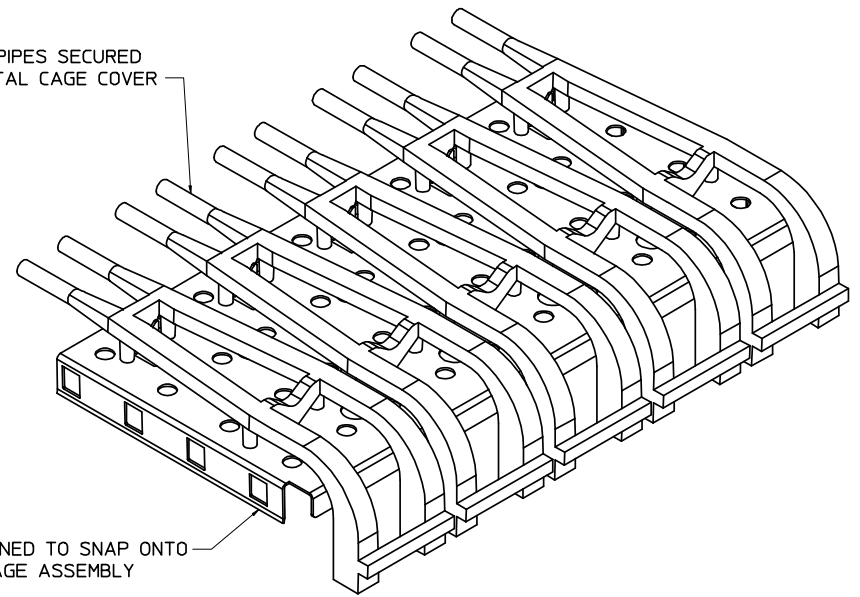
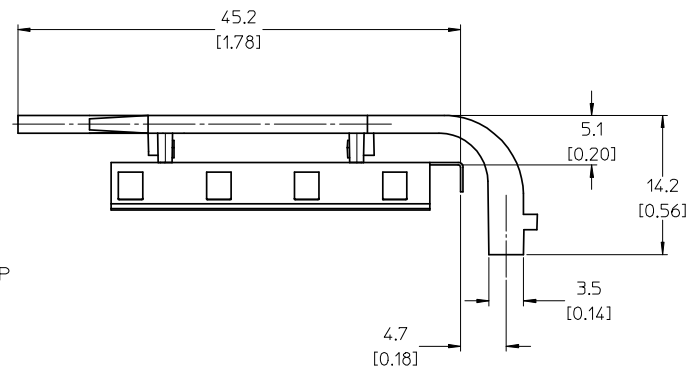
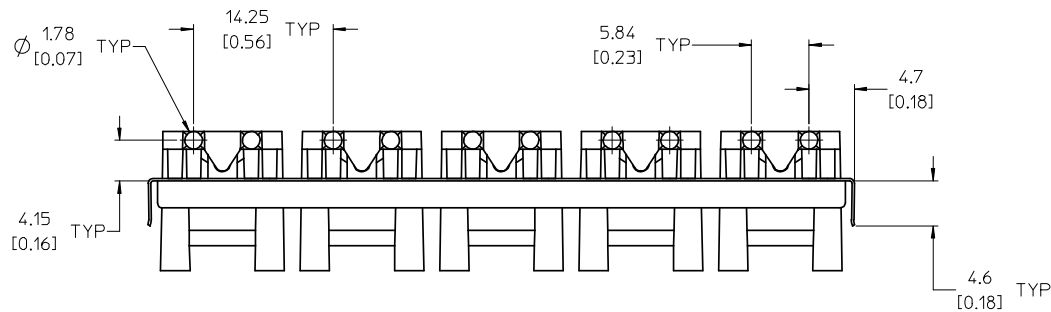


LIGHT PIPES SECURED TO METAL CAGE COVER

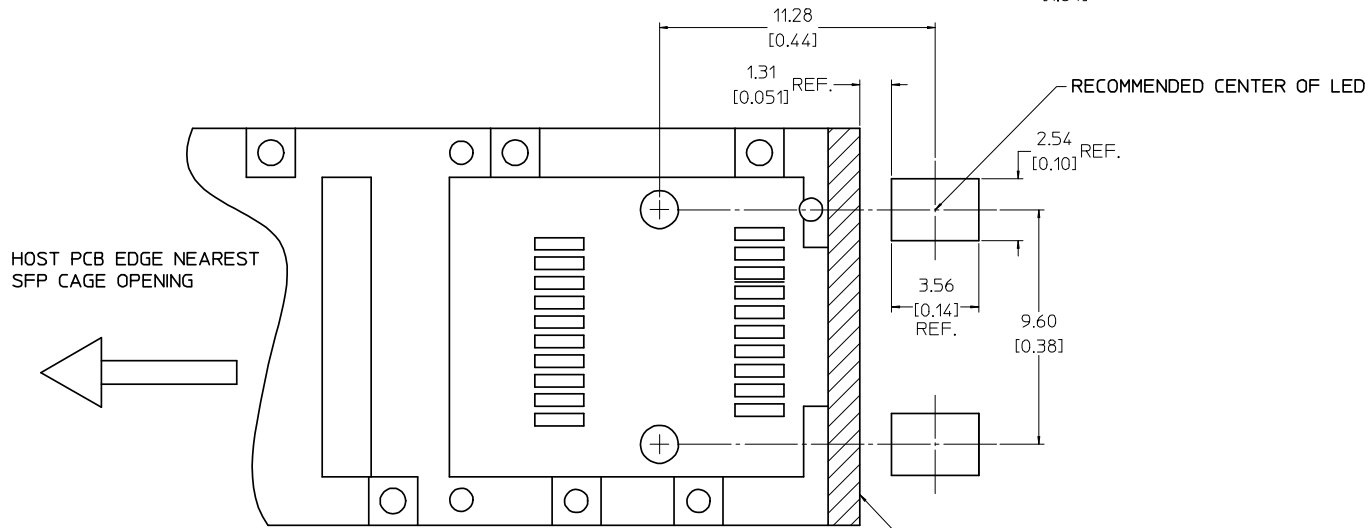
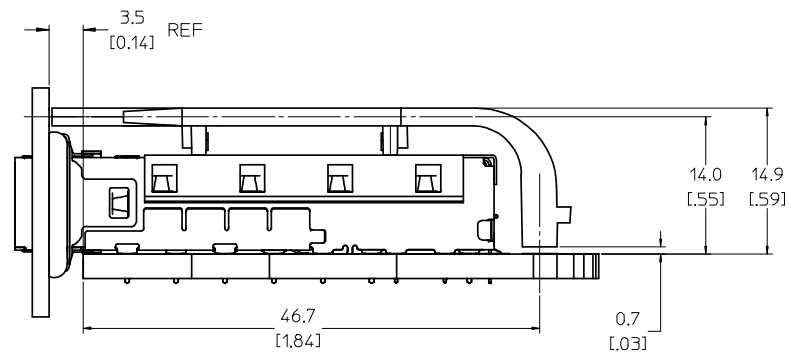
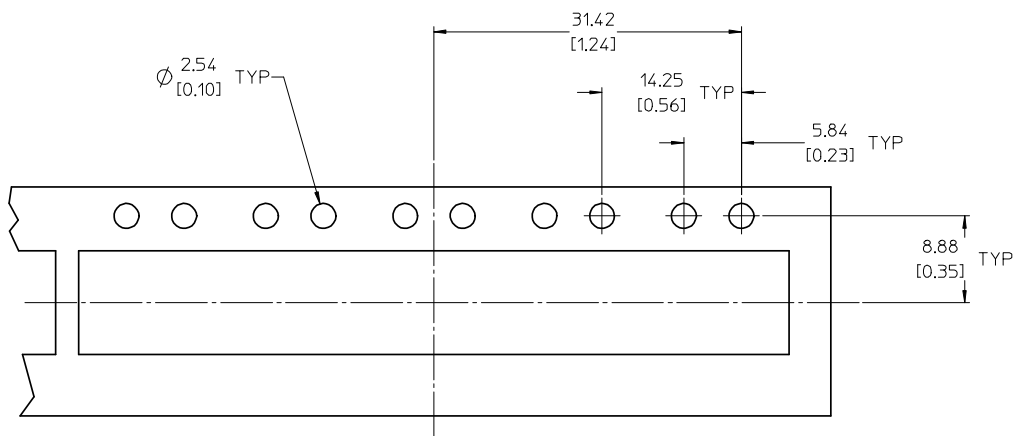


COVER DESIGNED TO SNAP ONTO THE SFP+ CAGE ASSEMBLY



- MATERIAL:
COVER: COPPER ALLOY
LIGHT PIPE: POLYCARBONATE (94-V0 RATED)
- THIS LIGHT PIPE ASSEMBLY IS TO BE USED WITH THE SFP+ 1X5 CAGE ASSEMBLY P/N 7475405**
- THIS PART MEETS THE RESTRICTION OF HAZARDOUS SUBSTANCES IN ELECTRICAL AND ELECTRONIC EQUIPMENT (RoHS) DIRECTIVE 92002/95/EC

ENTER DESCRIPTION IEC NO: USY2008-0444 DRAWN BY: CHYDK JANITA 2008/05/12 APPR: K JANITA 2008/05/13 DESCRIPTION	QUALITY SYMBOLS	GENERAL TOLERANCES (UNLESS SPECIFIED)	DIMENSION STYLE	SCALE	DESIGN UNITS	THIRD ANGLE PROJECTION																		
	$\nabla=0$ $\nabla=0$	<table border="1"> <tr> <th></th> <th>mm</th> <th>INCH</th> </tr> <tr> <td>4 PLACES</td> <td>±---</td> <td>±---</td> </tr> <tr> <td>3 PLACES</td> <td>±---</td> <td>±---</td> </tr> <tr> <td>2 PLACES</td> <td>±0.15</td> <td>±---</td> </tr> <tr> <td>1 PLACE</td> <td>±0.25</td> <td>±---</td> </tr> <tr> <td colspan="3">ANGULAR ± 1°</td> </tr> </table>		mm	INCH	4 PLACES	±---	±---	3 PLACES	±---	±---	2 PLACES	±0.15	±---	1 PLACE	±0.25	±---	ANGULAR ± 1°			MM/IN	4:1	METRIC	<input checked="" type="checkbox"/> THIRD ANGLE <input type="checkbox"/> PROJECTION
		mm	INCH																					
4 PLACES	±---	±---																						
3 PLACES	±---	±---																						
2 PLACES	±0.15	±---																						
1 PLACE	±0.25	±---																						
ANGULAR ± 1°																								
DRAFT WHERE APPLICABLE MUST REMAIN WITHIN DIMENSIONS	DRAWN BY: J. REEVES 2007/12/18 CHECKED BY: A. JOHNSTON 2007/12/19 APPROVED BY: K. MONROE 2007/12/19 MATERIAL NO: 747540052 DOCUMENT NO: SD-74754-0052	TITLE: SFP+ 1X5 LIGHT PIPE ASSEMBLY, CUSTOM MOLEX INCORPORATED SHEET NO: 1 OF 2																						



HOST PCB LAYOUT NOTES (SCALE 10:1)

- LED SHOULD BE PLACED RELATIVE TO THE SFP CONNECTOR POST HOLES
- LAYOUT APPLIES TO EACH PORT

ENTER DESCRIPTION EC NO: USY2008-0444 DRAWN BY: CHYOKI ANOTA 2008/05/12 CHECKED BY: APPR:K JANOTA 2008/05/13 REV DESCRIPTION	QUALITY SYMBOLS ▽=0 ▽=0		GENERAL TOLERANCES (UNLESS SPECIFIED) <table border="1"> <thead> <tr> <th></th> <th>mm</th> <th>INCH</th> </tr> </thead> <tbody> <tr> <td>4 PLACES</td> <td>±0.15</td> <td>±---</td> </tr> <tr> <td>3 PLACES</td> <td>±0.25</td> <td>±---</td> </tr> <tr> <td>2 PLACES</td> <td>±0.38</td> <td>±---</td> </tr> <tr> <td>1 PLACE</td> <td>±0.51</td> <td>±---</td> </tr> </tbody> </table>			mm	INCH	4 PLACES	±0.15	±---	3 PLACES	±0.25	±---	2 PLACES	±0.38	±---	1 PLACE	±0.51	±---	DIMENSION STYLE MM/IN	SCALE 1:1	DESIGN UNITS METRIC	THIRD ANGLE PROJECTION
		mm	INCH																				
	4 PLACES	±0.15	±---																				
	3 PLACES	±0.25	±---																				
2 PLACES	±0.38	±---																					
1 PLACE	±0.51	±---																					
DRAFT WHERE APPLICABLE MUST REMAIN WITHIN DIMENSIONS			MATERIAL NO. 747540052	DATE 2007/12/18	DATE 2007/12/19	TITLE SFP+ 1X5 LIGHT PIPE ASSEMBLY, CUSTOM																	
			SIZE D	APPROVED BY K. MONROE 2007/12/19		MOLEX INCORPORATED																	
			DOCUMENT NO. SD-74754-0052		SHEET NO. 2 OF 2																		