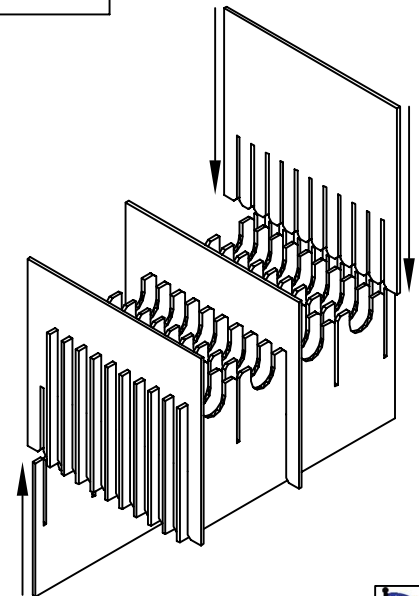
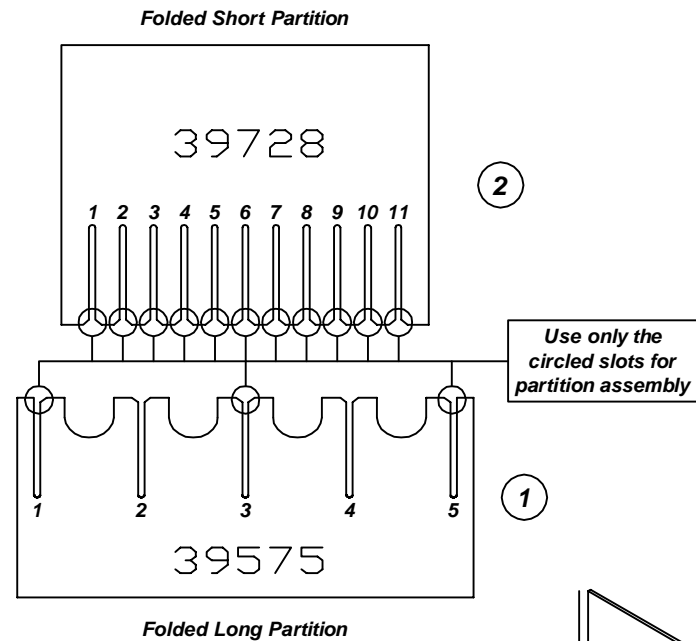
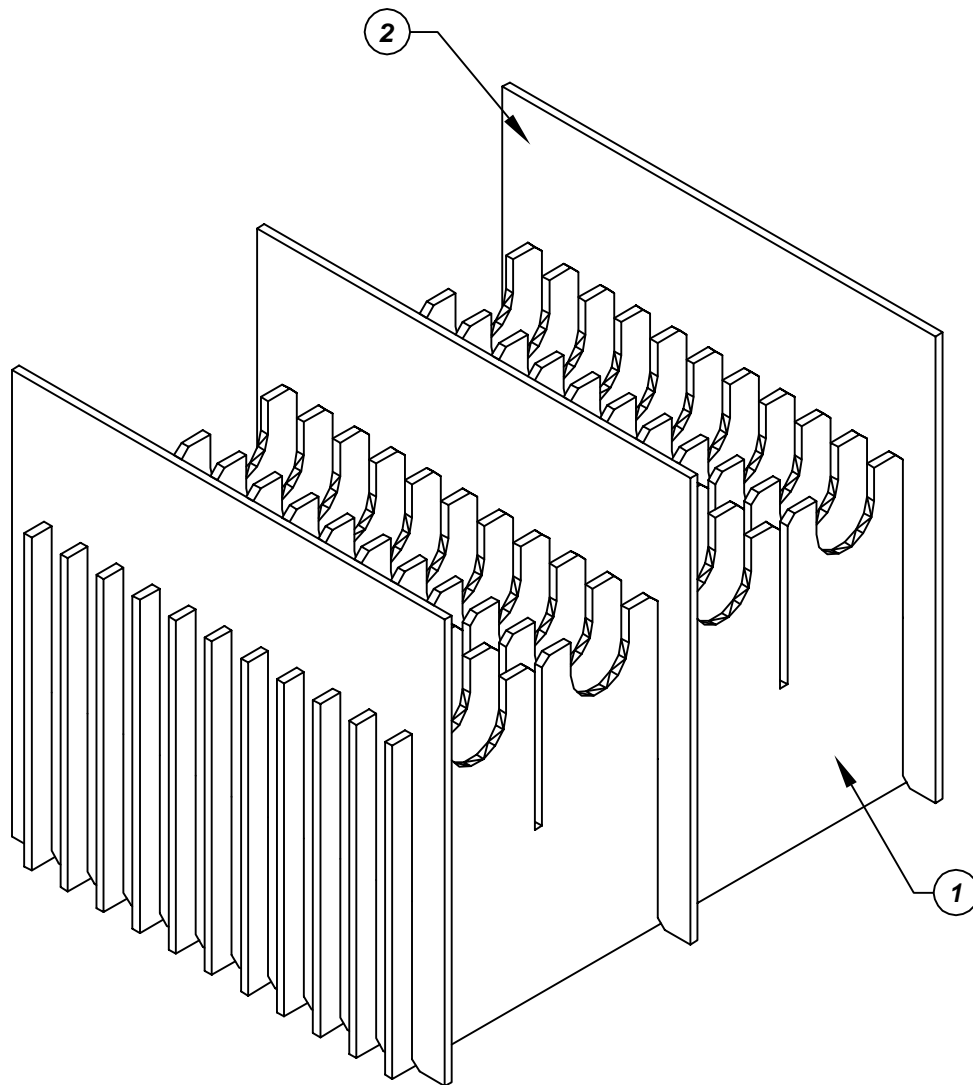


Assembly Instructions for - 37382



Made in America

| | | | | |
|----------|------------------------|---|--|-------------------|
| F/N ① | Part # 39575 | Dimensions: 20-1/4" x 18-5/8" | Description: 460/462/464-LP-20/40 Long Partition | Qty: 11 |
| F/N ② | Part # 39728 | Dimensions: 28-1/4" x 15" | Description: 464-SP-12 Short Partition | Qty: 3 |

37382 - 24 Cell Inplant Handler Cell Size - 14" x 8-1/8" x 1"

Notes:
For use with the following storage container & lid:
37526 - Storage Container
37554 - Lid

PROTEKTIVE PAK
13520 MONTE VISTA AVENUE, CHINO, CA 91710
PHONE (909) 627-2578, FAX (909) 363-7331
ProtektivePak.com



DRAWING NUMBER
IPH-37382

DATE
Dec. 2007