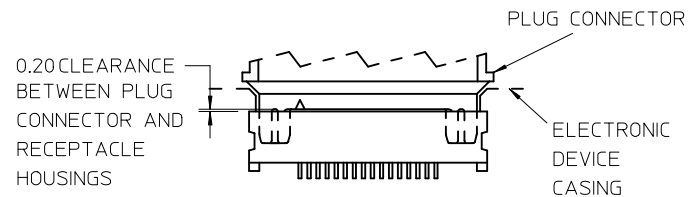
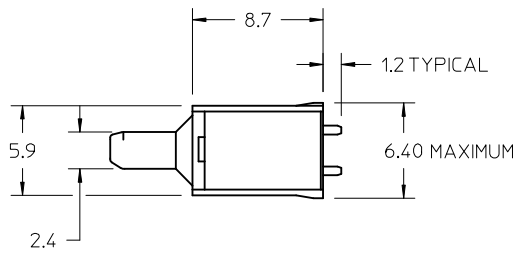
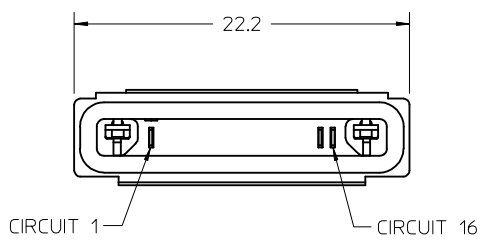


ISOMETRIC VIEW OF 461326000

SHOWN: 463126000

NOTES:

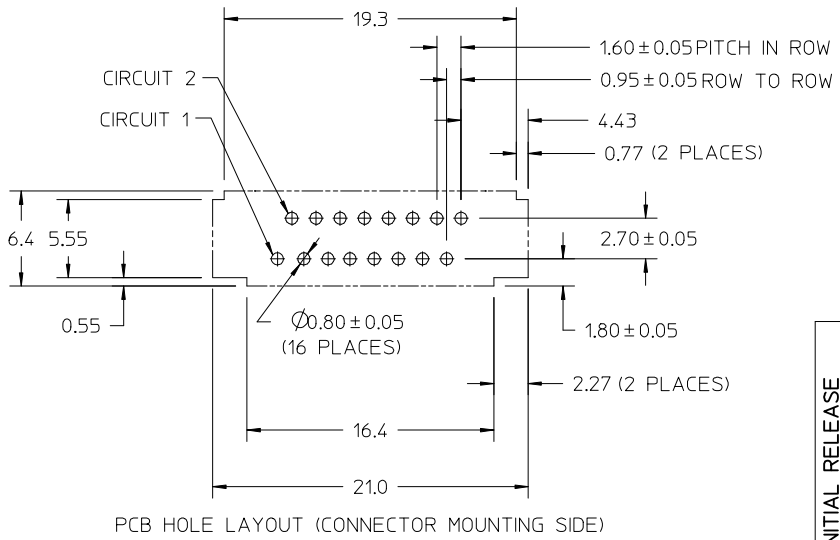
- MATERIALS:
HOUSING: HIGH-TEMPERATURE NYLON, GLASS FILLED, UL94V-0, COLOR: BLACK.
TERMINALS: TIN-BRASS ALLOY.
- FINISHES: SELECTIVE GOLD IN CONTACT AREA; THICKNESS= 0.1 MICROMETERS MINIMUM; OVER SELECTIVE PALLADIUM-NICKEL IN CONTACT AREAS; THICKNESS= 1.0 MICROMETER MINIMUM; SELECTIVE BRIGHT TIN IN SOLDER TAIL AREA; THICKNESS= 1.01 MICROMETERS MINIMUM; NICKEL UNDERPLATE OVERALL.
- PRODUCT SPECIFICATION: PS-46132-001.
- PLEASE REFER TO MOLEX APPLICATION SPECIFICATION AS-44828-001 FOR DETAILED DESIGN LAYOUT AND MATING REQUIREMENTS.
- PACKAGED PER PACKAGING SPECIFICATION PK-45593-001.
- PART COMPLIES WITH CLASS C OF COSMETIC SPECIFICATION PS-45499-002.



RECOMMENDATIONS FOR CONFIGURATION OF MATED CONNECTORS

IMPORTANT: PLEASE REFER TO MOLEX APPLICATION SPECIFICATION AS-44828-001 FOR DETAILED DESIGN LAYOUT AND MATING REQUIREMENTS.

NUMBER OF CIRCUITS	TERMINAL LOCATIONS (PRESENCE DENOTED BY AN X)																ITEM NUMBER
	1	2	3	4	5	6	7	8	9	10	11	12	13	14	15	16	
3	X														X	X	461326000



INITIAL RELEASE EC NO: UCP2009-1816 DRAWN: MORGAN 2009/02/02 CHKD: MIBARRA 2009/02/03 APPR: SMILLER 2009/02/04 REV: A	QUALITY SYMBOLS ▽=0 ▽=0	GENERAL TOLERANCES (UNLESS SPECIFIED) mm INCH 4 PLACES ± --- ± --- 3 PLACES ± --- ± --- 2 PLACES ± 0.10 ± --- 1 PLACE ± 0.13 ± --- ANGULAR ± 1/2°	DIMENSION STYLE MM ONLY DRAWN BY DATE DMORGAN 01/26/2009 CHECKED BY DATE MIBARRA 01/26/2009 APPROVED BY DATE SMILLER 01/26/2009	SCALE 4:1 DESIGN UNITS METRIC THIRD ANGLE PROJECTION	TITLE 0.8MM HANDYLINK™ HIGH LOAD PLUG FOR PCB TERMINATION W/O LATCHES MOLEX INCORPORATED MATERIAL NO. SEE CHART DOCUMENT NO. SD-46132-600	SHEET NO. 1 OF 1
	DRAFT WHERE APPLICABLE MUST REMAIN WITHIN DIMENSIONS		THIS DRAWING CONTAINS INFORMATION THAT IS PROPRIETARY TO MOLEX INCORPORATED AND SHOULD NOT BE USED WITHOUT WRITTEN PERMISSION			