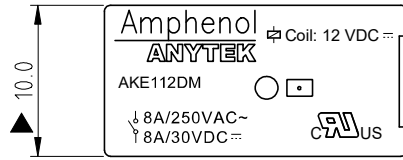


RoHS Compliant

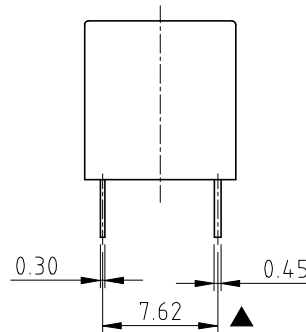
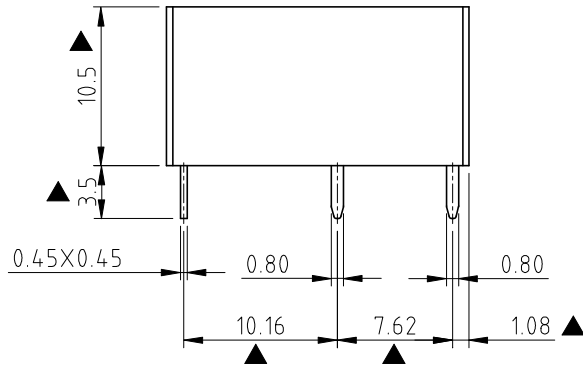
REV	SIGN	DATE	DESCRIPTION	APPROVER
A0		2021.03.08	Initial Release	LENA

THIS IS CAD DRAWING, DO NOT REVISE MANUALLY!!!



COIL SPECIFICATION

- Coil Nominal Voltage: 12V DC
- Coil Nominal Current: 16.7mA
- Coil Resistance: 720Ω ±10%
- Coil Power Consumption: Abt. 0.2W
- Pull-In Voltage(VDC): 9V Max
- Drop-Out Voltage(VDC): 0.6V Min
- Maximum Allowable Voltage: 18V
- Operate Time: 8 mSec. Max.
- Release Time: 6 mSec. Max.



CONTACT RATING

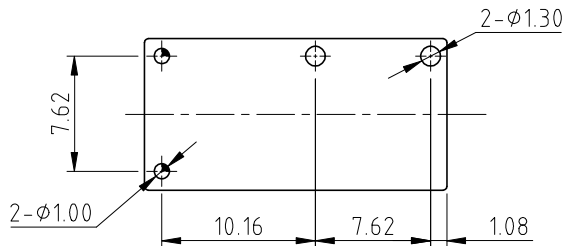
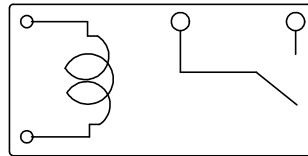
- Rated Load(Resistive): 8A 250V AC / 8A 30V DC
- Max. Allowable Voltage: AC 440V / DC 30V
- Max. Allowable Current: 8A
- Max. Allowable Power Force: 2000VA 240W
- Contact Material: Ag Alloy
- Contact Form: SPST

ELECTRICAL

- Dielectric Strength:
 - Between Coil & Contact: 4,000V AC (50/60 Hz for 1 minute)
 - Between Contact: 1,000V AC (50/60 Hz for 1 minute)
- Contact Resistance: 100mΩ Max. at 1A, 6V DC
- Insulation Resistance: 100MΩ Min at 500V DC

MECHANICAL

- Life Expectancy(Operations):
 - Electrical: 1 x 10⁸ operations at Rated Resistive load
 - Mechanical: 1 x 10⁷ operations at No Resistive load
- Operating Temperature: -40°C ~ 85°C
- Safety Approval: UL



P.C.B. LAYOUT
Bottom View

Part No. AKE 1 12 D M 00G

- Contact Form
M : One Form A
- Coil Type
D : Standard DC Coil
- Coil Voltage:
12: 12V(VDC)
- Number of pole,
1: One Pole
- TYPE : AKE

Amphenol
ANYTEK

CUSTOMER COPY

ALL RIGHTS RESERVED. REPRODUCTION OR ISSUE TO THIRD PARTIES IN ANY FORM WHATSOEVER IS NOT PERMITTED WITHOUT WRITTEN AUTHORITY FROM THE PROPRIETOR. PROPERTY OF ANYTEK TECHNOLOGY CO., LTD

TITLE		AKE Series Relay, 12V DC			DWG NO.		8AKE0007	
PART NO.		AKE112DM00G			CUST NO.			
APPROVED	CHECKED	DESIGNED	DRAWN	Tolerance				
		LENA	LENA	X. ±0.50				
		2021.03.08	2021.03.08	X.X ±0.30				
				UNIT: mm		X.XX ±0.10		
				SCALE: 2:1		X° ±1°		
				SHEET: 01/01		REV.: A0		