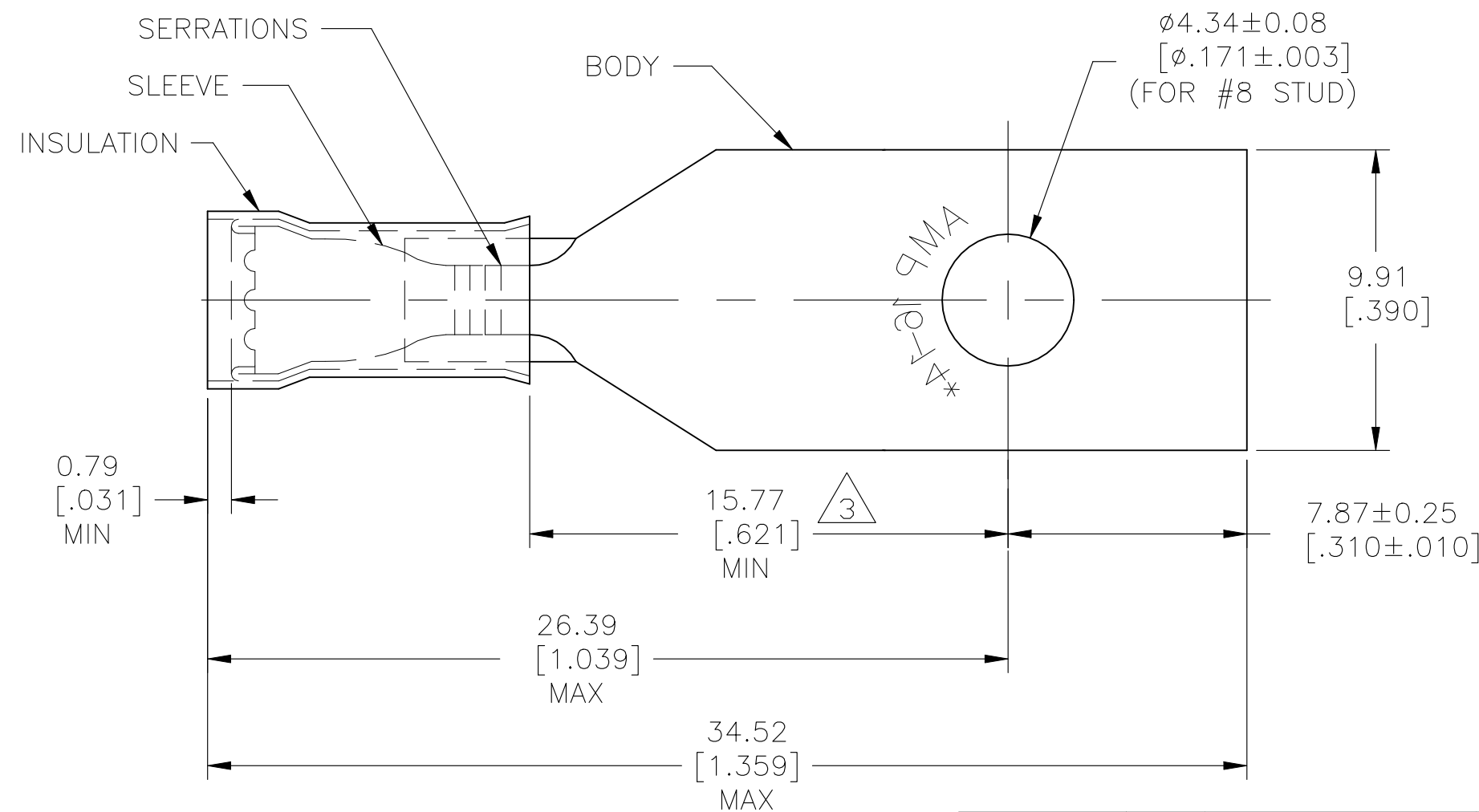


© - TE Connectivity. All Rights Reserved.

REVISIONS				
P	LTR	DESCRIPTION	DATE	APVD
	J3	REVISED PER ECN-22-156403	03JUN2022	RK CSD



- 1 TONGUE MATERIAL THK: 0.79 ± 0.05 [.031 ± .002]
- 2 FOR "A" TO "B" WIRE INSULATION DIA.
- 3 APPLIES FROM THE METAL EDGE OF THE BARREL TO THE CENTER OF THE STUD
- 4 MEETS MS17143-2, CLASS 1

QTY	DESCRIPTION	MATERIAL AND FINISH	PART NO
1	WIRE TERMINAL	INSULATION: NYLON (ASTM-D4066) TYPE 1 COLOR: BLUE BODY & SLEEVE: COPPER (ASTM-B152) TIN PL (ASTM-B545)	2-327934-1
1	2-327934-2 ON TAPE	INSULATION: NYLON COLOR: BLUE	2-327934-3
1	WIRE TERMINAL	SLEEVE: COPPER (ASTM-B152) BODY: COPPER (ASTM-B152) TIN PL (ASTM-B545)	4 2-327934-2
1	WIRE TERMINAL	TIN PL (ASTM-B545)	327934

2-327934-2	4 2-327934-3	2.67 [.105]	3.81 [.150]	
2-327934-1	-	2.92 [.115]	4.32 [.170]	OBSOLETE
327934	-	2.92 [.115]	4.32 [.170]	OBSOLETE
PART NO	PART NO ON TAPE	"A"	"B"	

THIS DRAWING IS A CONTROLLED DOCUMENT.

DWN RAGHAVENDRA 01SEP09	 TE Connectivity
CHK JEFF RUTH 01SEP09	
APVD TOM MICHIELUTTI 01SEP09	
NAME	
PRODUCT SPEC	WIRE TERMINAL, PIDG, RECTANGULAR TONGUE, WIRE SIZE: 16-14
APPLICATION SPEC	
WEIGHT -	SIZE A3 CAGE CODE 00779 DRAWING NO C-327934 RESTRICTED TO -
MATERIAL SEE TABLE	CUSTOMER DRAWING SCALE 5:1 SHEET 1 OF 1 REV J3