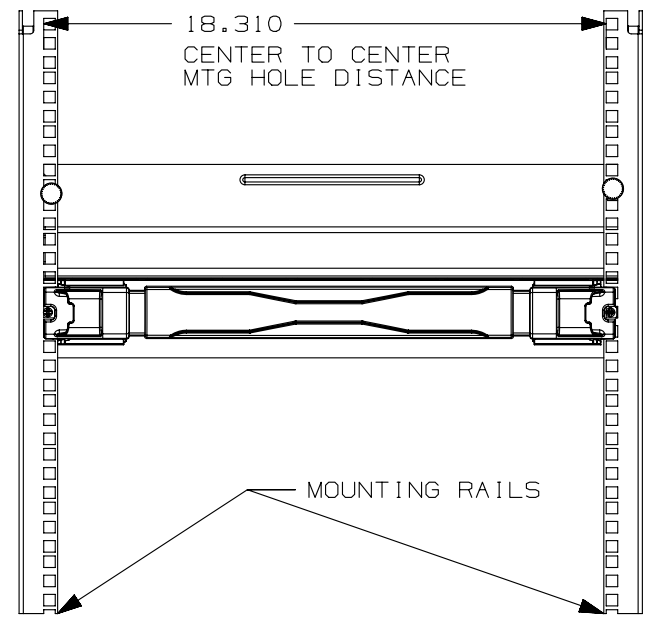


THIS COPY IS PROVIDED ON A RESTRICTED BASIS AND IS NOT TO BE USED IN ANY WAY DETRIMENTAL TO THE INTERESTS OF PANDUIT CORP.



FIGURES DEPICT
PRODUCT NEAR
FULL RETRACTION
OF SHADE

NOTES:

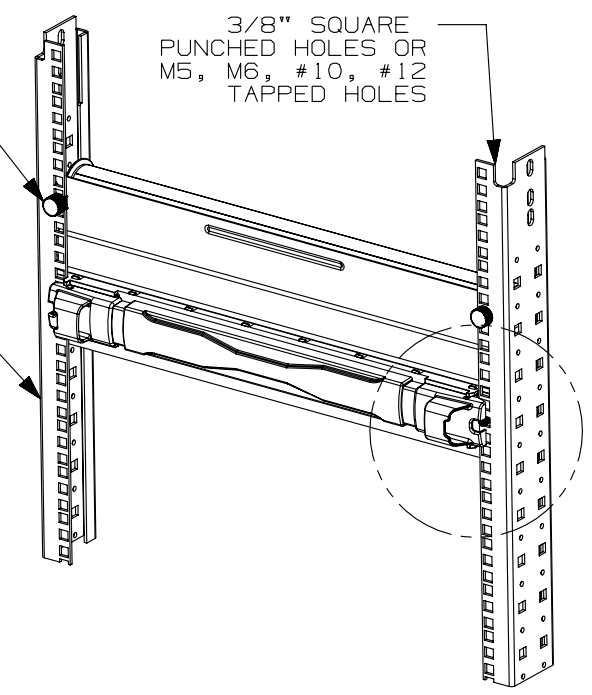
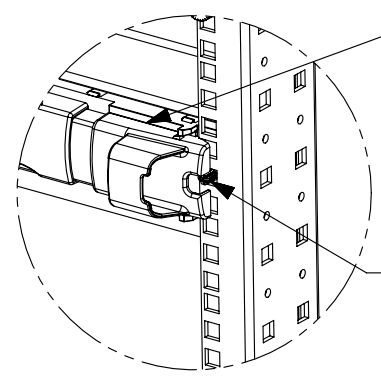
1. MAX TEMPERATURE RATING OF PRODUCT IS 50°C (122°F) CONTINUOUS; 70°C (158°F) INTERMITTENT
2. SHADE FABRIC IS STATIC DISSIPATIVE.
3. MINIMUM RACK UNIT TO BE BLANKED IS 4RU; MAXIMUM RACK UNIT TO BE BLANKED IS 51RU
4. PRODUCT TO BE USED WITH MOUNTING RAILS THAT HAVE 3/8" SQUARE PUNCHED HOLES, AND FOR RACKS WITH M5, M6, #10 OR #12 THREADED HOLES.
5. PRODUCT MAY BE USED WITH 11ga - 14ga THICK STEEL OR UP TO .185" THK ALUMINUM MOUNTING RAILS.
6. SHADE IS INSTALLED FROM BACK OF MOUNTING RAIL.
7. REFER TO PANDUIT WEBSITE FOR INSTALLATION INSTRUCTIONS.
8. PRODUCT IS RoHS COMPLIANT.

THREADED KNOBS FOR
MOUNTING OF UPPER
HOUSING (2 PLACES)

11ga - 14ga
(0.120 - 0.075)
AND EXTRUDED ALUM
UP TO 0.185"

LATCH SLIDES HORIZONTALLY
TO ENGAGE MOUNTING RAILS. ALLOWS
QUICK ADJUSTMENT OF BOTTOM PULL
TO ADD OR REMOVE EQUIPMENT IN
CABINET OR RACK.

REPLACE SQUARE HOLE PIN WITH
ROUND HOLE PIN FOR RACKS WITH
TAPPED HOLES. REMOVE RETAINERS
FROM BACK OF SHADE, CHANGE
PINS AND REPLACE RETAINERS.



B

B

A

A

TITLE		FULL LENGTH BLANKING SHADE (FLBSIM-51)	
ITEM REVISION NAME		CUSTOMER DRAWING	
DATASET FILE NAME		13K003AD/00	
		13K003AD_DC_C11482/00A	
UNLESS OTHERWISE SPECIFIED, DIMENSIONAL TOLERANCES ARE: IN (mm)		MATERIAL:	
.x ± .1 [2.54] .xxx ± .005 [.127]			
.xx ± .01 [.25] ANGLES ± 5 °		DRAWING NUMBER: C11482	
THIRD ANGLE PROJECTION			
DRAWN BY	DATE	CHK	SCALE
DFA	9/17/14	KLN	NONE
SHT 1 OF 1			SIZE A

0	10/1/14	DFA	DJW	KLN	INITIAL RELEASE	GAECN02077
REV	DATE	BY	CHK	APR	DESCRIPTION	ECN