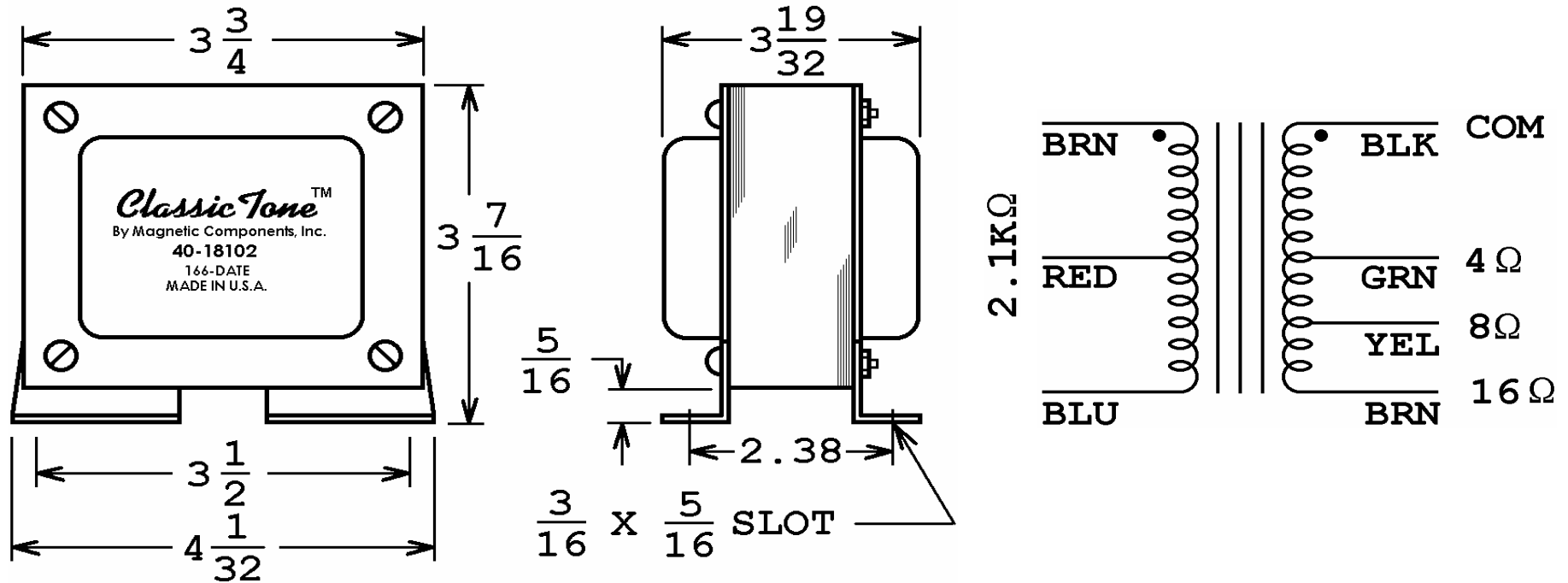


40-18102

This drawing is the property of Magnetic Components, Inc. and shall not be reproduced, in whole or in part, without the written permission of Magnetic Components, Inc.

REVISIONS			
LTR	DESCRIPTION	DATE	APPROVED

NOTE: SAME AS 40-18013 EXCEPT MOUNTING



UNLESS OTHERWISE SPECIFIED ALL DIMENSIONS IN INCHES DO NOT SCALE DRAWING FRACTIONS +/- .X = +/- .XX = +/- .XXX = +/- ANGLES = +/-	SIGNATURES		DATE	MAGNETIC COMPONENTS, INC.		DIV : LOC : SCHILLER PK	
	DRAWN : <i>[Signature]</i>		07 MAY 2014	TITLE 100W OUTPUT			
	CHECK :						
	APPR : <i>[Signature]</i>		07 MAY 2014	CAGE 50508	SIZE A	PART No. 40-18102	REV -
			SCALE NONE				SHEET :