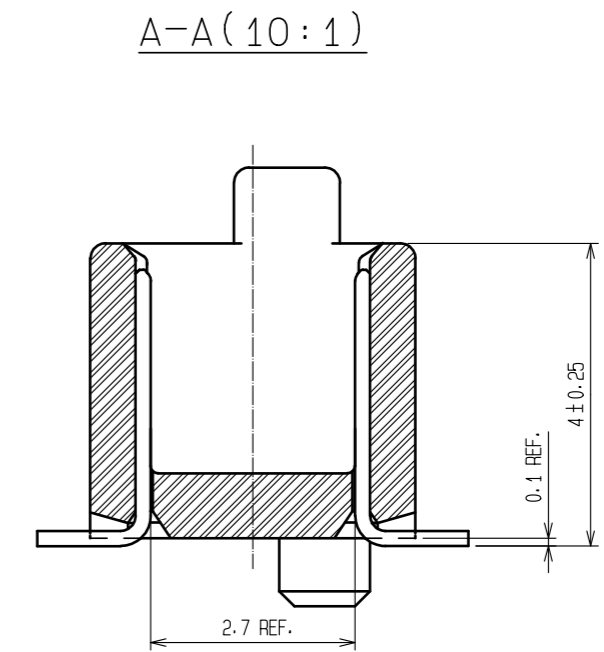
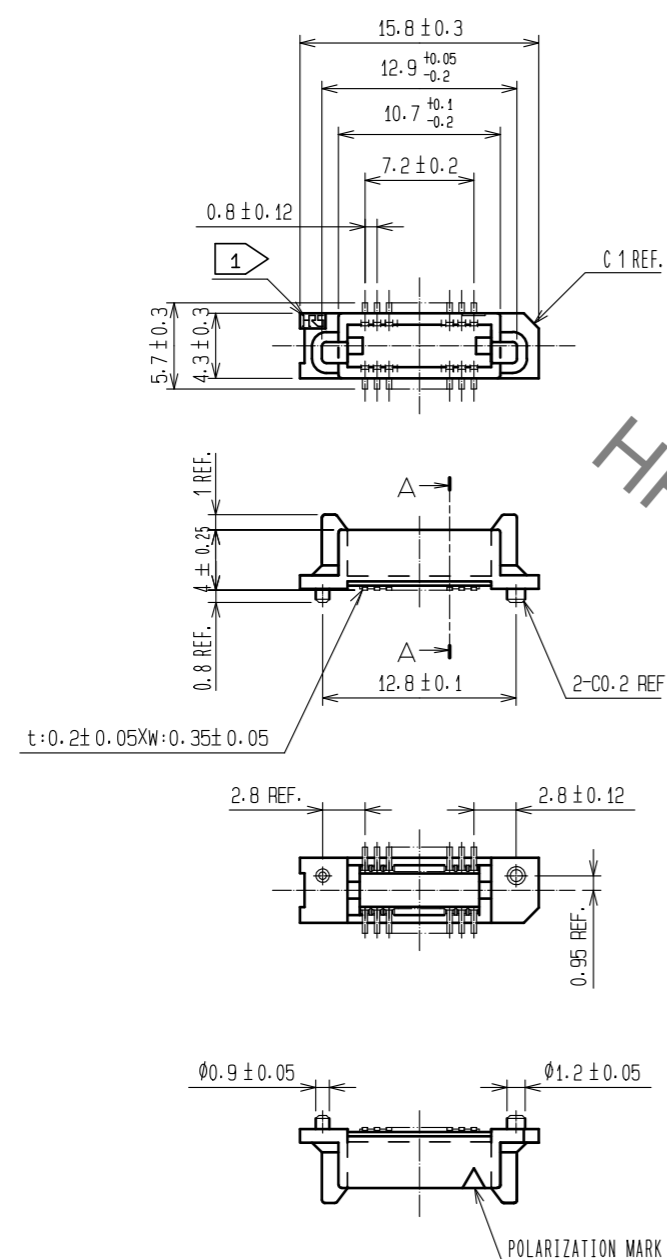
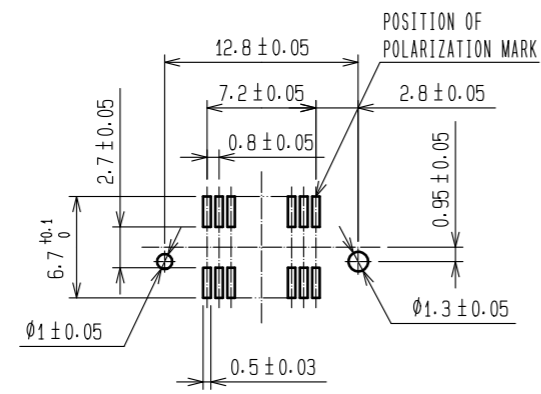


May.1.2023 Copyright 2023 HIROSE ELECTRIC CO., LTD. All Rights Reserved.
In case of consideration for using Automotive equipment / device which demand high reliability, kindly contact our sales window correspondents.



RECOMMENDED P. C. B LAND PATTERN (MOUNT SIDE)
(RECOMMENDED METAL MASK THICKNESS: t=0.15)

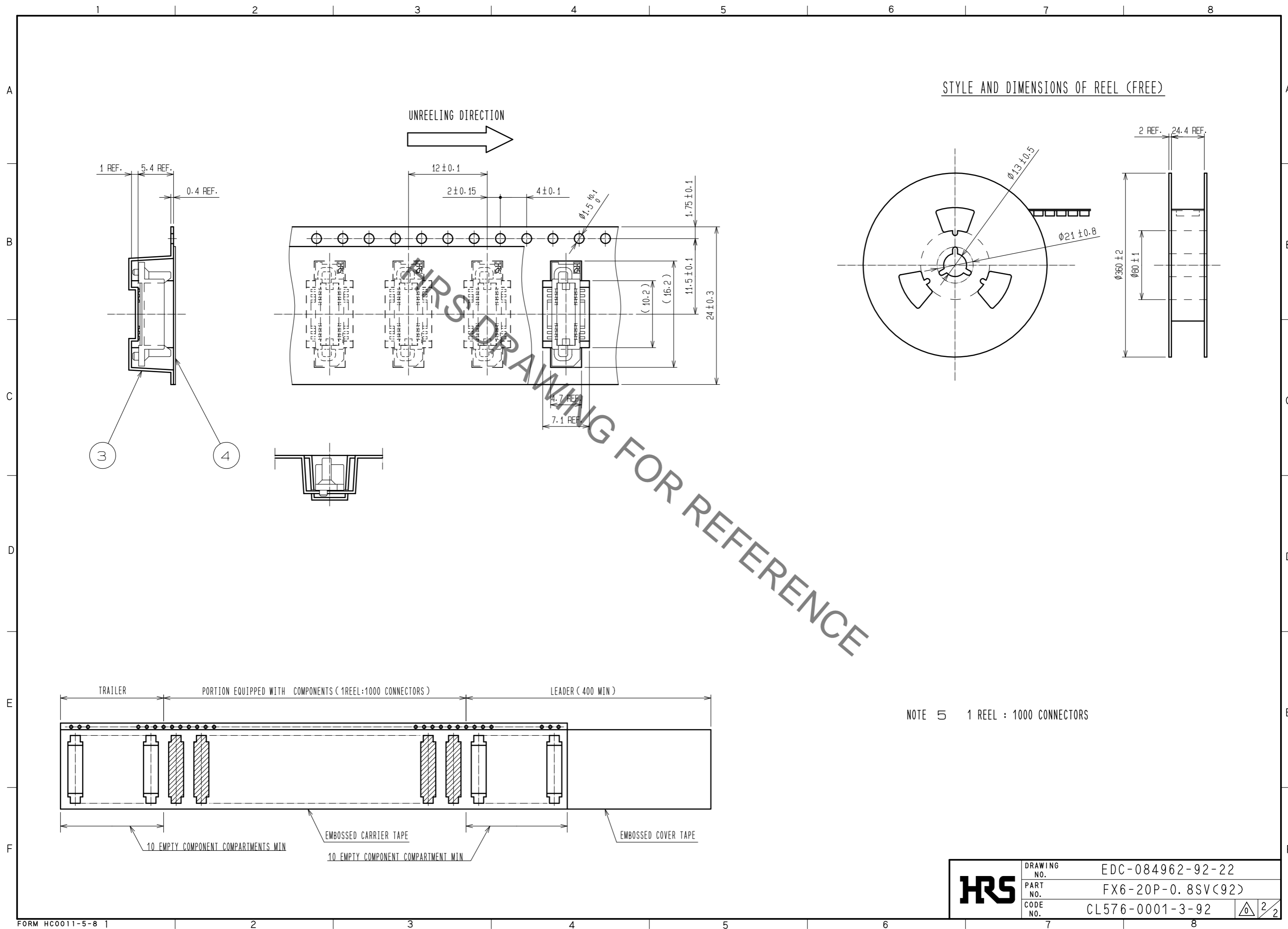


- NOTE
- 1 HRS MARK SHALL BE OPTIONL.
 - 2 LEAD CO-PLANARITY SHALL BE 0.1 MAX.
 - 3 EMBOSSED CARRIER TAPE PACKAGING SHALL BE APPLIED FOR THIS PRODUCT.
 - 4 FOR MODIFICATION, ETC. PREVENTIVE HOLE FOR SINK MARK MAY BE ADDED ACCORDING TO CIRCUMSTANCES.

NO.	MATERIAL	FINISH . REMARKS	NO.	MATERIAL	FINISH . REMARKS
1	POLYPHENYLENE SULFIDE	LIGHT BROWN UL94V-0	2	PHOSPHOR BRONZE	CONTACT AREA:GOLD 0.1 μm MIN LEAD AREA:GOLD 0.05 μm MIN UNDER PLATING:NICKEL 1 μm MIN
3	POLYSTYRENE		4	POLYESTER	COVER TAPE
					EMBOSSED CARRIER TAPE

UNITS	SCALE	COUNT	DESCRIPTION OF REVISIONS	DESIGNED	CHECKED	DATE
mm	2 : 1	△				
APPROVED : HS. OKAWA			15.07.17	DRAWING NO. EDC-084962-92-22		
CHECKED : HT. YAMAGUCHI			15.07.17	PART NO. FX6-20P-0.8SV(92)		
DESIGNED : MT. ITANO			15.07.17	CODE NO. CL576-0001-3-92		
DRAWN : KN. YAMAZAKI			15.07.16	1/2		

May.1.2023 Copyright 2023 HIROSE ELECTRIC CO., LTD. All Rights Reserved.
 In case of consideration for using Automotive equipment / device which demand high reliability, kindly contact our sales window correspondents.



STYLE AND DIMENSIONS OF REEL (FREE)

NOTE 5 1 REEL : 1000 CONNECTORS

HRS	DRAWING NO.	EDC-084962-92-22
	PART NO.	FX6-20P-0.8SV(92)
	CODE NO.	CL576-0001-3-92
		\triangle 2/2