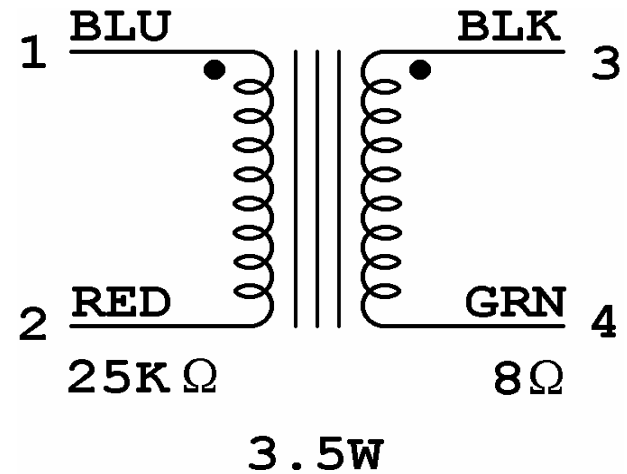
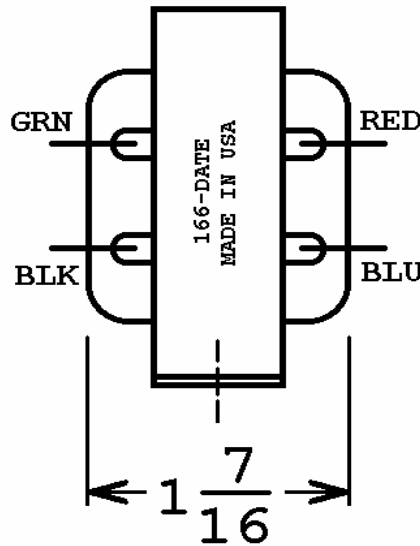
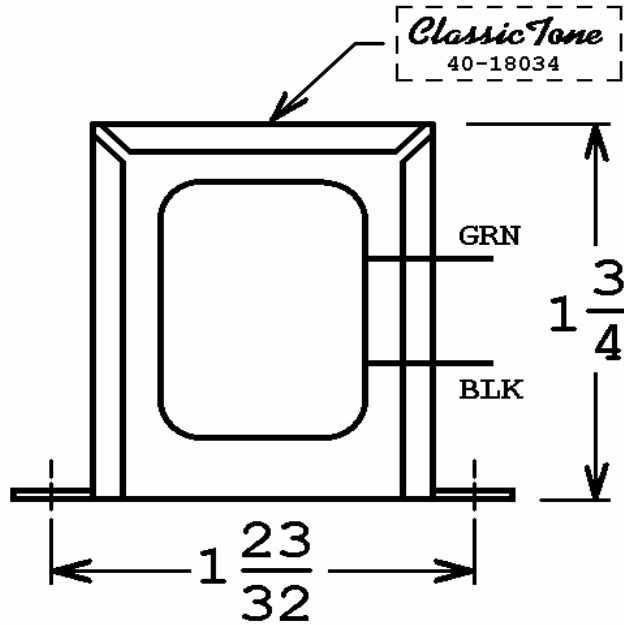


40-18034

This drawing is the property of Magnetic Components, Inc. and shall not be reproduced, in whole or in part, without the written permission of Magnetic Components, Inc.

REVISIONS			
LTR	DESCRIPTION	DATE	APPROVED
A	ADD ClassicTone	01/08/10	M. Sacketti



FENDER P/N :
022921

UNLESS OTHERWISE SPECIFIED		SIGNATURES		DATE	MAGNETIC COMPONENTS, INC.		DIV : LOC : SCHILLER PK		
ALL DIMENSIONS IN INCHES DO NOT SCALE DRAWING		DRAWN : <i>M. Sacketti</i>		17 SEP 09	TITLE REVERB DRIVER				
CHECK :		APPR : <i>M. Sacketti</i>		17 SEP 09	CAGE	50508	SIZE	PART No.	REV
FRACTIONS +/-							A	40-18034	A
.X = +/-					SCALE	NONE	SHEET :		
.XX = +/-									
.XXX = +/-									
ANGLES = +/-									